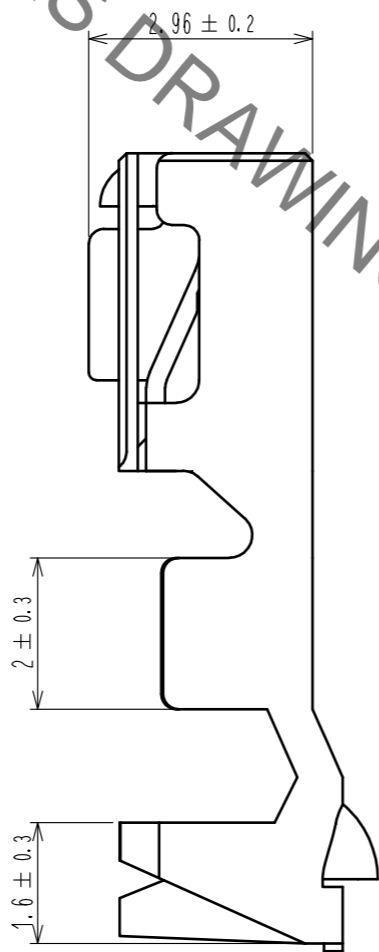
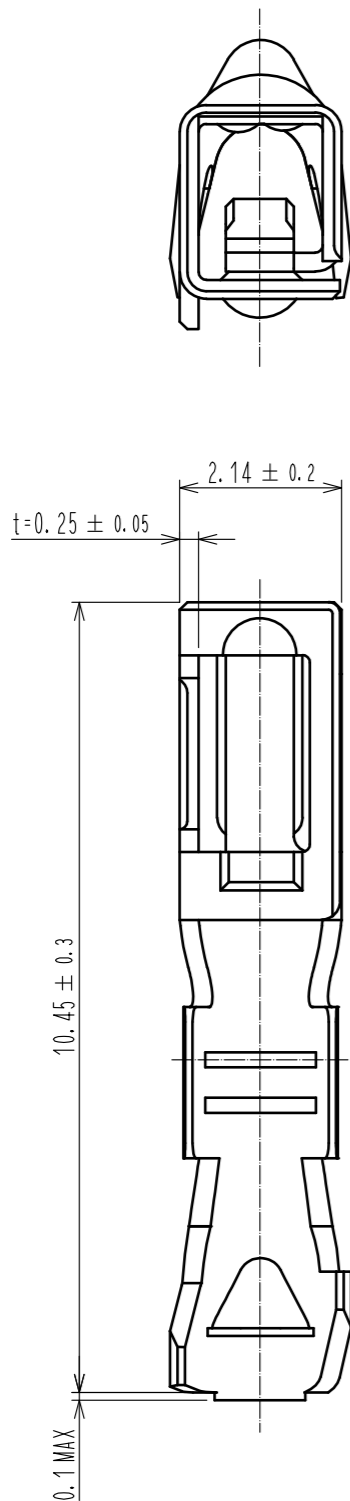
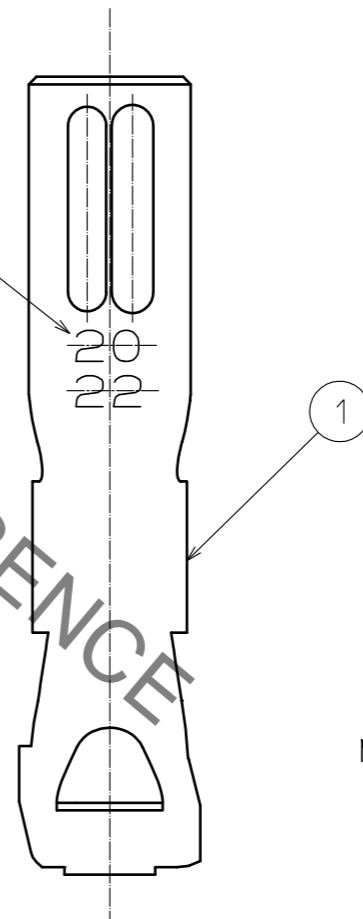


Sep.1.2021 Copyright 2021 HIROSE ELECTRIC CO., LTD. All Rights Reserved.  
In case of consideration for using Automotive equipment / device which demand high reliability, kindly contact our sales window correspondents.



Applicable cable marking



Note 1. Per pack:100 pieces.

HRS DRAWING FOR REFERENCE

NO.	MATERIAL	FINISH . REMARKS	NO.	MATERIAL	FINISH . REMARKS		
1	Copper alloy				Tin plating 1 $\mu$ m MIN		
UNITS	SYMBOL	SCALE	COUNT	DESCRIPTION OF REVISIONS	DESIGNED	CHECKED	DATE
mm		10:1					
<b>HRS</b> HIROSE ELECTRIC CO., LTD.		APPROVED : SJ. OKAMURA	20210513	DRAWING NO. EDC-393066-00-00			
		CHECKED : SZ. ONO	20210513	PART NO. DF63A-2022SC			
		DESIGNED : TS. KUMAZAWA	20210513	CODE NO. CL0680-0649-0-00			
		DRAWN : TS. KUMAZAWA	20210513			1/1	