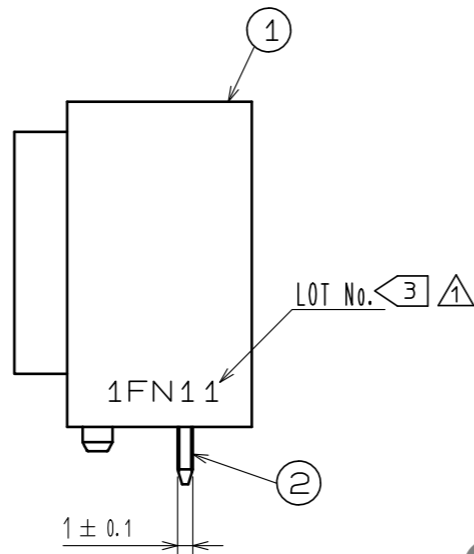
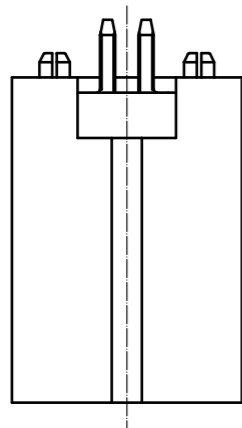
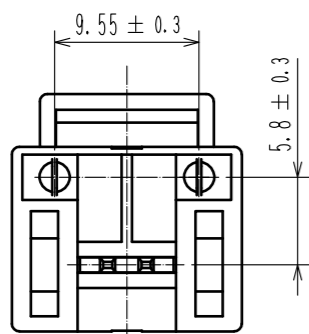
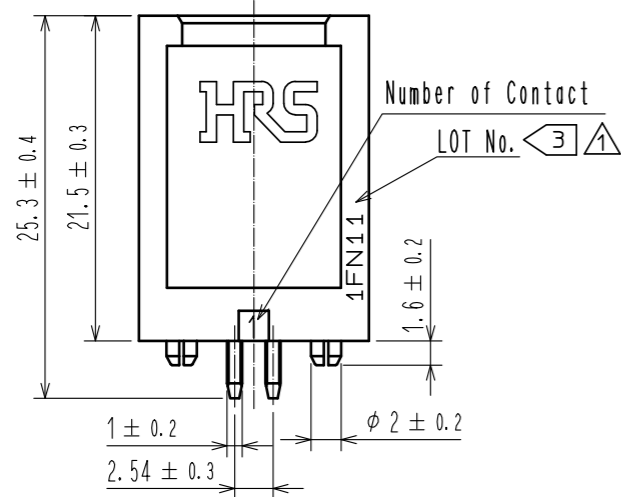
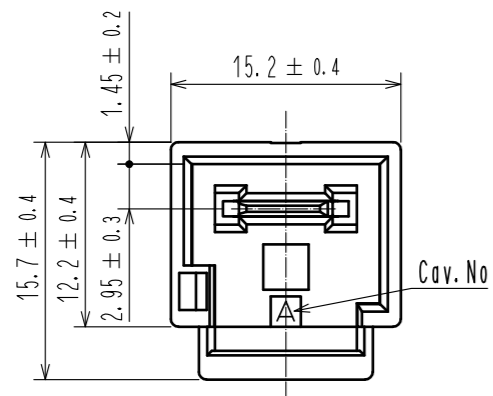
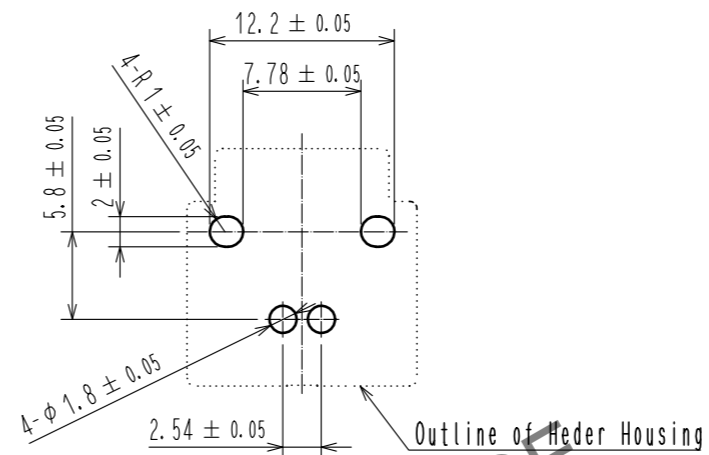


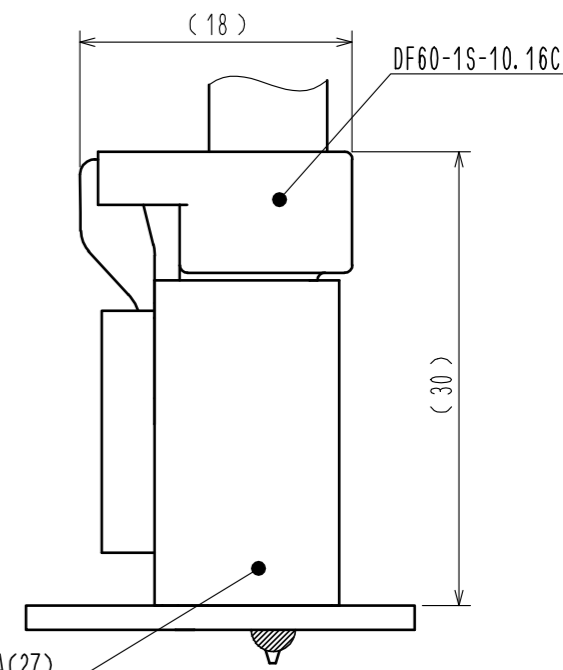
Apr.1.2026 Copyright 2026 HIROSE ELECTRIC CO., LTD. All Rights Reserved.
In case of consideration for using Automotive equipment / device which demand high reliability, kindly contact our sales window correspondents.



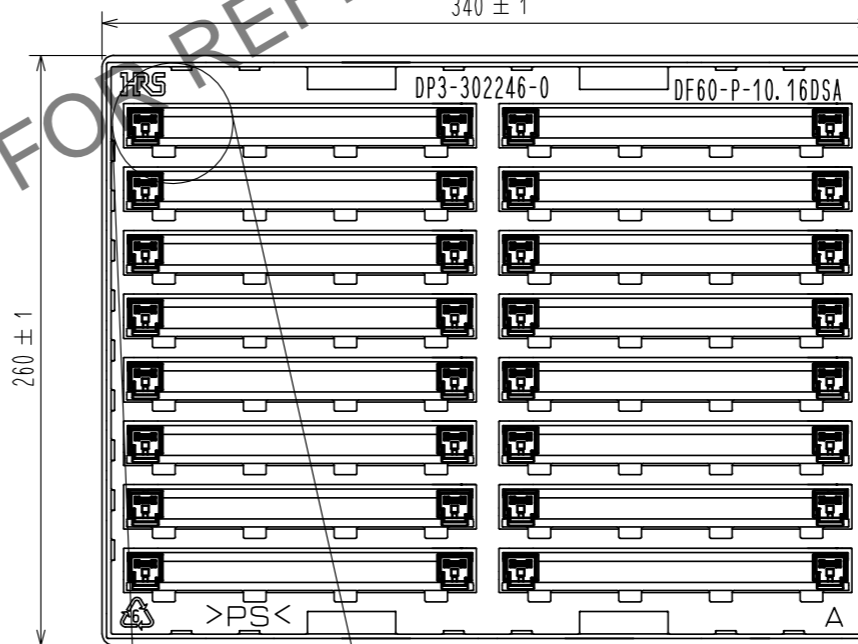
Recommended PCB Layout
(Board thickness: t=1.6±0.1mm)



Application Diagram



Packing Diagram (FREE)
340 ± 1



- Notes 1. Per tray : 160 Pieces.
2. UL(File No. E52653)
C-UL(File No. E52653)
TUV (Certificate No. R50244085) authorization article.



<1> <3> Lot No. is displayed in one of the two locations.

| | | | | | | | |
|--------------------------------------|--------------|----------------------------------|----------------------------------|--|--|-------------------|------------------|
| 1 | PBT | Black, UL94-V0 | 3 | PS | Clear | | |
| 2 | Copper Alloy | | 2 | Copper Alloy | Contact Area : Au Plating 0.2μm min LEAD Area : Tin Plating 1μm min Under Plating : Ni Plating 1μm min | | |
| NO. | MATERIAL | FINISH . REMARKS | NO. | MATERIAL | FINISH . REMARKS | | |
| UNITS mm | | SCALE 2 : 1 | COUNT 3 | DESCRIPTION OF REVISIONS DIS-H-00012301 | DESIGNED TS.MIYAKI | CHECKED SZ.ONO | DATE 20220217 |
| HRS HIROSE ELECTRIC CO., LTD. | | APPROVED : KI. AKIYAMA 20160407 | DRAWING NO. EDC-338973-27-00 | | | | |
| | | CHECED : TS. FUKUSHIMA 20160407 | PART NO. DF60-1P-10.16DSA(27) | | | | |
| | | DESIGNED : TS. KUMAZAWA 20160407 | CODE NO. CL0680-3004-5-27 | | | | |
| | | DRAWN : TS. KUMAZAWA 20160407 | | | | | |