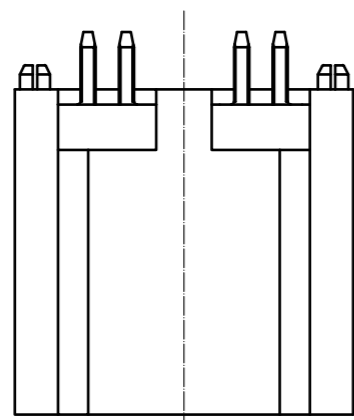
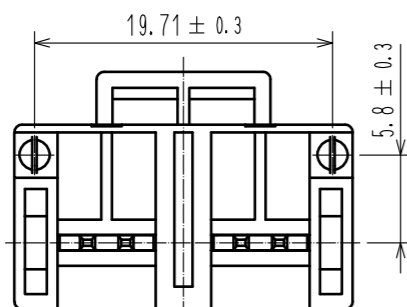
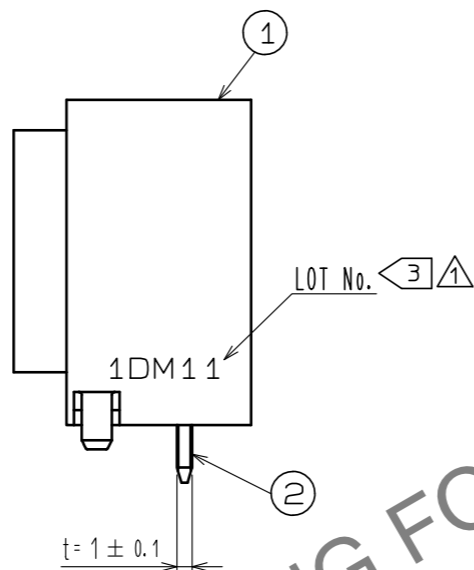
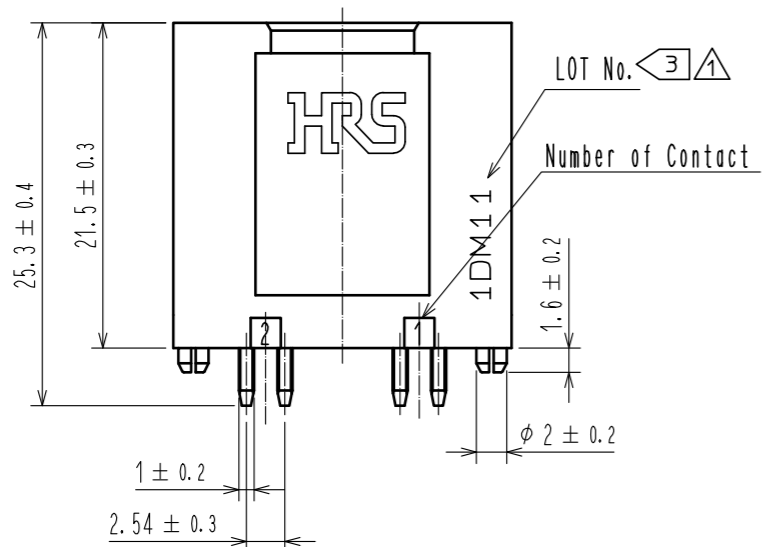
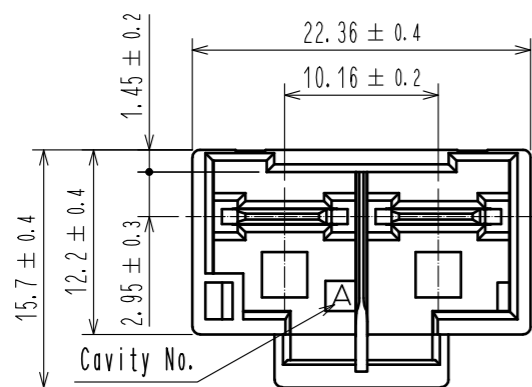


Mar.1.2025 Copyright 2025 HIROSE ELECTRIC CO., LTD. All Rights Reserved.
In case of consideration for using Automotive equipment / device which demand high reliability, kindly contact our sales window correspondents.

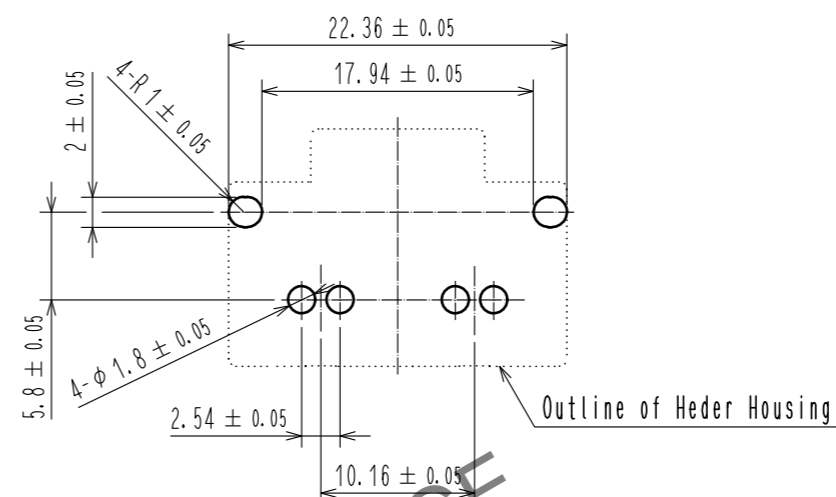


Notes 1. Per tray : 96 Pieces.
2. UL(File No. E52653)
C-UL(File No. E52653)
TUV (Certificate No. R50244085) authorization article.

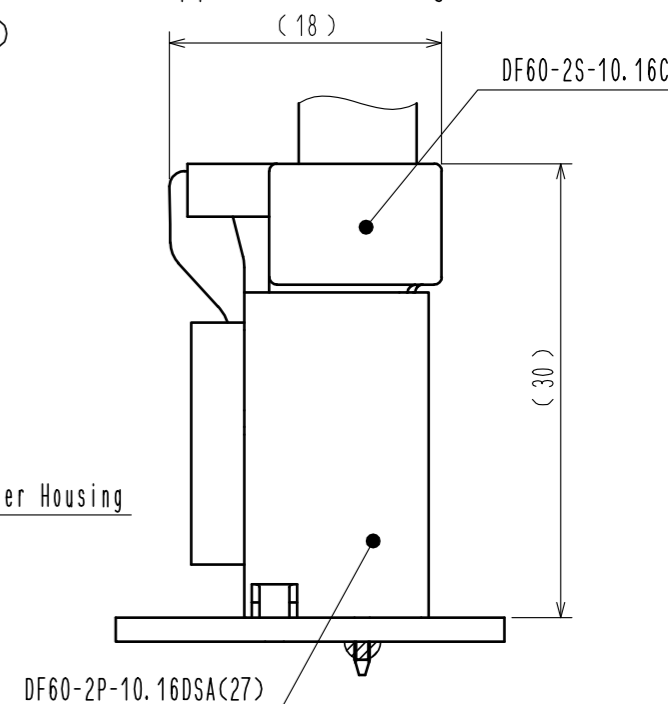


△ ③ Lot No. is displayed in one of the two locations.

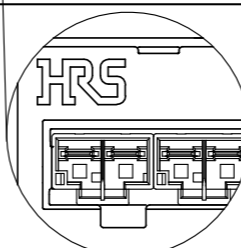
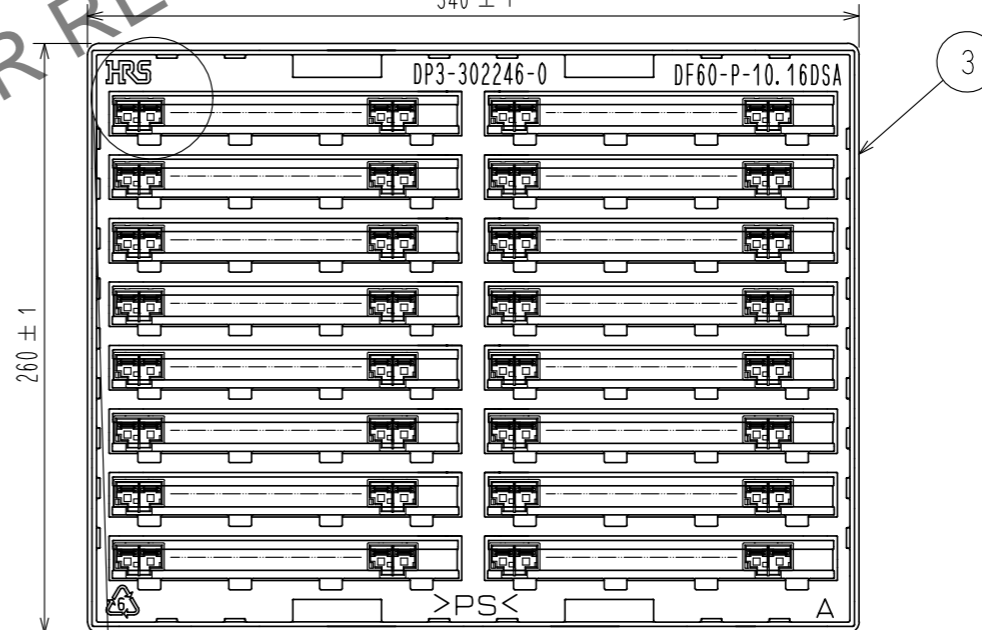
Recommended PCB Layout
(Board thickness: t=1.6±0.1mm)



Application Diagram



Packing Diagram (FREE)
340 ± 1



1	PBT	Black, UL94-V0	3	PS	Clear		
NO.	MATERIAL	FINISH . REMARKS	NO.	MATERIAL	FINISH . REMARKS		
UNITS mm	⊙	SCALE 2 : 1	COUNT 3	DESCRIPTION OF REVISIONS DIS-H-00011936	DESIGNED TS.MIYAKI	CHECKED SZ.ONO	DATE 20220125
APPROVED : KI. AKIYAMA		20151128	DRAWING NO. EDC-338974-27-00				
CHECED : TS. FUKUSHIMA		20151128	PART NO. DF60-2P-10.16DSA(27)				
DESIGNED : TS. KUMAZAWA		20151128	CODE NO. CL0680-3005-8-27				
DRAWN : TS. KUMAZAWA		20151128					