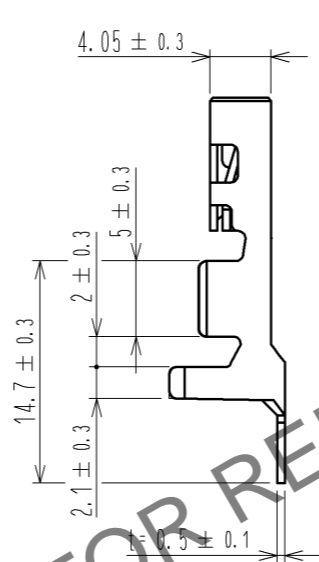
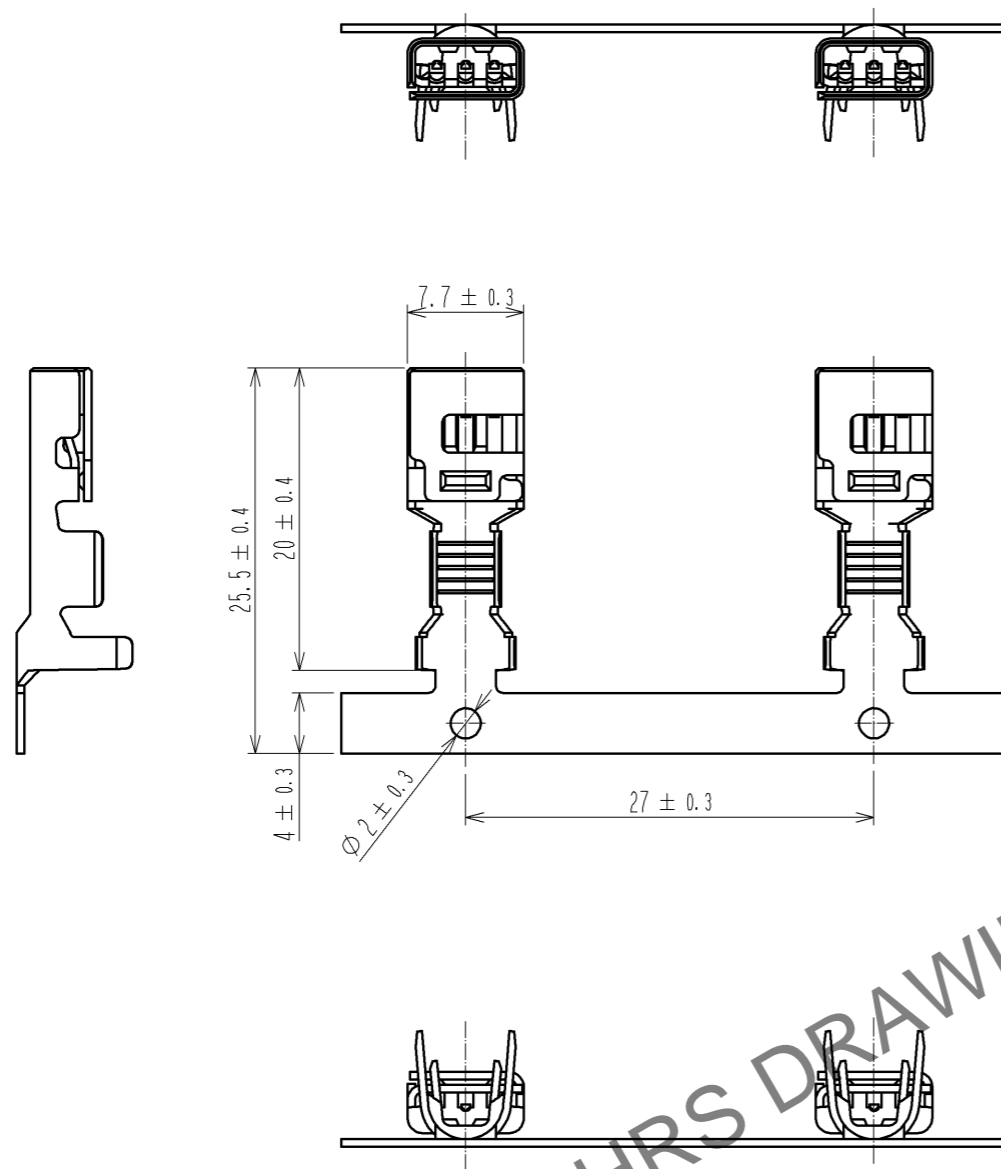
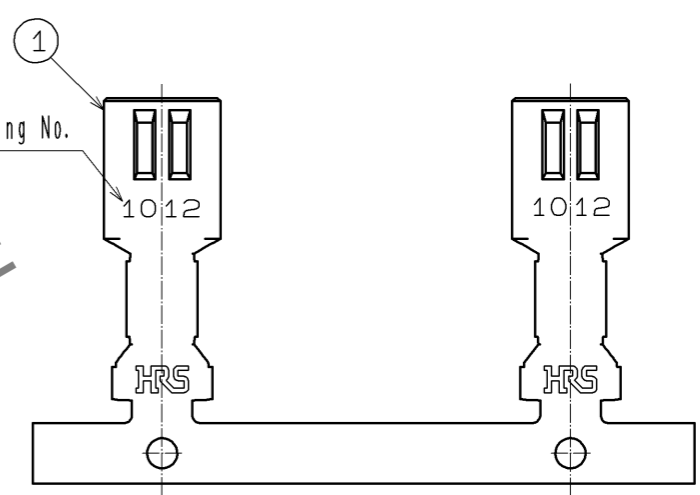


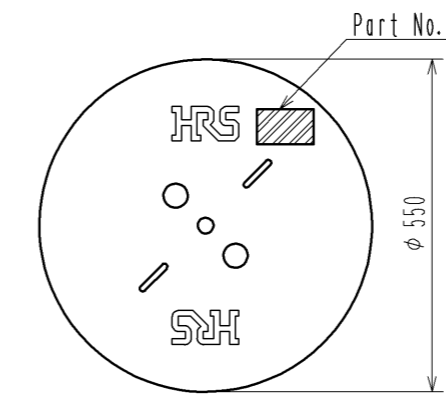
Apr.1.2025 Copyright 2025 HIROSE ELECTRIC CO., LTD. All Rights Reserved.  
 In case of consideration for using Automotive equipment / device which demand high reliability, kindly contact our sales window correspondents.



Applicable Cable Marking No.



2 Style and Dimension of Reel



Detail of part No. Label

<b>HRS</b>		検査
品名コード	CL680-3014-9	Inspection
品名	DF60-1012SCFA	
数量	900	
仕様		
LOT No.		
継ぎ目		

NOTE 1. 1RL:900 Contacts.

2 Style of Reel and Box Shows in Figure.

3. Please be sure to check the form of crimping using a cable. When you adjust Applicator.

NO.	MATERIAL	FINISH . REMARKS	NO.	MATERIAL	FINISH . REMARKS		
			1	COPPER ALLOY	Contact Area : Au Plating 0.2µm min Under Plating : Ni Plating 1µm min		
UNITS mm		SCALE 2 : 1	COUNT 	DESCRIPTION OF REVISIONS	DESIGNED	CHECKED	DATE
<b>HRS</b>	HIROSE ELECTRIC CO., LTD.	APPROVED : OM. MIYAMOTO	12.10.09	DRAWING NO.	EDC3-341029-00		
		CHECED : SZ. ONO	12.10.09	PART NO.	DF60-1012SCFA		
		DESIGNED : TH. YOSHIZAWA	12.10.09	CODE NO.	CL680-3014-9-00		
		DRAWN : TH. YOSHIZAWA	12.10.09		1/1		