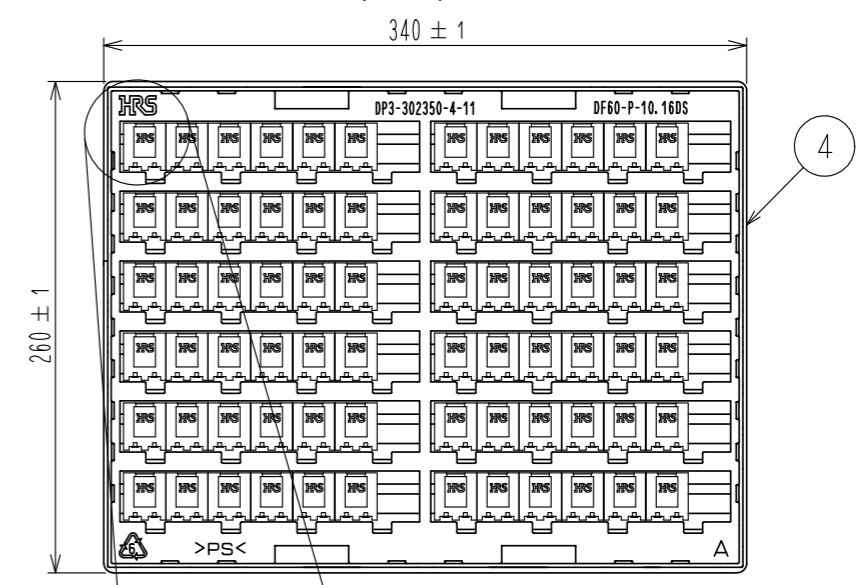
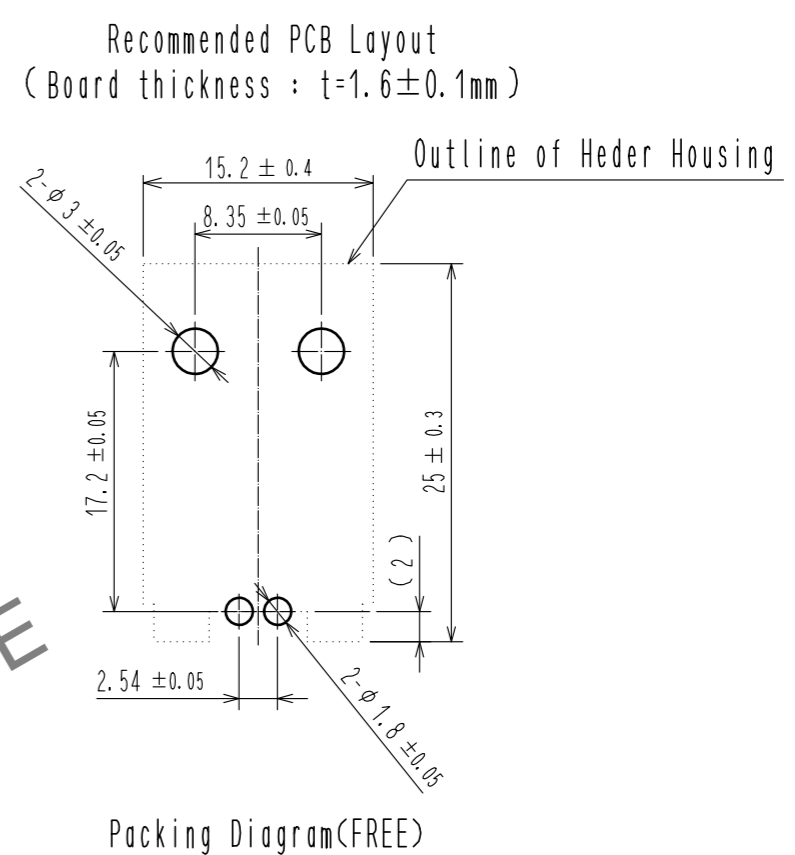
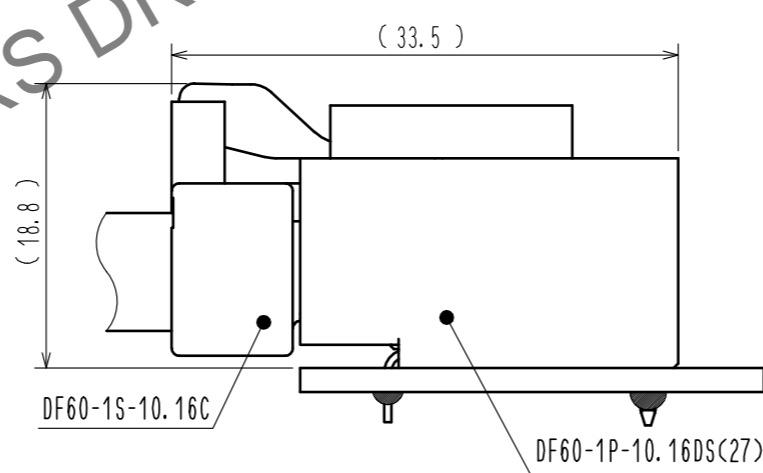
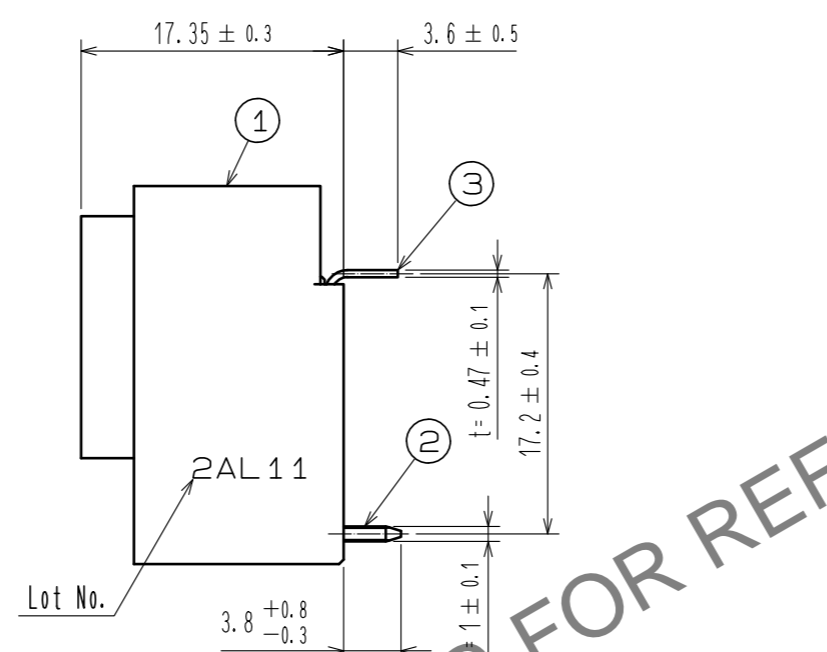
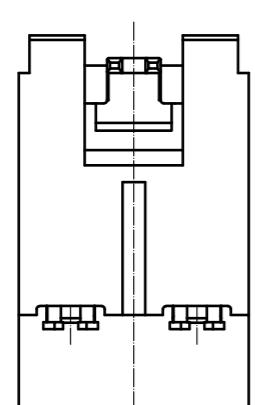
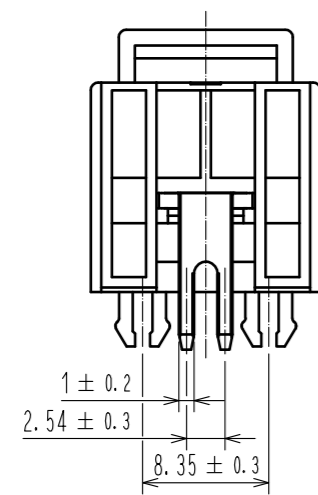
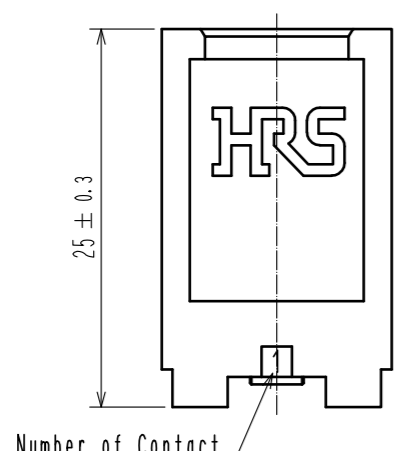
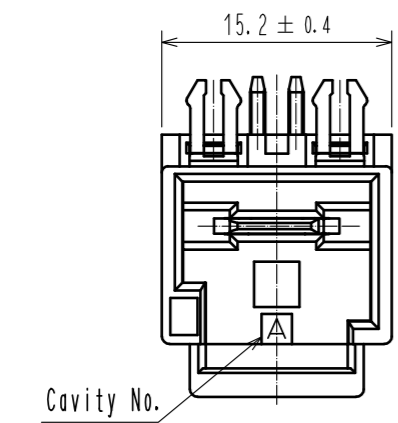


Apr.1.2026 Copyright 2026 HIROSE ELECTRIC CO., LTD. All Rights Reserved.
In case of consideration for using Automotive equipment / device which demand high reliability, kindly contact our sales window correspondents.



Notes 1. Per tray : 120 Pieces.
2. UL(File No. E52653)
C-UL(File No. E52653)
TUV (Certificate No. R50244085) authorization article.



4	PS	Clear
3	Brass	Tin Plating 1μm min
2	Copper Alloy	Contact Area : Au Plating 0.2μm min
		Lead area : Tin Plating 1μm min
		Under Plating : Ni Plating 1μm min

NO.	MATERIAL	FINISH . REMARKS	NO.	MATERIAL	FINISH . REMARKS
1	PBT	BLACK. UL94-V0			

UNITS	SCALE	COUNT	DESCRIPTION OF REVISIONS	DESIGNED	CHECKED	DATE
mm	2 : 1	△				

HRS	APPROVED : KI. AKIYAMA	16.04.05	DRAWING NO.	EDC-342143-27-00
	CHECKED : TS. FUKUSHIMA	16.04.05	PART NO.	DF60-1P-10.16DS(27)
	DESIGNED : TS. KUMAZAWA	16.04.05	CODE NO.	CL680-3015-1-27
	DRAWN : TS. KUMAZAWA	16.04.05		