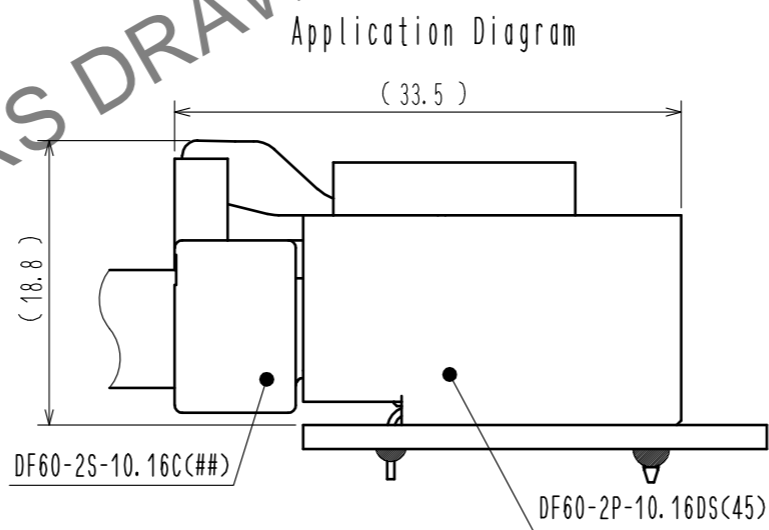
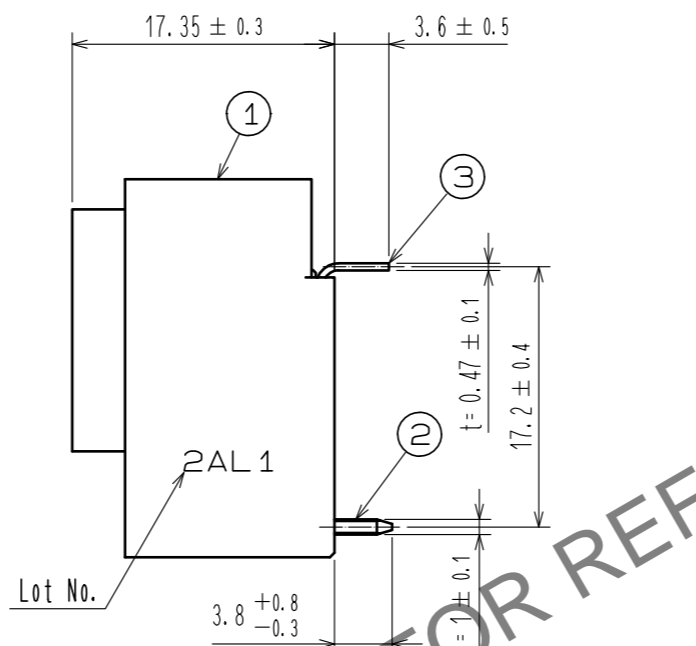
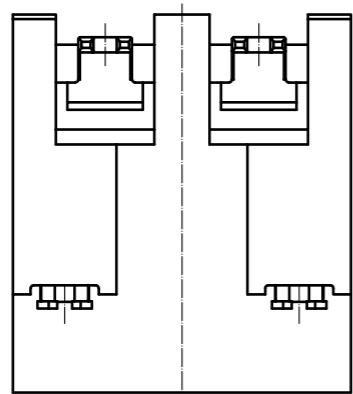
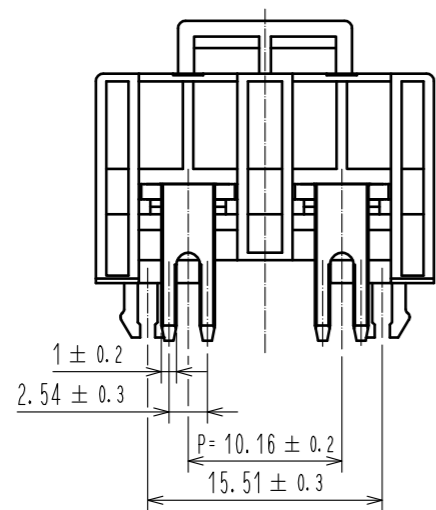
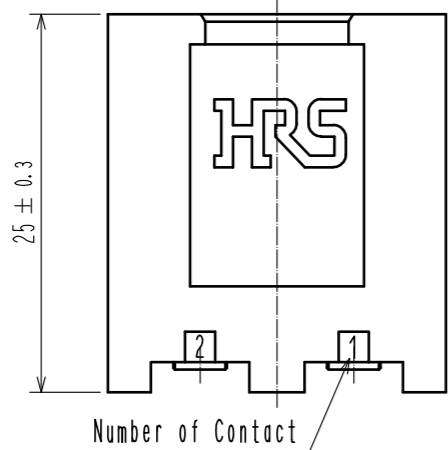
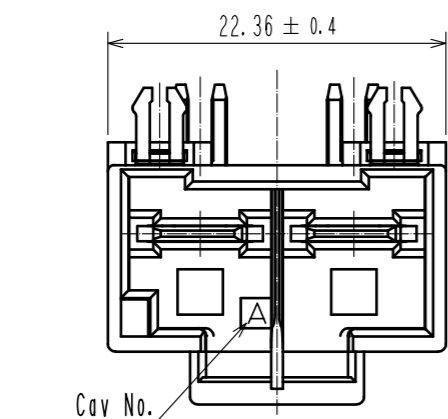
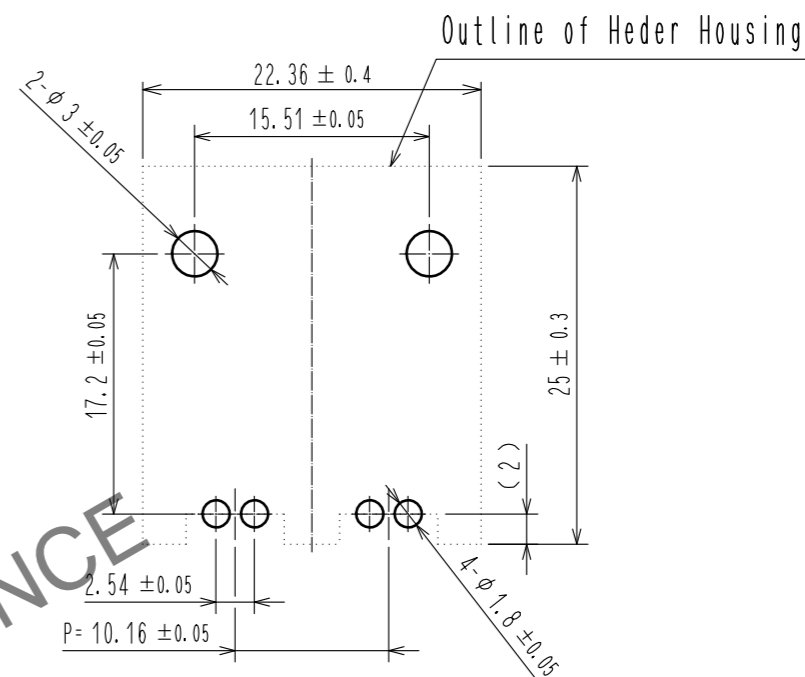


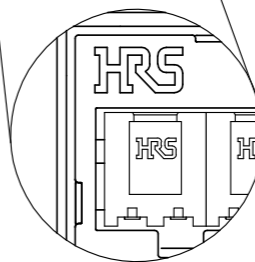
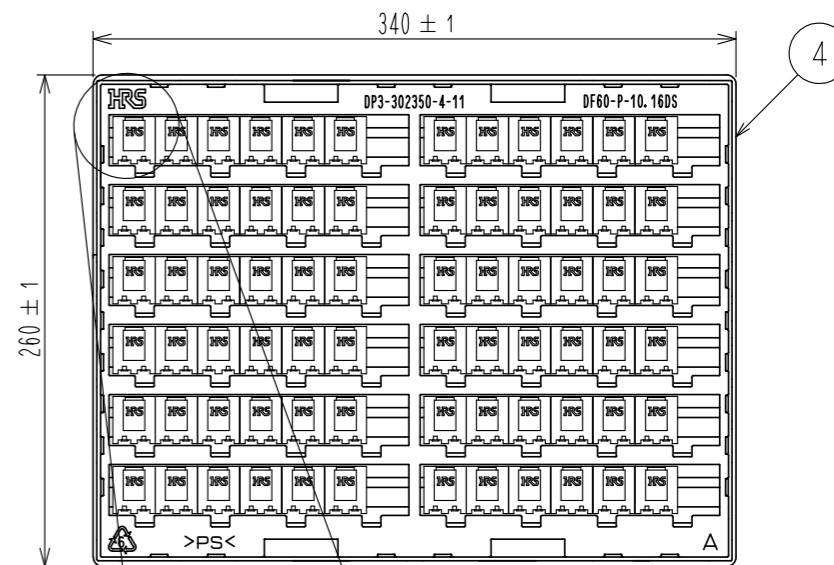
Mar.1.2025 Copyright 2025 HIROSE ELECTRIC CO., LTD. All Rights Reserved.
In case of consideration for using Automotive equipment / device which demand high reliability, kindly contact our sales window correspondents.



Recommended PCB Layout
(Board thickness : t=1.6±0.1mm)



Packing Diagram(FREE)



4	PS	CLEAR
3	Brass	Tin Plating 1μm min
2	Copper Alloy	Contact Area : Au Plating 0.2μm min
		Lead area : Tin Plating 1μm min
		Under Plating : Ni Plating 1μm min

Notes 1. Per tray : 72 Pieces.
2. UL(File No. E52653)
C-UL(File No. E52653)
TUV (Certificate No. R50244085) authorization article.



NO.	MATERIAL	FINISH . REMARKS	NO.	MATERIAL	FINISH . REMARKS
1	PBT	RED. UL94-V0			

UNITS	SCALE	COUNT	DESCRIPTION OF REVISIONS	DESIGNED	CHECKED	DATE
mm	2 : 1	△				

HRS HIROSE ELECTRIC CO., LTD.	APPROVED : KI. AKIYAMA	15.06.03	DRAWING NO.	EDC-342144-45-00
	CHECKED : TS. FUKUSHIMA	15.06.02	PART NO.	DF60-2P-10.16DS(45)
	DESIGNED : TS. KUMAZAWA	15.06.02	CODE NO.	CL680-3016-4-45
	DRAWN : TS. KUMAZAWA	15.06.02		