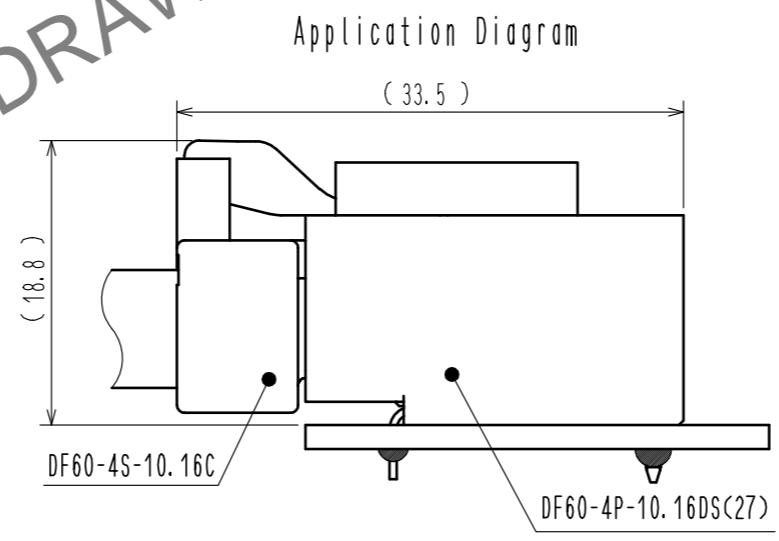
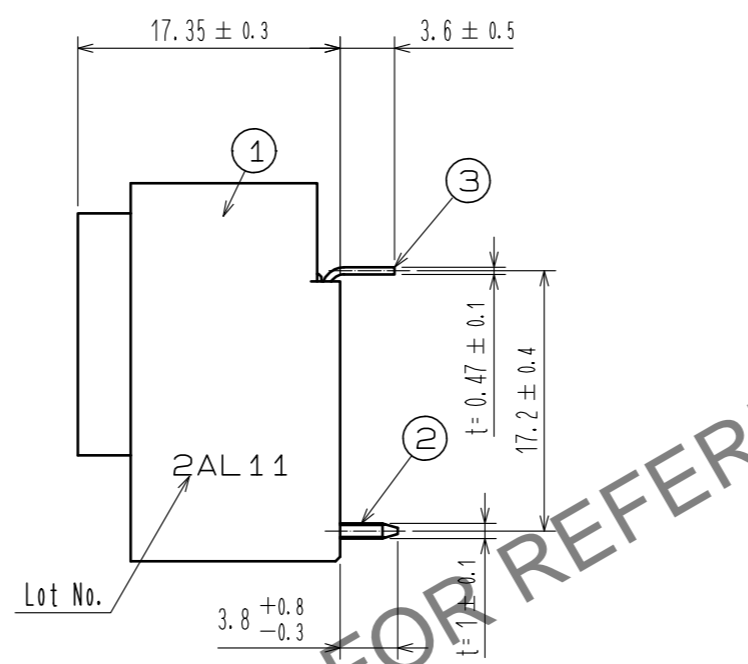
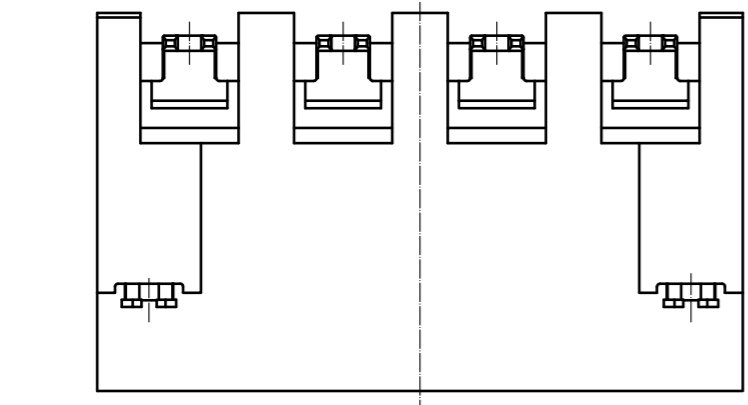
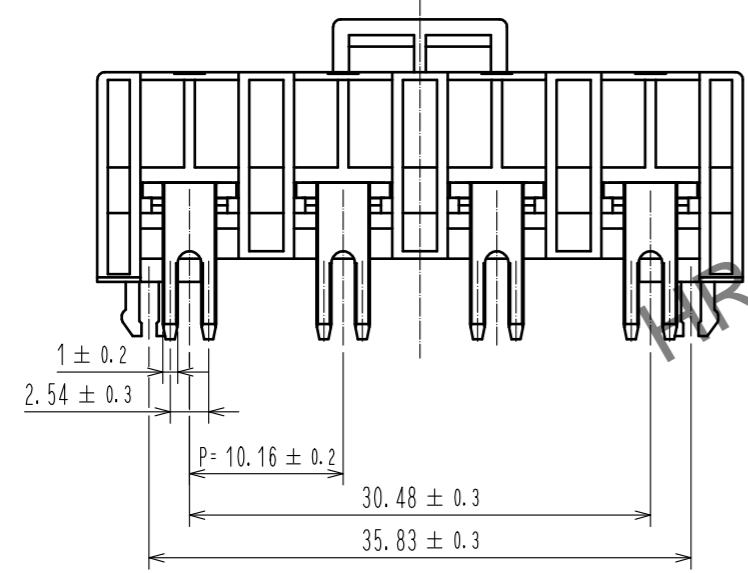
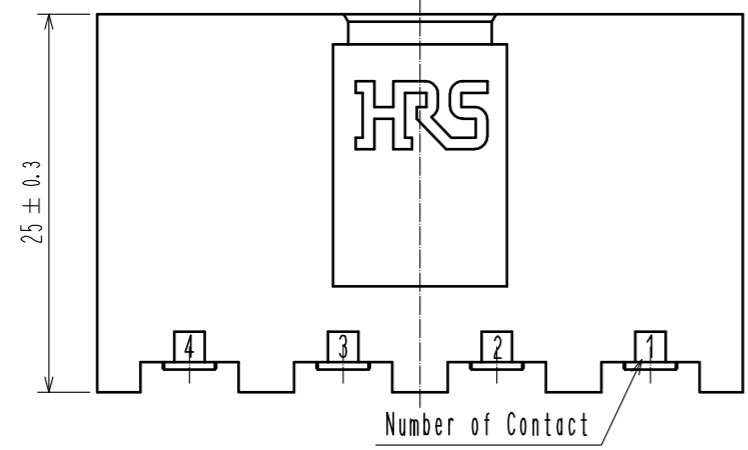
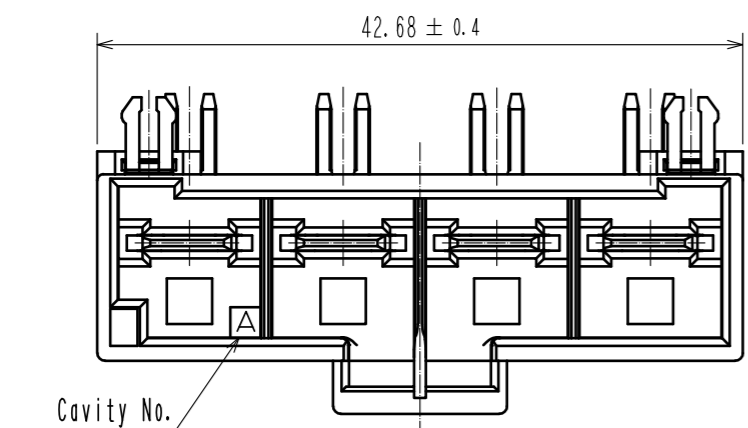
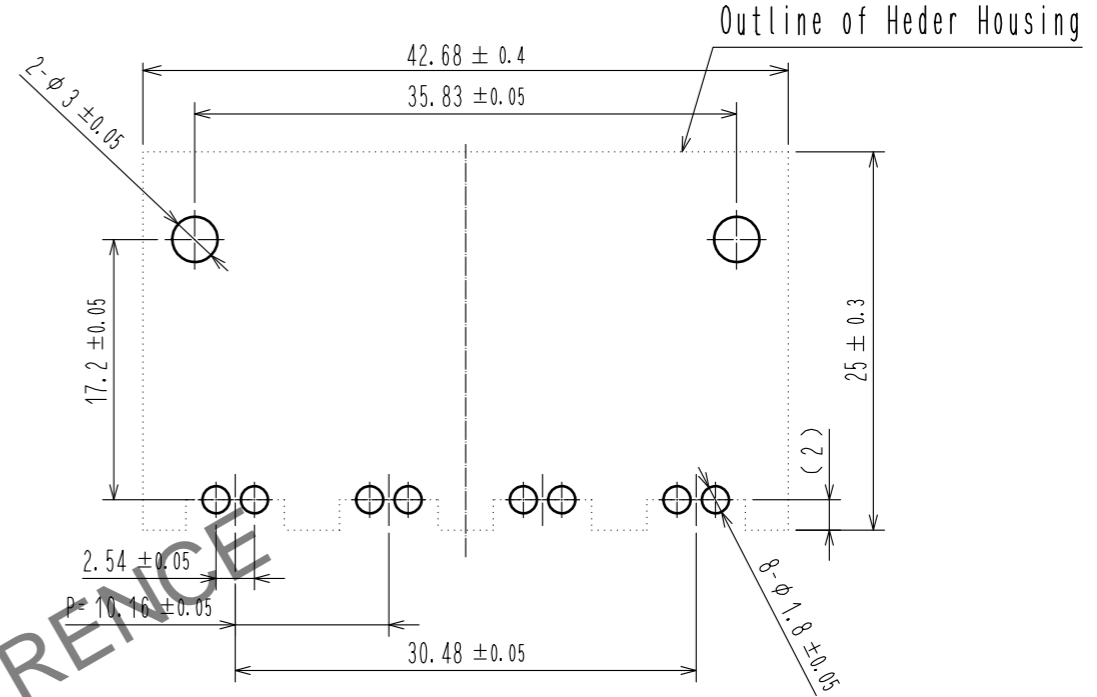


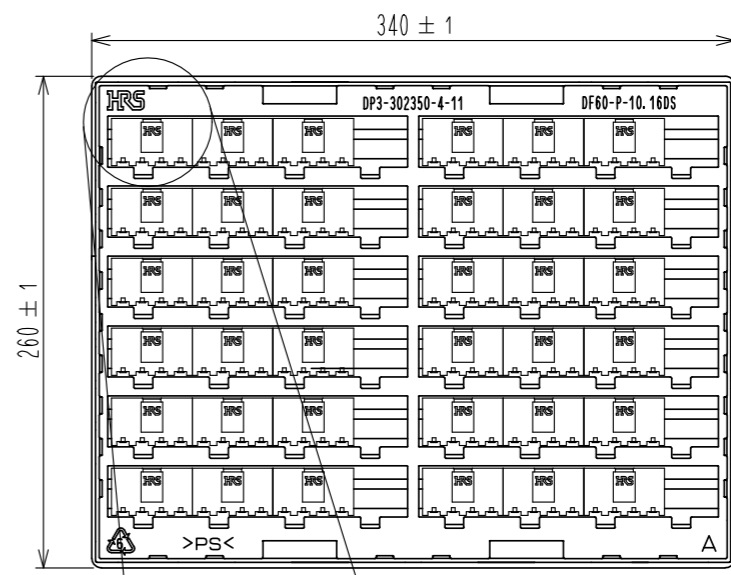
Mar.1.2026 Copyright 2026 HIROSE ELECTRIC CO., LTD. All Rights Reserved.
In case of consideration for using Automotive equipment / device which demand high reliability, kindly contact our sales window correspondents.



Recommended PCB Layout
(Board thickness : t=1.6±0.1mm)



Packing Diagram(FREE)



NOTE 1. Per TRAY : 36 Pieces.

1	PBT	BLACK. UL94-V0	3	Brass	Tin Plating 1μm min
NO.	MATERIAL	FINISH . REMARKS	NO.	Copper Array	Contact Area : Au Plating 0.2μm min Lead area : Tin Plating 1μm min Under Plating : Ni Plating 1μm min
UNITS	mm	SCALE	2 : 1	DESIGNED	DATE
		COUNT	△	CHECKED	
		DESCRIPTION OF REVISIONS	DESIGNED	DATE	
APPROVED : KI. AKIYAMA			15.11.28	DRAWING NO. EDC-342146-27-00	
CHECKED : TS. FUKUSHIMA			15.11.28	PART NO. DF60-4P-10.16DS(27)	
DESIGNED : TS. KUMAZAWA			15.11.27	CODE NO. CL680-3018-0-27	
DRAWN : TS. KUMAZAWA			15.11.27	1/1	