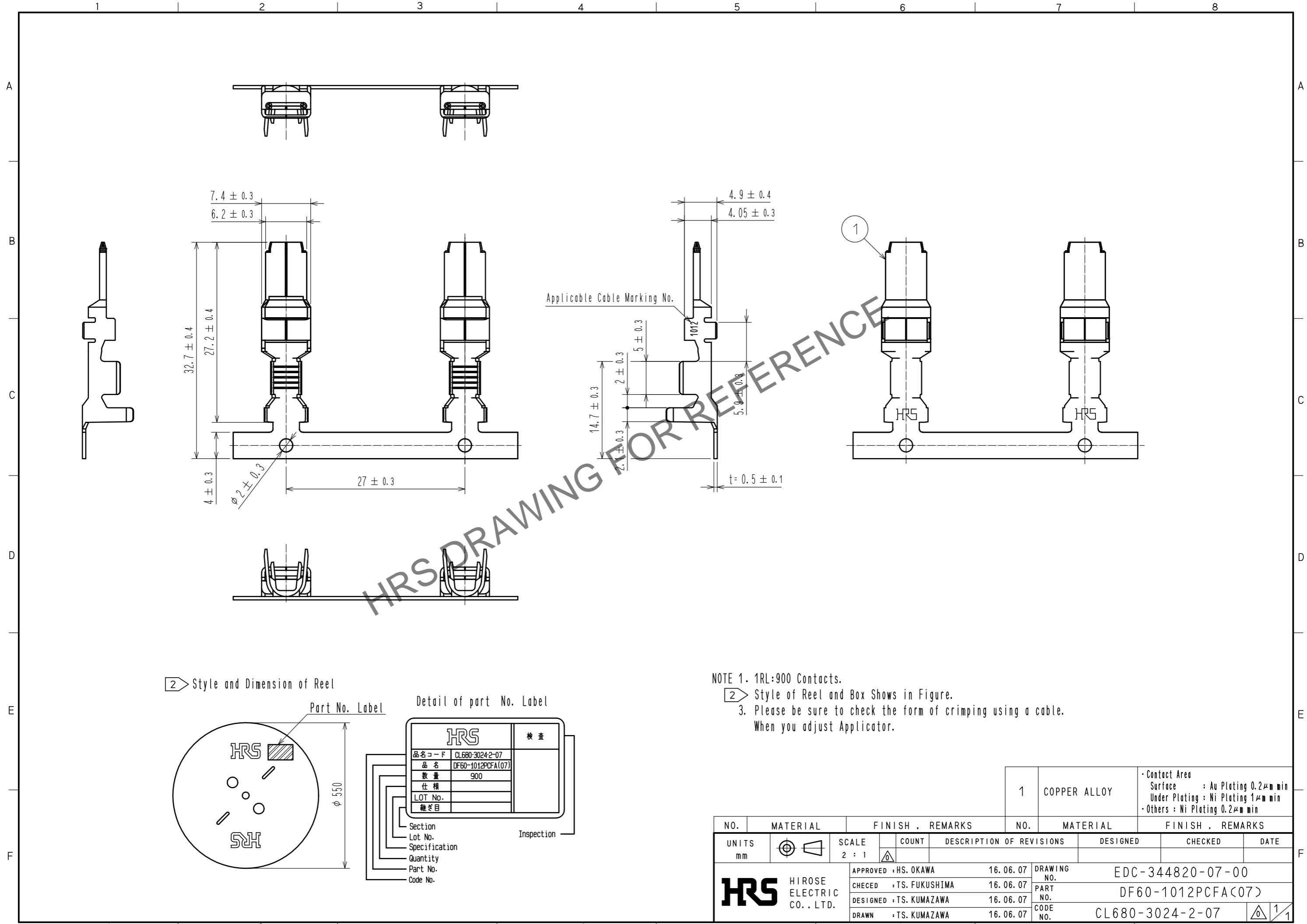
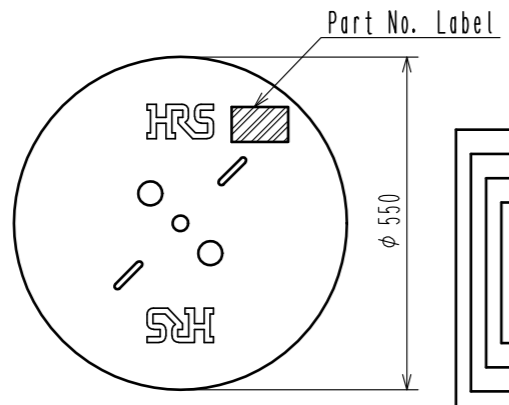


Apr.1.2025 Copyright 2025 HIROSE ELECTRIC CO., LTD. All Rights Reserved.
 In case of consideration for using Automotive equipment / device which demand high reliability, kindly contact our sales window correspondents.



2 Style and Dimension of Reel



Detail of part No. Label

HRS		検査
品名コード	CL680-3024-2-07	
品名	DF60-1012PCFA(07)	
数量	900	
仕様		
LOT No.		
継ぎ目		

- Section
 - Lot No.
 - Specification
 - Quantity
 - Part No.
 - Code No.
- Inspection

- NOTE 1. 1RL:900 Contacts.
 2 Style of Reel and Box Shows in Figure.
 3. Please be sure to check the form of crimping using a cable.
 When you adjust Applicator.

NO. 1		MATERIAL COPPER ALLOY		FINISH . REMARKS		Contact Area Surface : Au Plating 0.2 μ m min Under Plating : Ni Plating 1 μ m min Others : Ni Plating 0.2 μ m min		
UNITS mm		SCALE 2 : 1	COUNT 	DESCRIPTION OF REVISIONS		DESIGNED	CHECKED	DATE
HRS HIROSE ELECTRIC CO., LTD.		APPROVED : HS. OKAWA	16.06.07	DRAWING NO. EDC-344820-07-00				
		CHECED : TS. FUKUSHIMA	16.06.07	PART NO. DF60-1012PCFA(07)				
		DESIGNED : TS. KUMAZAWA	16.06.07	CODE NO. CL680-3024-2-07				
		DRAWN : TS. KUMAZAWA	16.06.07					