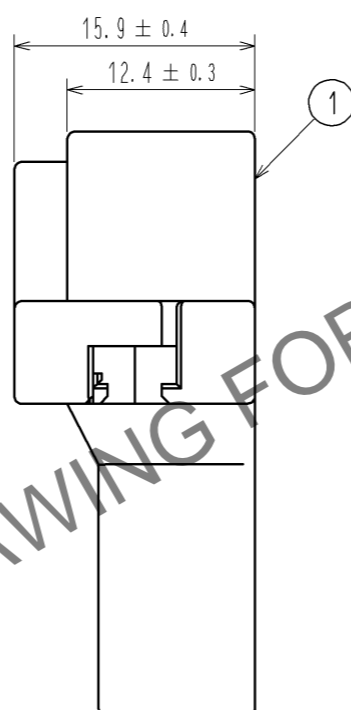
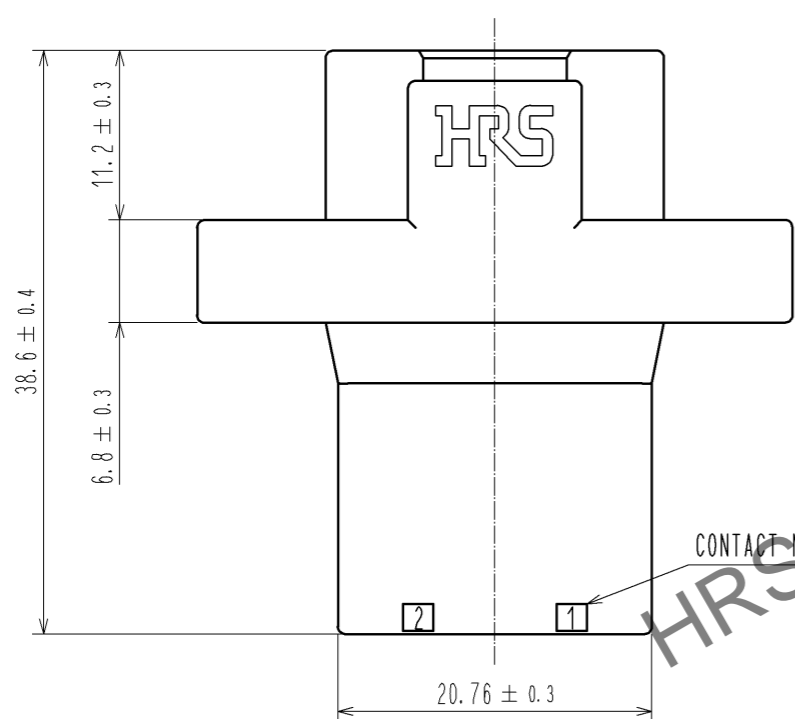
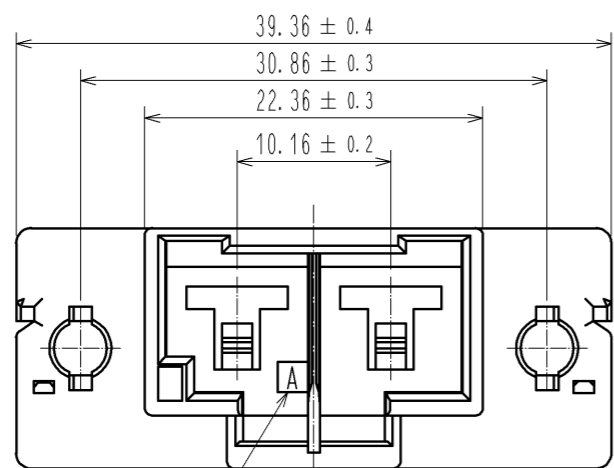
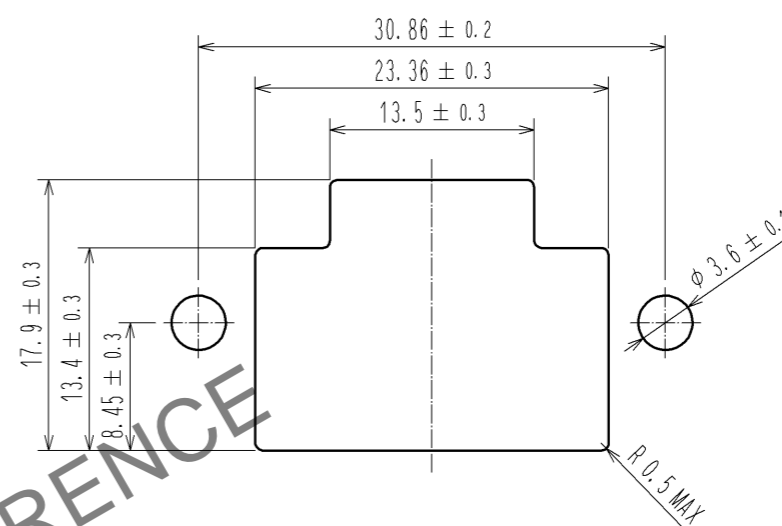


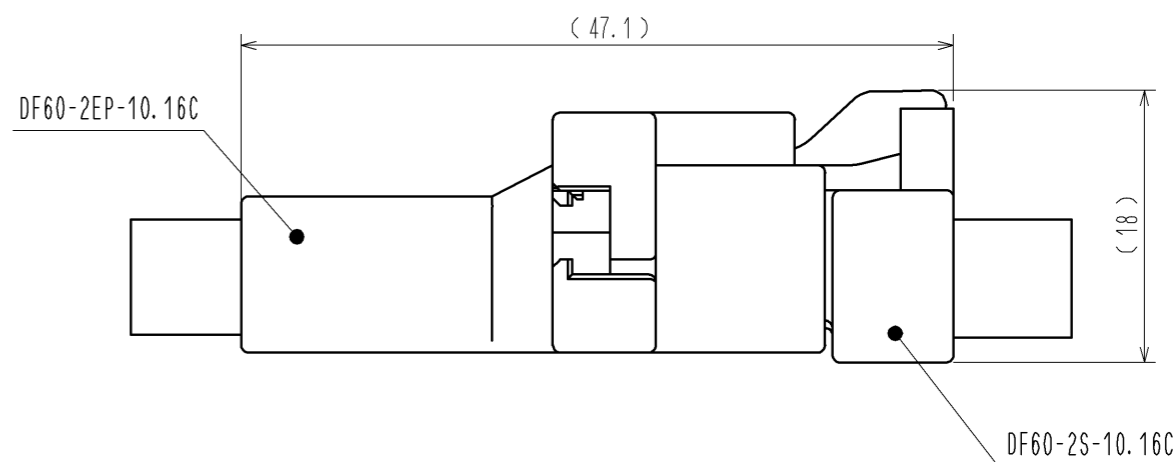
Apr.1.2025 Copyright 2025 HIROSE ELECTRIC CO., LTD. All Rights Reserved.
 In case of consideration for using Automotive equipment / device which demand high reliability, kindly contact our sales window correspondents.



RECOMMENDED PANEL CUT OUT DIMENSION



MATING FIGURE



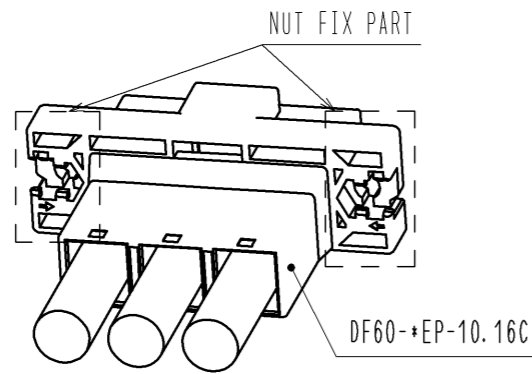
NOTE 1. PER PACK : 100 PIECES.

NO.	MATERIAL	FINISH . REMARKS	NO.	MATERIAL	FINISH . REMARKS
1	PBT			BLACK . UL94V-0	
UNITS	mm	SCALE	2 : 1	COUNT	△
APPROVED : KI. AKIYAMA			13.12.03	DRAWING NO. EDC3-344821-01	
CHECKED : HK. UMEHARA			13.12.03	PART NO. DF60-2EP-10.16C	
DESIGNED : TS. KUMAZAWA			13.12.03	CODE NO. CL680-3025-5-00	
DRAWN : TS. KUMAZAWA			13.12.03	DATE	

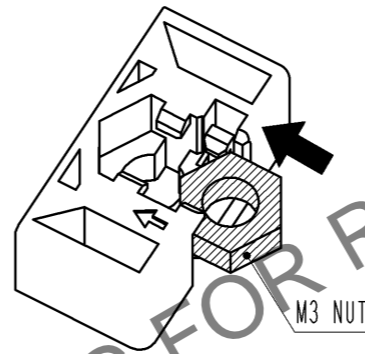
Apr.1.2025 Copyright 2025 HIROSE ELECTRIC CO., LTD. All Rights Reserved.
In case of consideration for using Automotive equipment / device which demand high reliability, kindly contact our sales window correspondents.

DF60 IN-LINE TYPE RECOMMENDED PANEL MOUNTING MANUAL (WHEN NUTS USES)

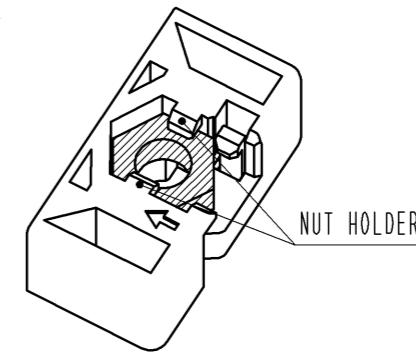
NUT INSTALLATION PROCESS



1. SLIDE A NUT (SIZE:M3) TO NUT FIX PART.

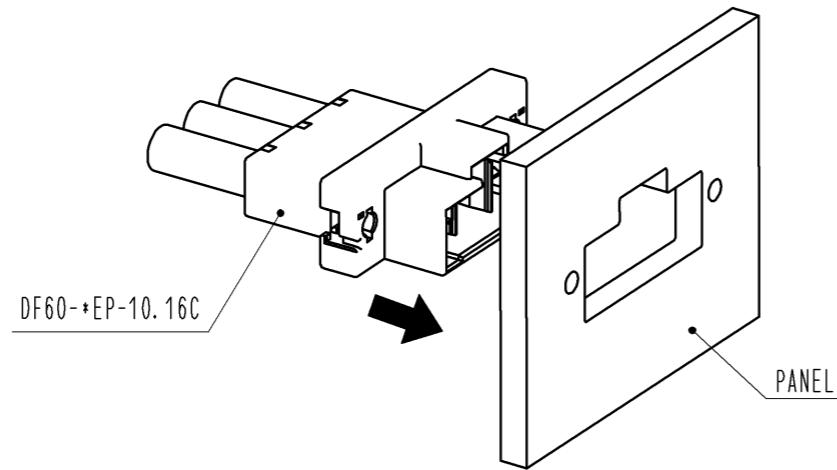


2. PRESS DOWN THE NUT UNTIL IT CLICKS, THEN THIS SOUND MEANS THE NUT HAS INSERTED INTO NUT HOLDER.

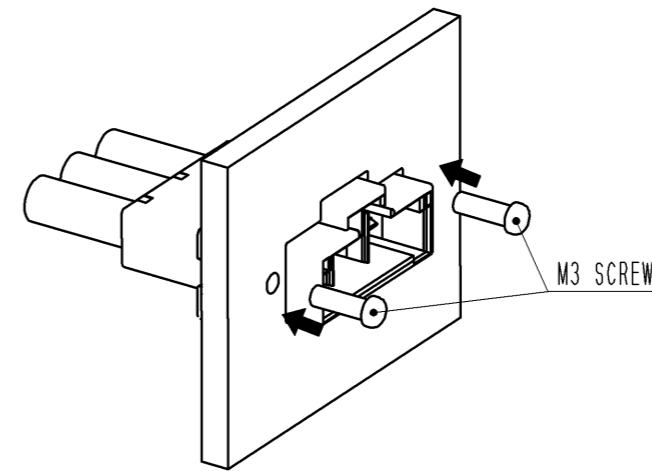


PANEL MOUNTING PROCESS

1. INSERT CONNECTOR INTO PANEL CUT OUT PART.



2. TIGHTEN A SCREW (SIZE:M3) TO FIX WITH PANEL.
RECOMMENDED TORQUE : LESS THAN 49N · cm



HRS DRAWING FOR REFERENCE

HRS	DRAWING NO.	EDC3-344821-01
	PART NO.	DF60-2EP-10.16C
	CODE NO.	CL680-3025-5-00
		△ 2/2