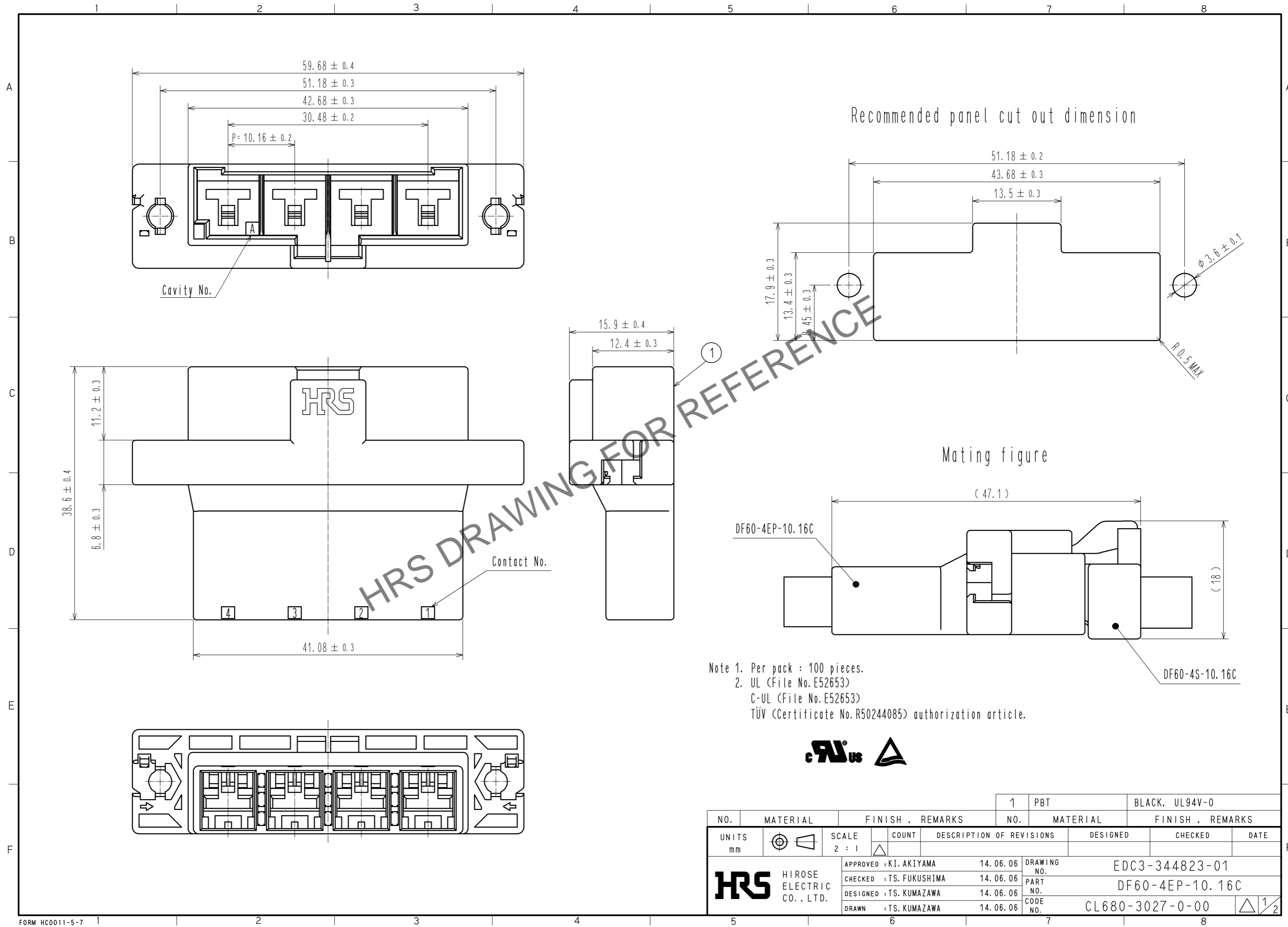


Apr.1.2026 Copyright 2026 HIROSE ELECTRIC CO., LTD. All Rights Reserved.
In case of consideration for using Automotive equipment / device which demand high reliability, kindly contact our sales window correspondents.



Note 1. Per pack : 100 pieces.
2. UL (File No. E52653)
C-UL (File No. E52653)
TÜV (Certificate No. R50244085) authorization article.

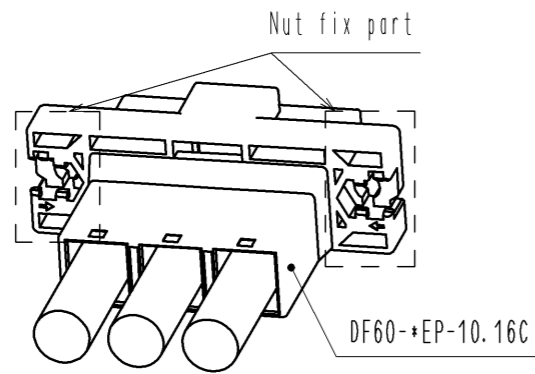


NO.	MATERIAL	FINISH . REMARKS	NO.	MATERIAL	FINISH . REMARKS
			1	PBT	BLACK, UL94V-0
UNITS	mm	SCALE	DESCRIPTION OF REVISIONS		
		2 : 1	DESIGNED	CHECKED	DATE
APPROVED : KI. AKIYAMA		14.06.06	DRAWING NO. EDC3-344823-01		
CHECKED : TS. FUKUSHIMA		14.06.06	PART NO. DF60-4EP-10.16C		
DESIGNED : TS. KUMAZAWA		14.06.06	CODE NO. CL680-3027-0-00		
DRAWN : TS. KUMAZAWA		14.06.06	1/2		

Apr.1.2026 Copyright 2026 HIROSE ELECTRIC CO., LTD. All Rights Reserved.
In case of consideration for using Automotive equipment / device which demand high reliability, kindly contact our sales window correspondents.

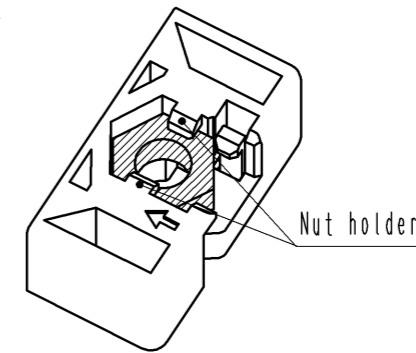
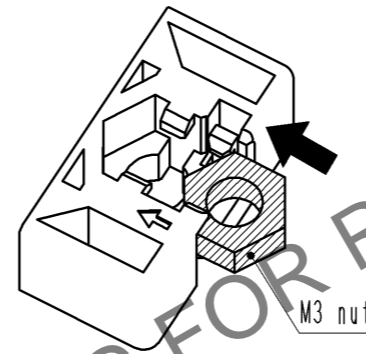
DF60 In-Line type recommended panel mounting manual (When nuts uses)

Nut installation process



1. Slide a nut (Size:M3) to nut fix part.

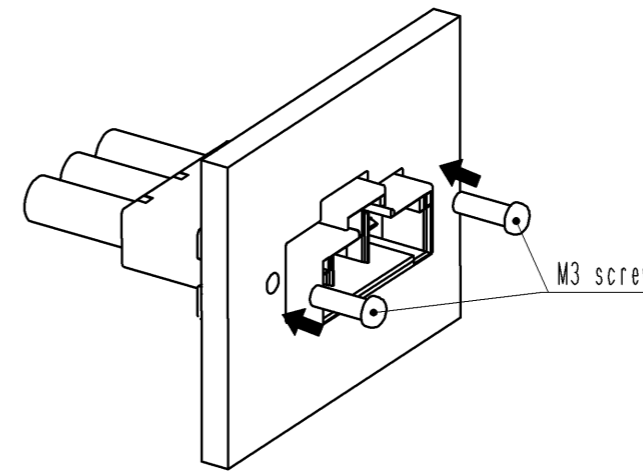
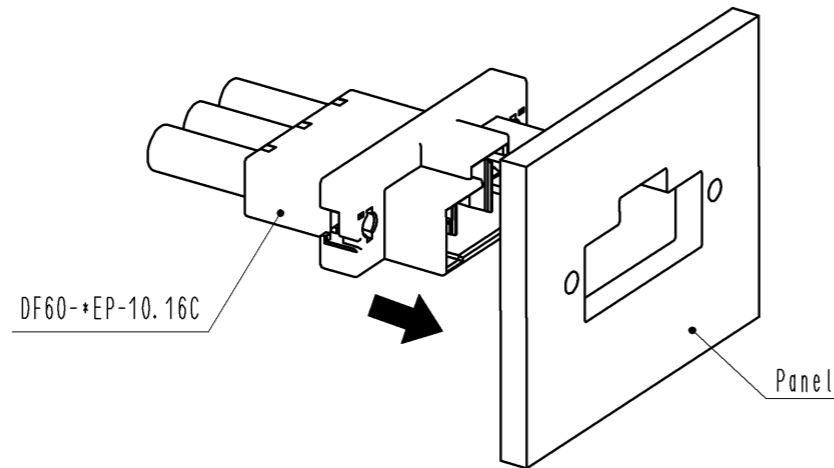
2. Press down the nut until it clicks, then this sound means the nut has inserted into nut holder.



Panel mounting process

1. Insert connector into panel cut out part.

2. Tighten a screw (Size:M3) to fix with panel.
recommended torque : less than 49N · cm



HRS

DRAWING NO.	EDC3-344823-01
PART NO.	DF60-4EP-10.16C
CODE NO.	CL680-3027-0-00

2/2