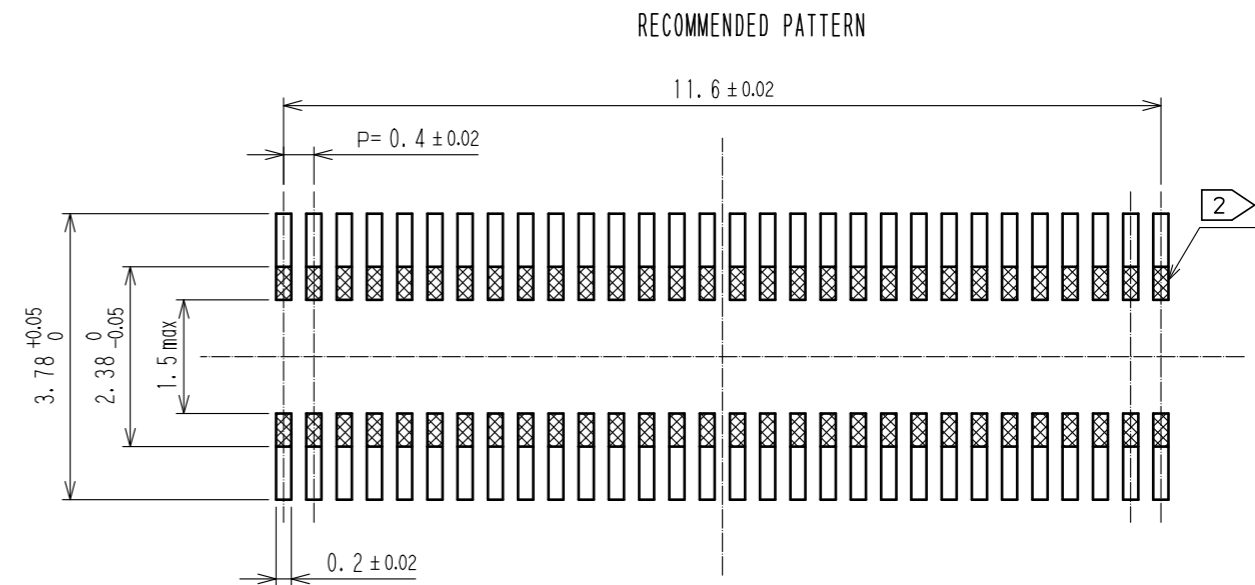
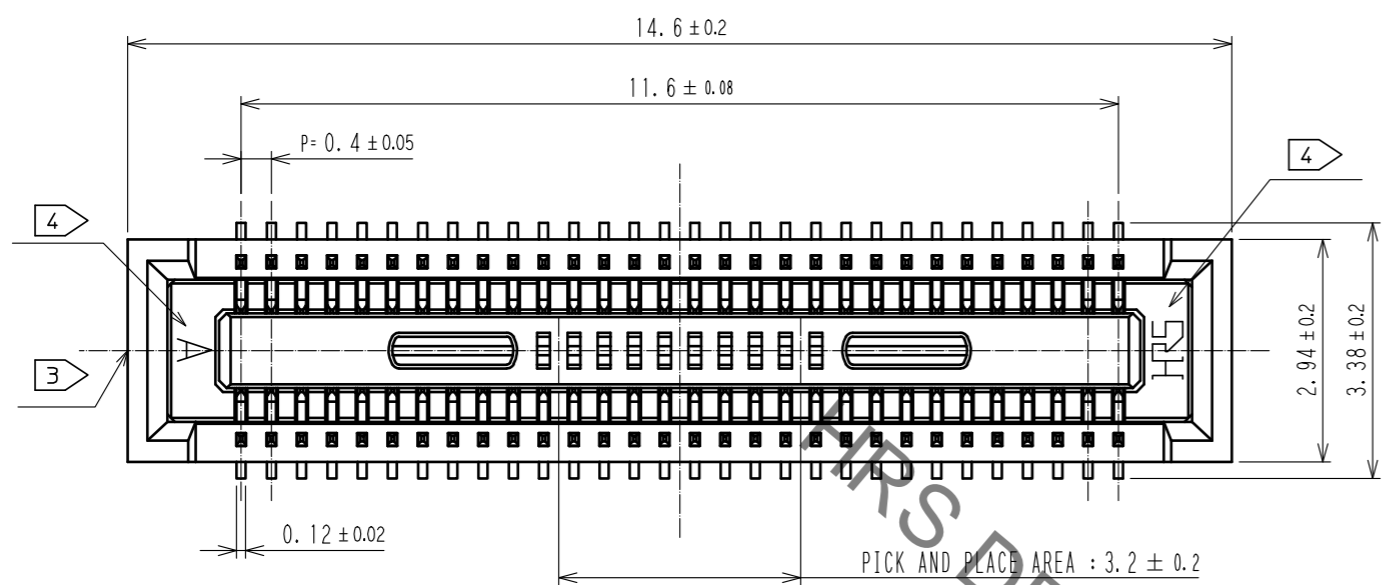
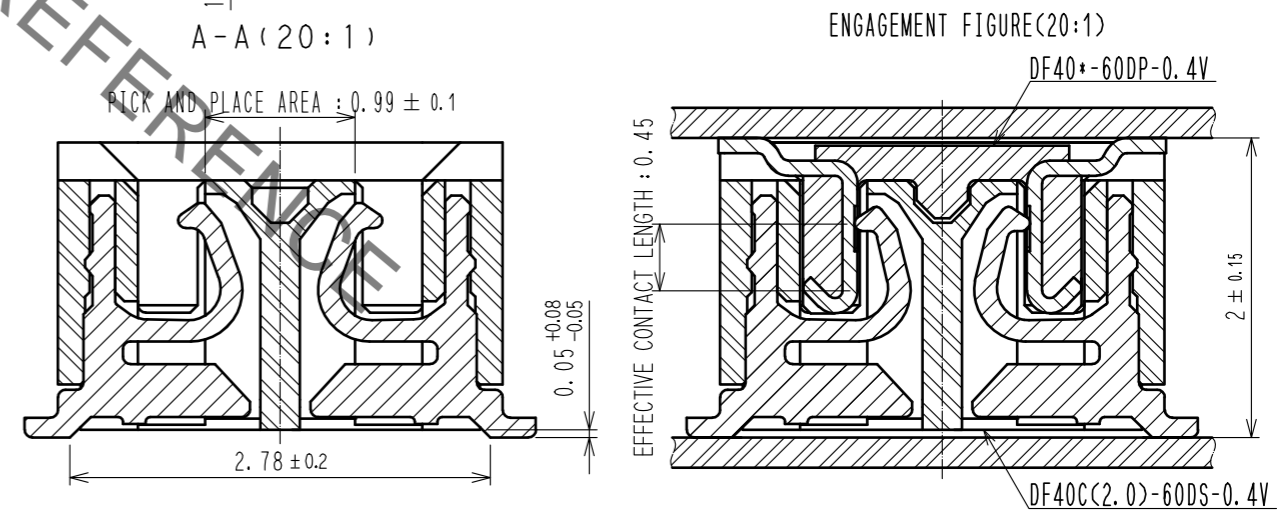
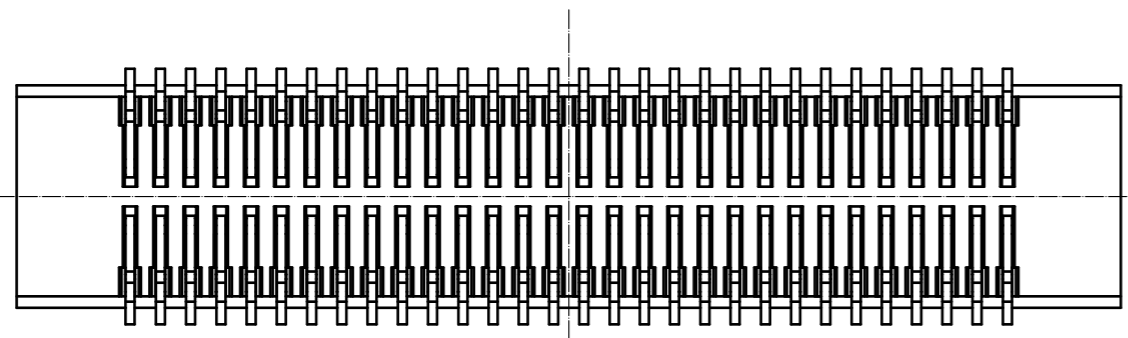
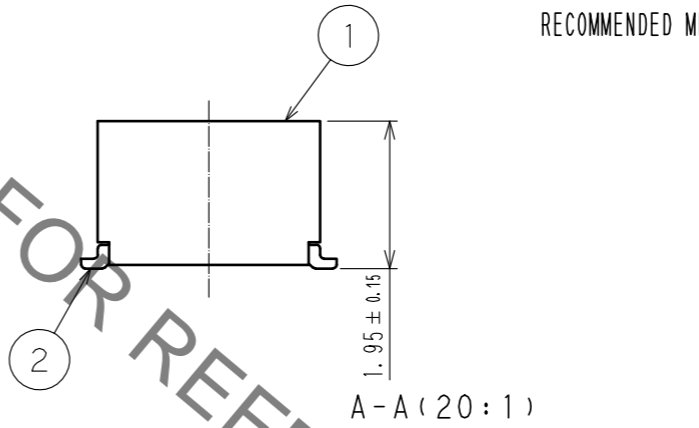
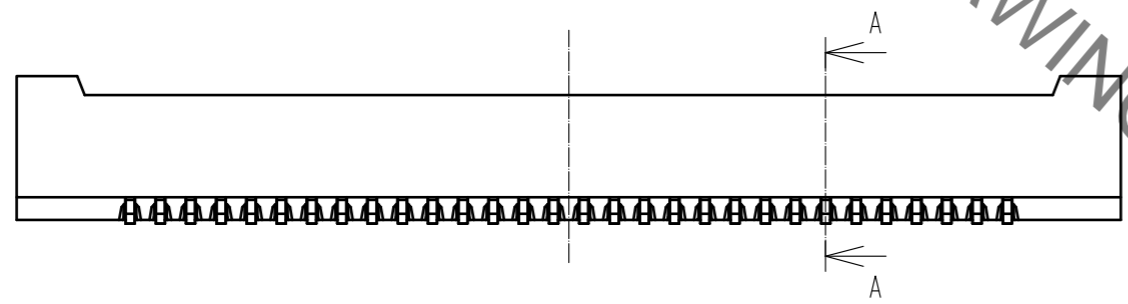


Jun.1.2022 Copyright 2022 HIROSE ELECTRIC CO., LTD. All Rights Reserved.  
 In case of consideration for using Automotive equipment / device which demand high reliability, kindly contact our sales window correspondents.



RECOMMENDED METAL MASK THICKNESS : 120 μm  
 RECOMMENDED METAL MASK OPENING RATIO : 80% FOR LEAD PAD

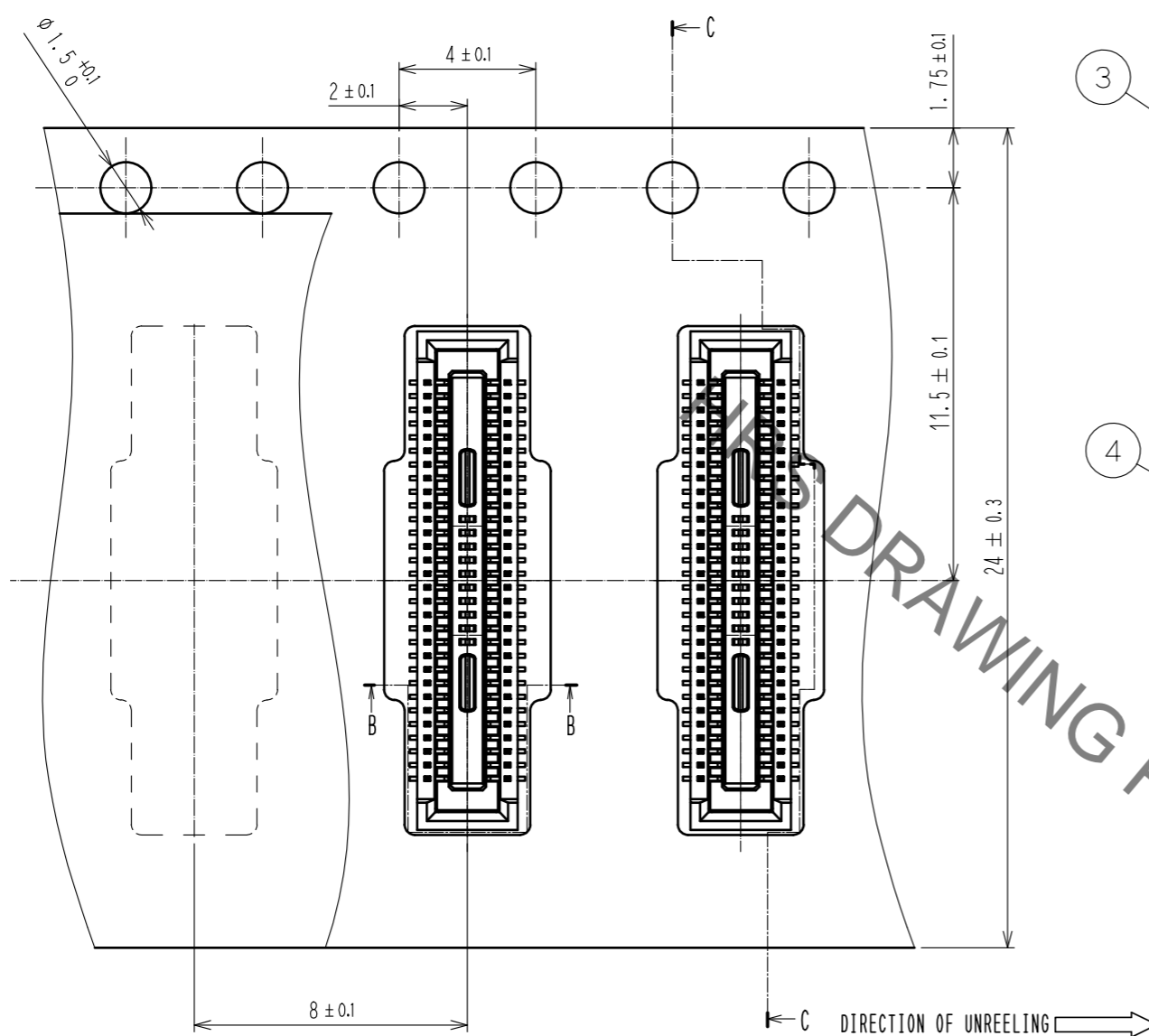


NOTE 1. ALL LEADS CO-PLANARITY SHALL BE 0.1 MAX.  
 2 IS NO PATTERN AREA OTHER THAN THE SAME CIRCUIT.  
 3 GATE POSITION IS POSITIONED IN APPROXIMAL AREA SHOWN.  
 4 HRS MARK AND CAV NO. IS INDICATED IN APPROX POSITION SHOWN.

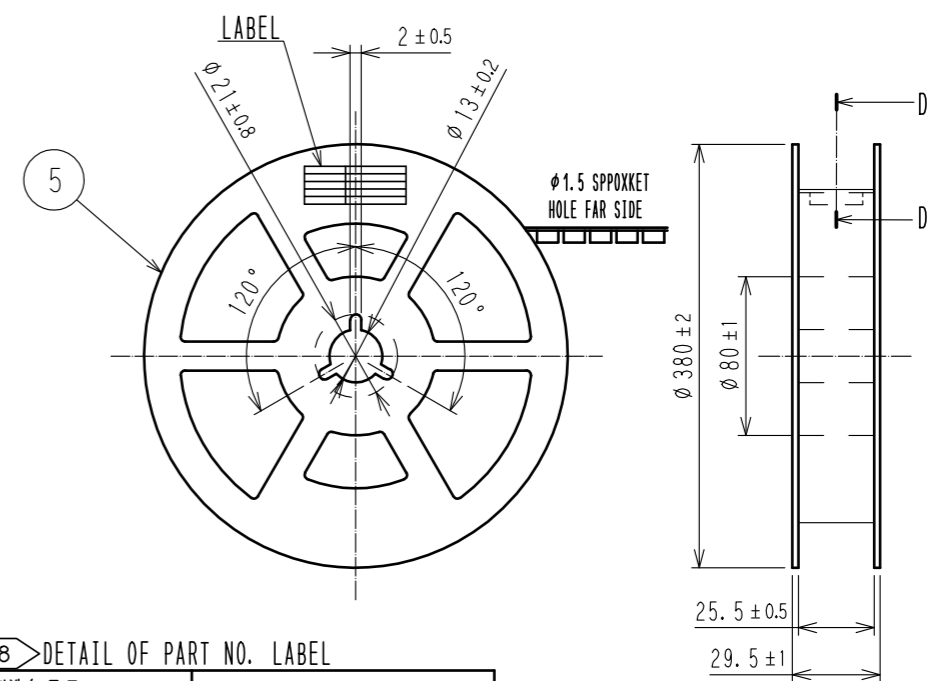
2	PHOSPHOR BRONZE	CONTACT AREA:GOLD 0.05 μm MIN	6	PS	CLEAR, REINFORCEMENT COLLAR
		SMT LEAD:GOLD 0.05 μm MIN	5	PS	BLACK
		UNDERPLATING:NICKEL 1 μm MIN	4	POLYESTER	CLEAR, COVER TAPE
1	LCP	BLACK, UL94V-0	3	PS	CLEAR, EMBOSSED CARRIER TAPE
NO.	MATERIAL	FINISH . REMARKS	NO.	MATERIAL	FINISH . REMARKS
UNITS mm		SCALE 10:1	COUNT	DESCRIPTION OF REVISIONS	
DESIGNED		CHECKED		DATE	
APPROVED : MO. ISHIDA			16.10.05	DRAWING NO. EDC-313989-58-01	
CHECKED : TS. MIYAZAKI			16.10.05	PART NO. DF40C(2.0)-60DS-0.4V(58)	
DESIGNED : SH. HOSODA			16.10.05	CODE NO. CL684-4034-7-58	
DRAWN : SN. NUMAZAKI			16.10.04	1/2	

Jun.1.2022 Copyright 2022 HIROSE ELECTRIC CO., LTD. All Rights Reserved.  
In case of consideration for using Automotive equipment / device which demand high reliability, kindly contact our sales window correspondents.

SCALE (5:1)

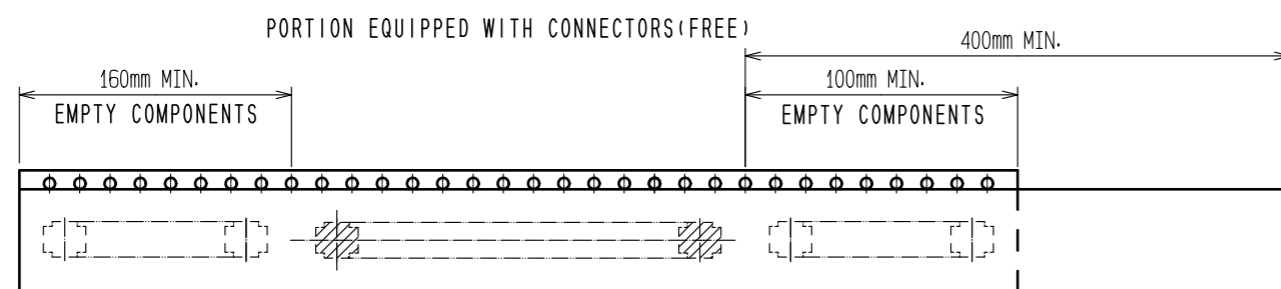
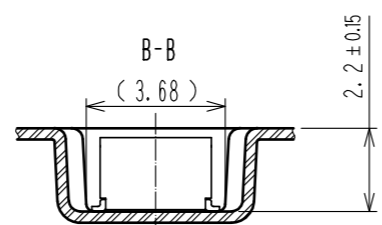
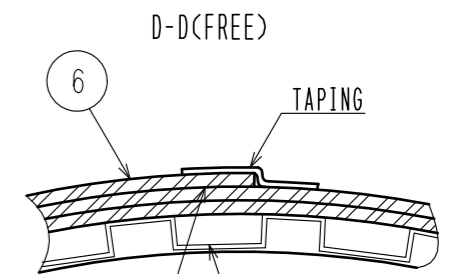


STYLE AND DIMENSION OF REEL (FREE SIZE)



8 > DETAIL OF PART NO. LABEL

製造年月日	** ** *
製品コード	CL684-4034-7-58
製品名	DF40C(2.0)-60DS-0.4V(58)
数量	1000
納入者	ヒロセ電機(株)



- NOTES
- PER REEL 1000 CONNECTORS.
  - THE DIMENSIONS IN PARENTHESES ARE FOR REFERENCE.
  - REFER TO JIS C 0806 (PACKING OF COMPONENTS FOR AUTOMATIC HANDLING)
  - DETAIL OF PART No. LABEL IS WRITTEN IN JAPANESE. PART NO. LABEL DESCRIBES THE FOLLOWING INFORMATION FROM TOP.  
Production Date:  
Product Code: CL684-4034-7-58  
Part Number: DF40C(2.0)-60DS-0.4V(58)  
Number of pieces: 1000 pieces  
Supplier Name: Hirose Electric Co., Ltd.
  - AFTER PACKAGING, ROLL 2 METERS OF THE REINFORCEMENT COLLAR TO OUTER CIRCUMFERENCE OF TAPE AND REEL POCKET, AND TAPE DOWN AT THE END THE COLLAR.

**HRS**

図番:	EDC-313989-58-01
製品名:	DF40C(2.0)-60DS-0.4V(58)
製品コード:	CL684-4034-7-58

2/2