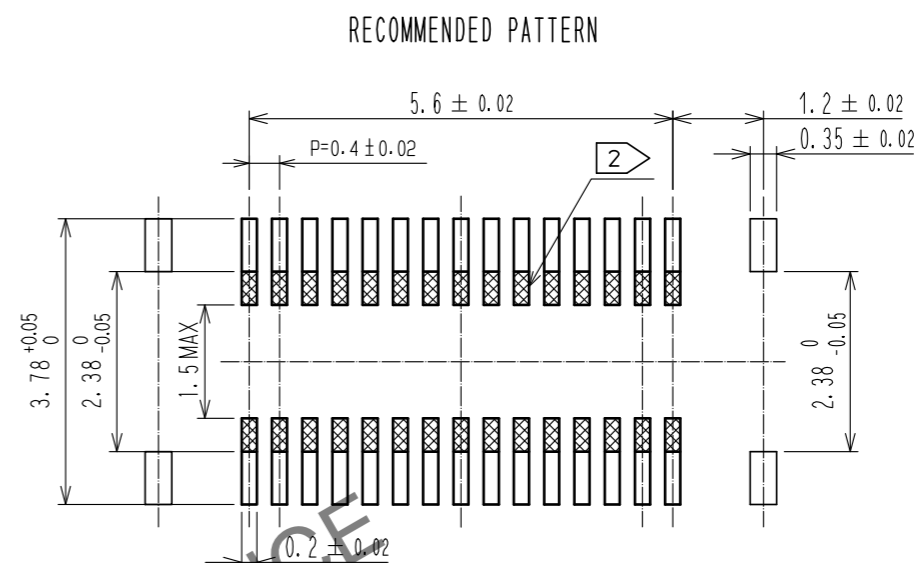
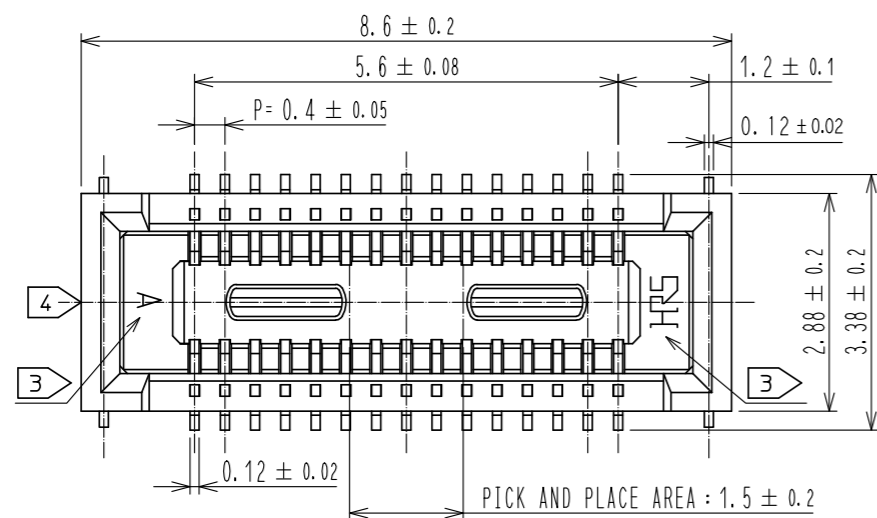
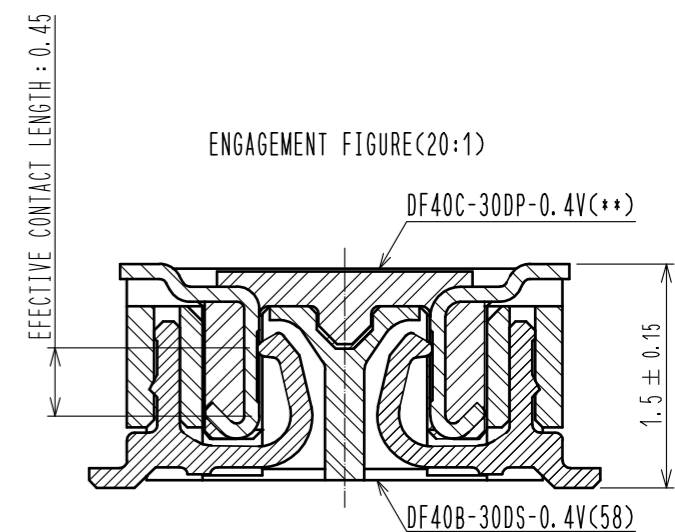
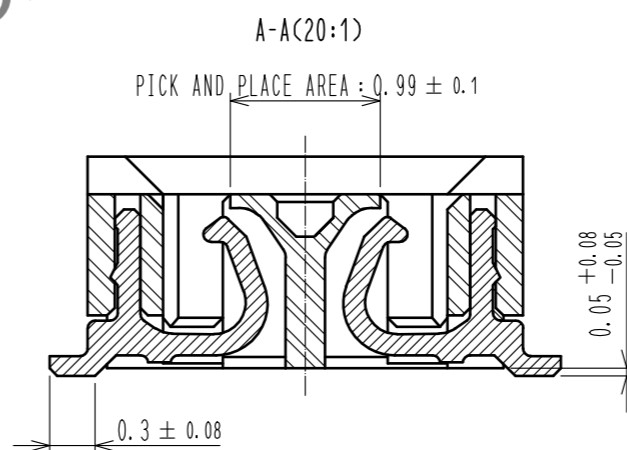
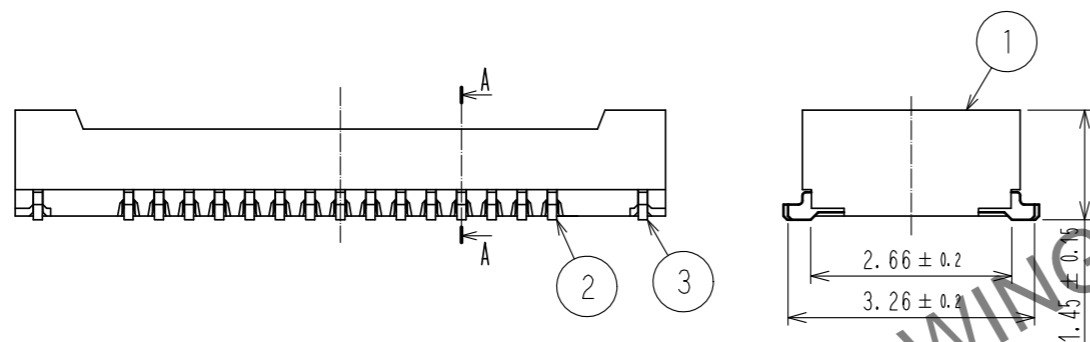


Sep.1.2024 Copyright 2024 HIROSE ELECTRIC CO., LTD. All Rights Reserved.
In case of consideration for using Automotive equipment / device which demand high reliability, kindly contact our sales window correspondents.



RECOMMENDED METAL MASK THICKNESS: 120 μm
RECOMMENDED MASK OPENING RATIO: 80% FOR LEAD PAD



- NOTES) 1. ALL LEADS METAL FITTINGS CO-PLANARITY SHALL BE 0.1mm MAX.
 2. IS NO PATTERN AREA OTHER THAN THE SAME CIRCUIT.
 3. HRS MARK AND CAV NO. IS INDICATED IN APPROXIMAL POSITION SHOWN.
 4. GATE POSITION IS POSITIONED IN APPROXIMAL AREA SHOWN.

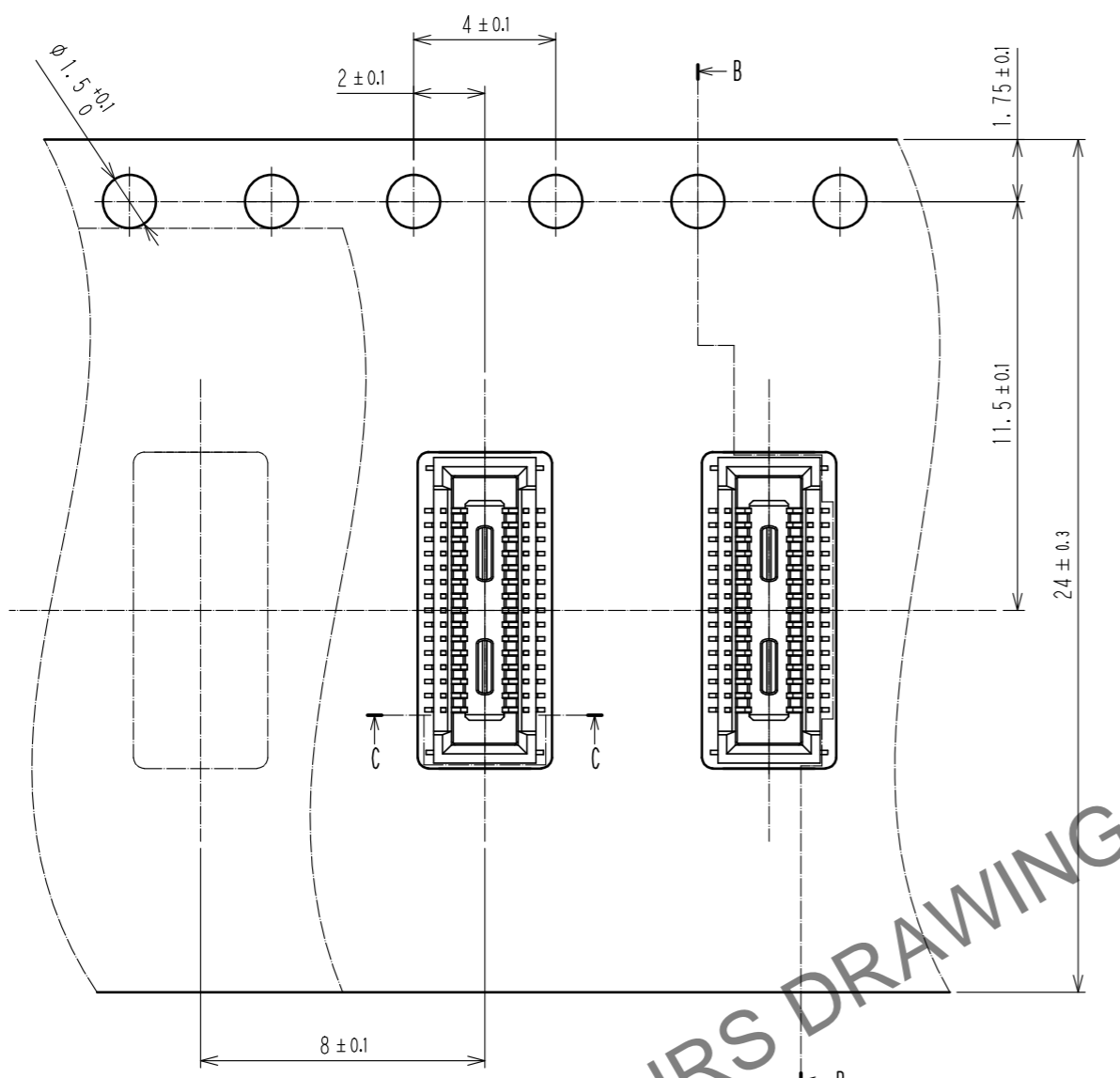
NO.	MATERIAL	FINISH . REMARKS	NO.	MATERIAL	FINISH . REMARKS
2	PHOSPHOR BRONZE	CONTACT AREA: GOLD 0.05 μm MIN SMT LEAD: GOLD 0.05 μm MIN UNDERPLATING: NICKEL 1 μm MIN	7	PS	CLEAR, REINFORCEMENT COLLAR
1	LCP	BLACK, UL94V-0	6	PS	BLACK
			5	POLYESTER	CLEAR, COVER TAPE
			4	PS	CLEAR, EMBOSSED CARRIER TAPE
			3	PHOSPHOR BRONZE	GOLD 0.05 μm MIN UNDERPLATING: NICKEL 1 μm MIN

UNITS	SCALE	COUNT	DESCRIPTION OF REVISIONS	DESIGNED	CHECKED	DATE
mm	10:1	△	APPROVED : WR. FUKUCHI 20191219			
			CHECKED : TS. MIYAZAKI 20191219			
			DESIGNED : RH. KAGAMI 20191219			
			DRAWN : RH. KAGAMI 20191219			

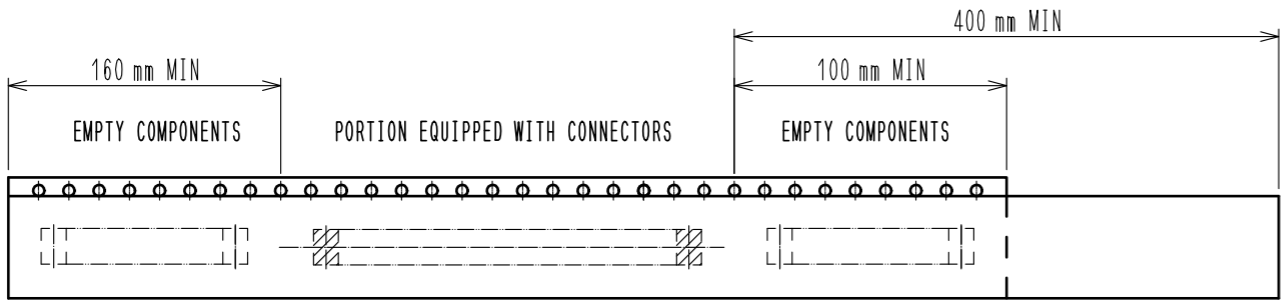
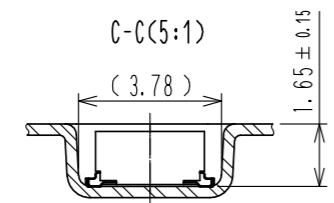
DRAWING NO.	PART NO.	CODE NO.
EDC-316874-58-00	DF40B-30DS-0.4V(58)	CL684-4090-8-58

Sep.1.2024 Copyright 2024 HIROSE ELECTRIC CO., LTD. All Rights Reserved.
 In case of consideration for using Automotive equipment / device which demand high reliability, kindly contact our sales window correspondents.

SCALE (5:1)



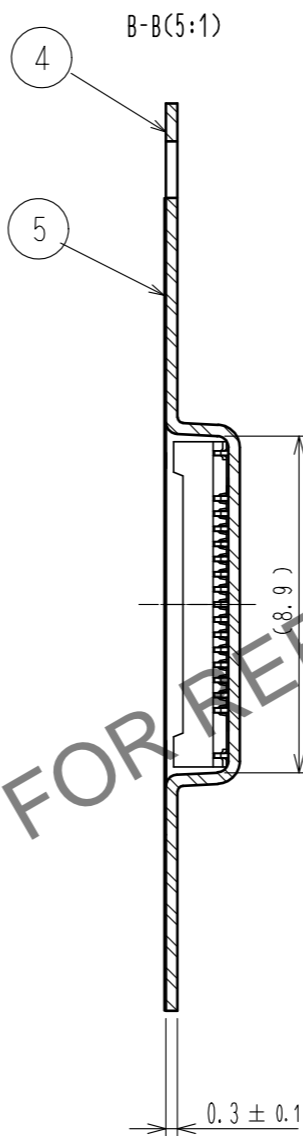
DIRECTION OF UNREELING →



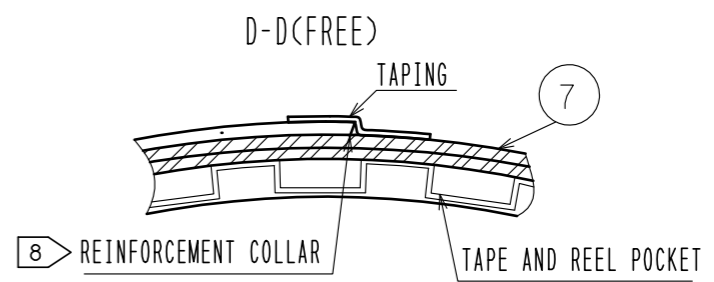
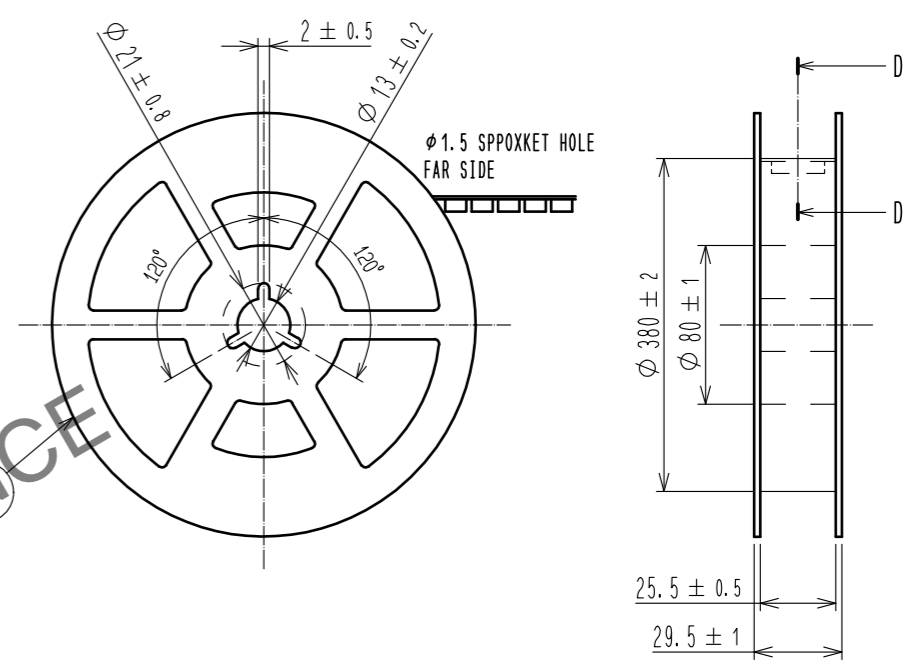
TRAILER

TAPPING

LEADER



STYLE AND DIMENSION OF REEL(FREE)



- NOTES
5. PER REEL 1000 CONNECTORS.
 6. THE DIMENSIONS IN PARENTHESES ARE FOR REFERENCE.
 7. REFER TO JIS C 0806 (PACKING OF COMPONENTS FOR AUTOMATIC HANDLING).
 8. AFTER PACKING. ROLL 2 METERS OF THE REINFORCEMENT COLLAR TO OUTER CIRCUMFERENCE OF TAPE AND REEL POCKET. AND TAPE DOWN AT THE END THE COLLAR.

HRS	DRAWING NO.	EDC-316874-58-00
	PART NO.	DF40B-30DS-0.4V(58)
	CODE NO.	CL684-4090-8-58
		2/2