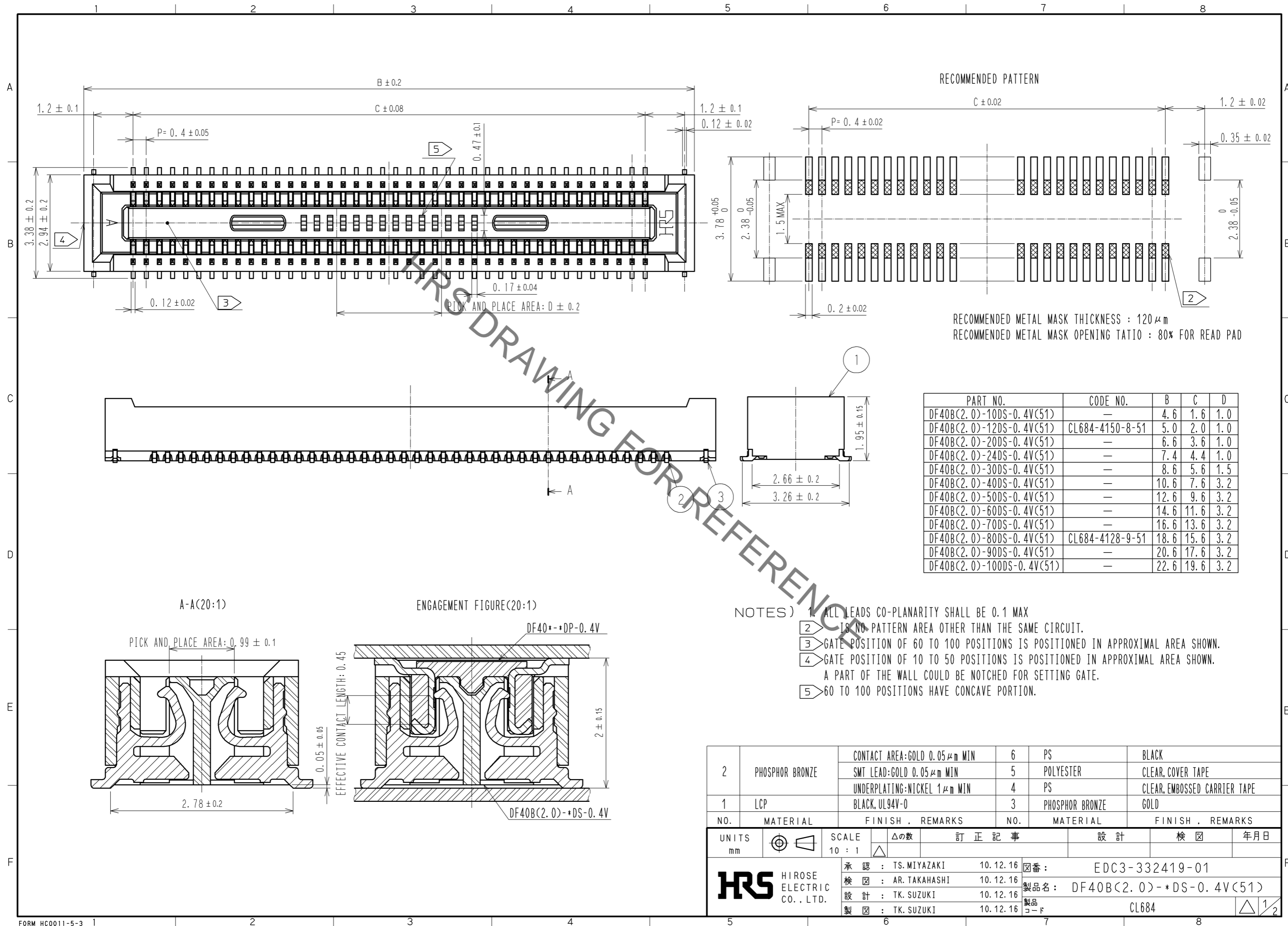


May.1.2021 Copyright 2021 HIROSE ELECTRIC CO., LTD. All Rights Reserved.
In case of consideration for using Automotive equipment / device which demand high reliability, kindly contact our sales window correspondents.



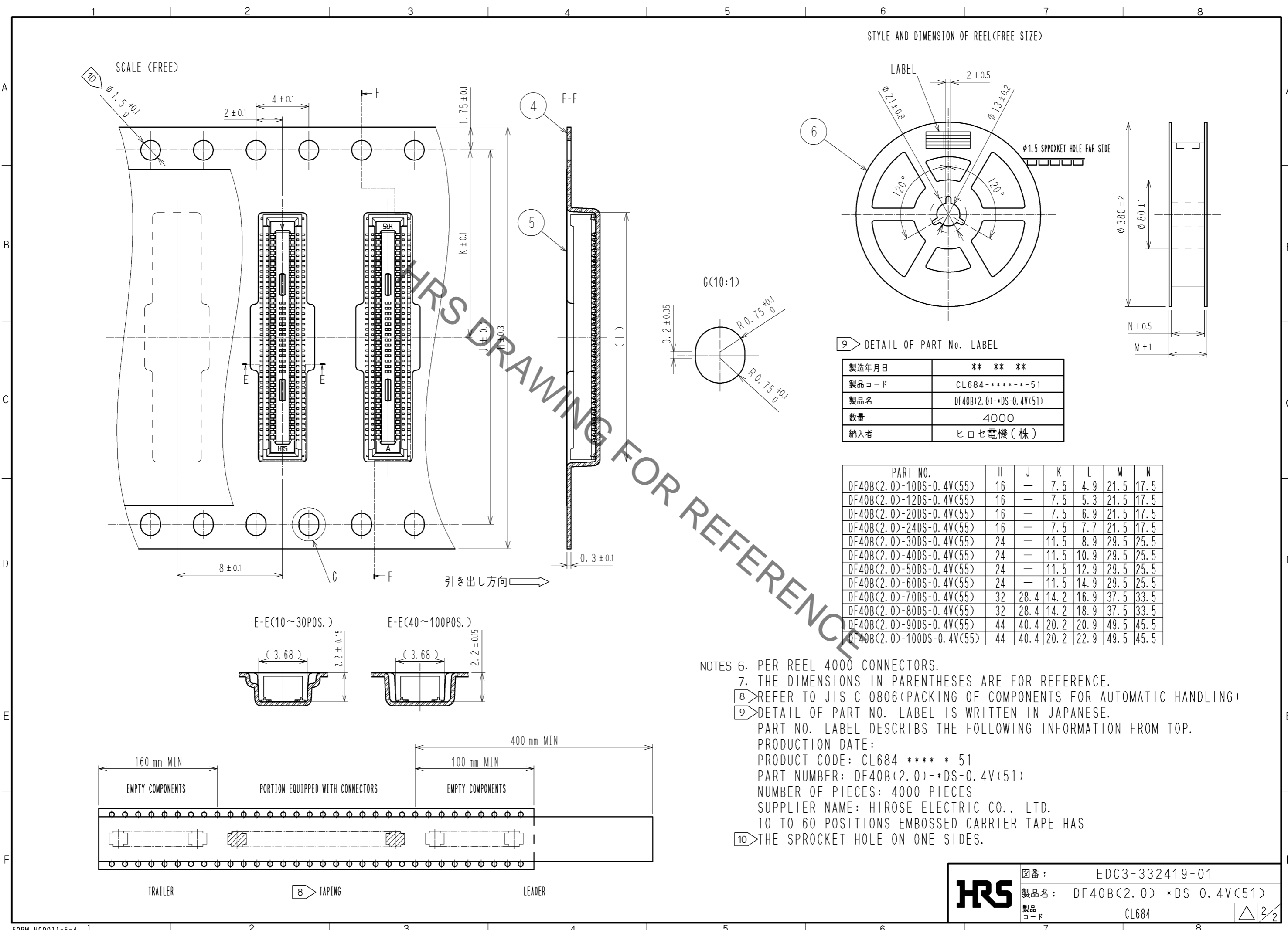
RECOMMENDED METAL MASK THICKNESS : 120 μm
RECOMMENDED METAL MASK OPENING RATIO : 80% FOR READ PAD

PART NO.	CODE NO.	B	C	D
DF40B(2.0)-10DS-0.4V(51)	—	4.6	1.6	1.0
DF40B(2.0)-12DS-0.4V(51)	CL684-4150-8-51	5.0	2.0	1.0
DF40B(2.0)-20DS-0.4V(51)	—	6.6	3.6	1.0
DF40B(2.0)-24DS-0.4V(51)	—	7.4	4.4	1.0
DF40B(2.0)-30DS-0.4V(51)	—	8.6	5.6	1.5
DF40B(2.0)-40DS-0.4V(51)	—	10.6	7.6	3.2
DF40B(2.0)-50DS-0.4V(51)	—	12.6	9.6	3.2
DF40B(2.0)-60DS-0.4V(51)	—	14.6	11.6	3.2
DF40B(2.0)-70DS-0.4V(51)	—	16.6	13.6	3.2
DF40B(2.0)-80DS-0.4V(51)	CL684-4128-9-51	18.6	15.6	3.2
DF40B(2.0)-90DS-0.4V(51)	—	20.6	17.6	3.2
DF40B(2.0)-100DS-0.4V(51)	—	22.6	19.6	3.2

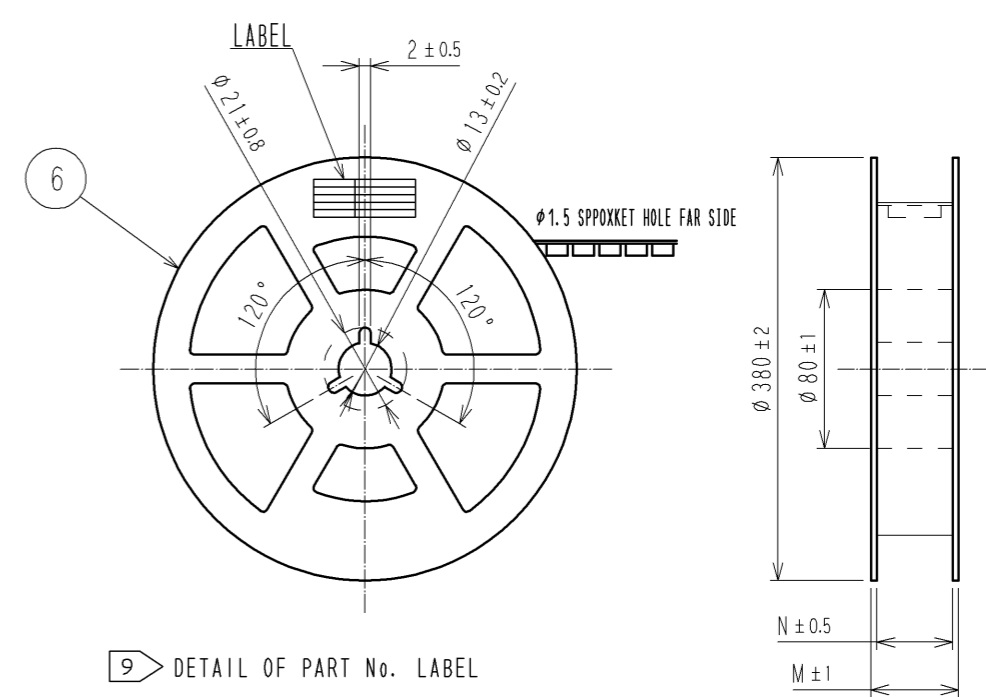
- NOTES)
- 1) ALL LEADS CO-PLANARITY SHALL BE 0.1 MAX
 - 2) IS NO. PATTERN AREA OTHER THAN THE SAME CIRCUIT.
 - 3) GATE POSITION OF 60 TO 100 POSITIONS IS POSITIONED IN APPROXIMAL AREA SHOWN.
 - 4) GATE POSITION OF 10 TO 50 POSITIONS IS POSITIONED IN APPROXIMAL AREA SHOWN.
 - 5) 60 TO 100 POSITIONS HAVE CONCAVE PORTION.

2	PHOSPHOR BRONZE	CONTACT AREA: GOLD 0.05 μm MIN	6	PS	BLACK			
		SMT LEAD: GOLD 0.05 μm MIN	5	POLYESTER	CLEAR, COVER TAPE			
		UNDERPLATING: NICKEL 1 μm MIN	4	PS	CLEAR, EMBOSSED CARRIER TAPE			
1	LCP	BLACK, UL94V-0	3	PHOSPHOR BRONZE	GOLD			
NO.	MATERIAL	FINISH . REMARKS	NO.	MATERIAL	FINISH . REMARKS			
UNITS	mm	SCALE	10 : 1	△の数	訂正記事	設計	検 査	年月日
		承認 : TS. MIYAZAKI	10.12.16	図番 : EDC3-332419-01				
		検 査 : AR. TAKAHASHI	10.12.16	製品名 : DF40B(2.0)-*DS-0.4V(51)				
		設 計 : TK. SUZUKI	10.12.16	製品				
		製 図 : TK. SUZUKI	10.12.16	コード		CL684		1/2

May.1.2021 Copyright 2021 HIROSE ELECTRIC CO., LTD. All Rights Reserved.
 In case of consideration for using Automotive equipment / device which demand high reliability, kindly contact our sales window correspondents.



STYLE AND DIMENSION OF REEL(FREE SIZE)



9) DETAIL OF PART No. LABEL

製造年月日	** ** *
製品コード	CL684-*****-51
製品名	DF40B(2.0)-*DS-0.4V(51)
数量	4000
納入者	ヒロセ電機(株)

PART NO.	H	J	K	L	M	N
DF40B(2.0)-10DS-0.4V(55)	16	—	7.5	4.9	21.5	17.5
DF40B(2.0)-12DS-0.4V(55)	16	—	7.5	5.3	21.5	17.5
DF40B(2.0)-20DS-0.4V(55)	16	—	7.5	6.9	21.5	17.5
DF40B(2.0)-24DS-0.4V(55)	16	—	7.5	7.7	21.5	17.5
DF40B(2.0)-30DS-0.4V(55)	24	—	11.5	8.9	29.5	25.5
DF40B(2.0)-40DS-0.4V(55)	24	—	11.5	10.9	29.5	25.5
DF40B(2.0)-50DS-0.4V(55)	24	—	11.5	12.9	29.5	25.5
DF40B(2.0)-60DS-0.4V(55)	24	—	11.5	14.9	29.5	25.5
DF40B(2.0)-70DS-0.4V(55)	32	28.4	14.2	16.9	37.5	33.5
DF40B(2.0)-80DS-0.4V(55)	32	28.4	14.2	18.9	37.5	33.5
DF40B(2.0)-90DS-0.4V(55)	44	40.4	20.2	20.9	49.5	45.5
DF40B(2.0)-100DS-0.4V(55)	44	40.4	20.2	22.9	49.5	45.5

- NOTES
- 6. PER REEL 4000 CONNECTORS.
 - 7. THE DIMENSIONS IN PARENTHESES ARE FOR REFERENCE.
 - 8) REFER TO JIS C 0806(PACKING OF COMPONENTS FOR AUTOMATIC HANDLING)
 - 9) DETAIL OF PART NO. LABEL IS WRITTEN IN JAPANESE.
PART NO. LABEL DESCRIBES THE FOLLOWING INFORMATION FROM TOP.
PRODUCTION DATE:
PRODUCT CODE: CL684-*****-51
PART NUMBER: DF40B(2.0)-*DS-0.4V(51)
NUMBER OF PIECES: 4000 PIECES
SUPPLIER NAME: HIROSE ELECTRIC CO., LTD.
 - 10) THE SPROCKET HOLE ON ONE SIDES.

HRS	図番:	EDC3-332419-01
	製品名:	DF40B(2.0)-*DS-0.4V(51)
	製品コード:	CL684