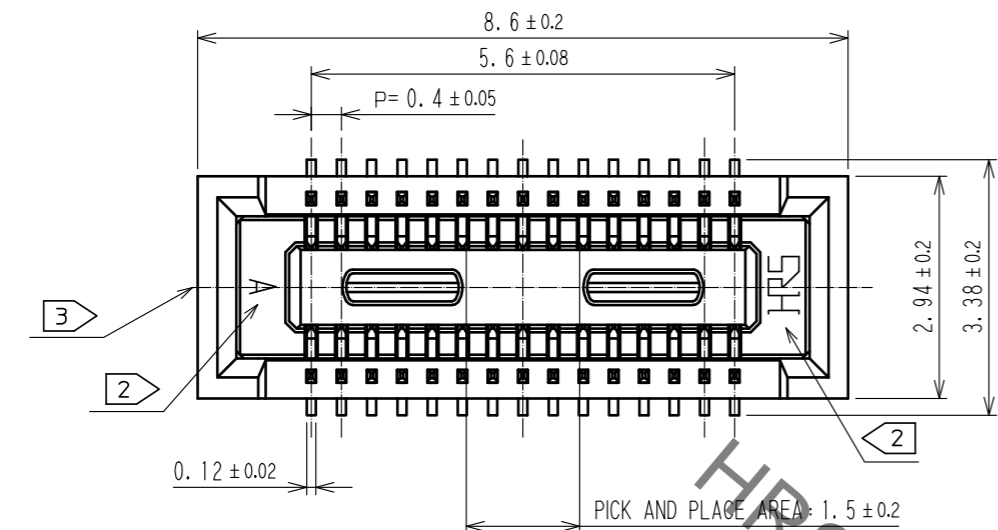
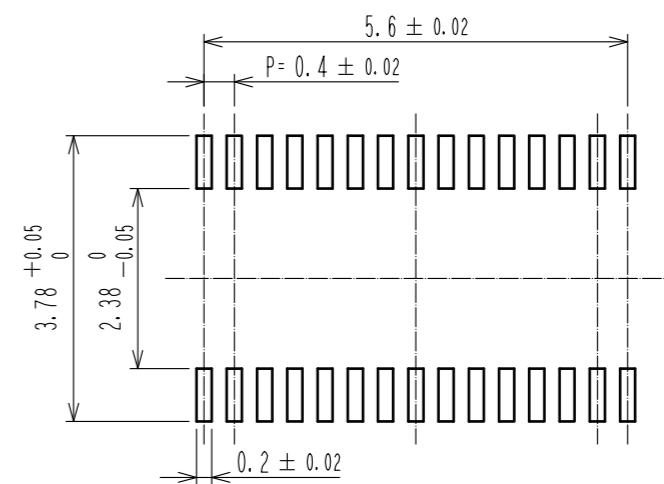


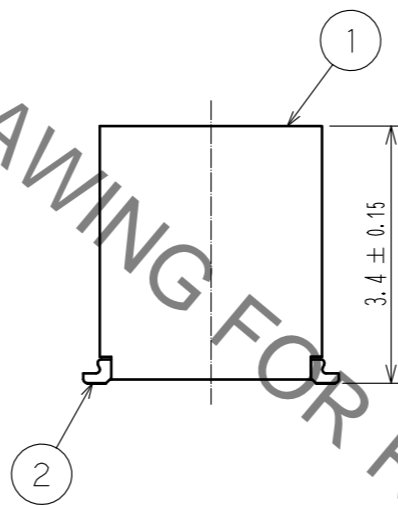
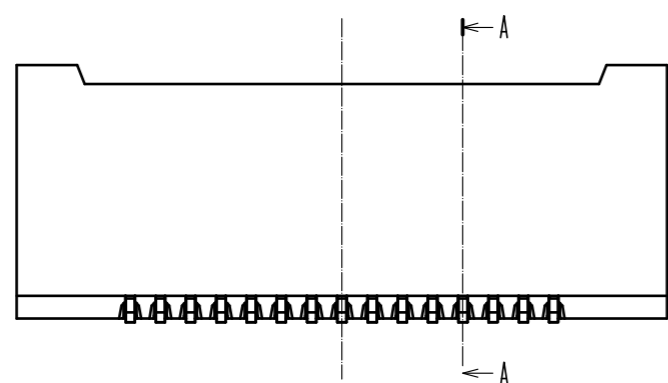
May.1.2021 Copyright 2021 HIROSE ELECTRIC CO., LTD. All Rights Reserved.  
 In case of consideration for using Automotive equipment / device which demand high reliability, kindly contact our sales window correspondents.



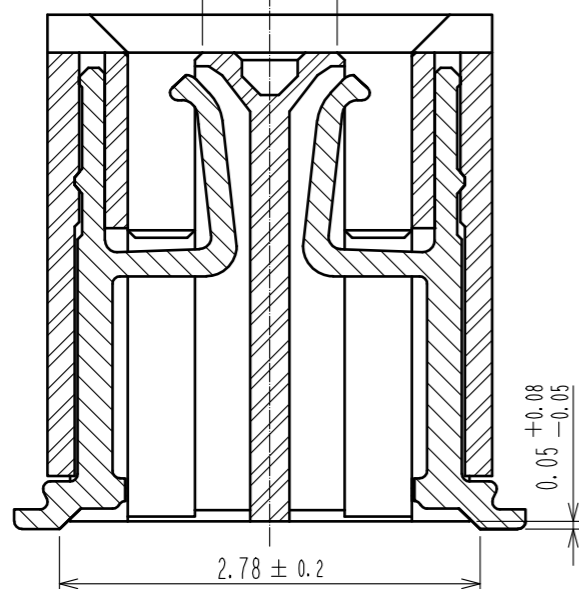
RECOMMENDED PATTERN



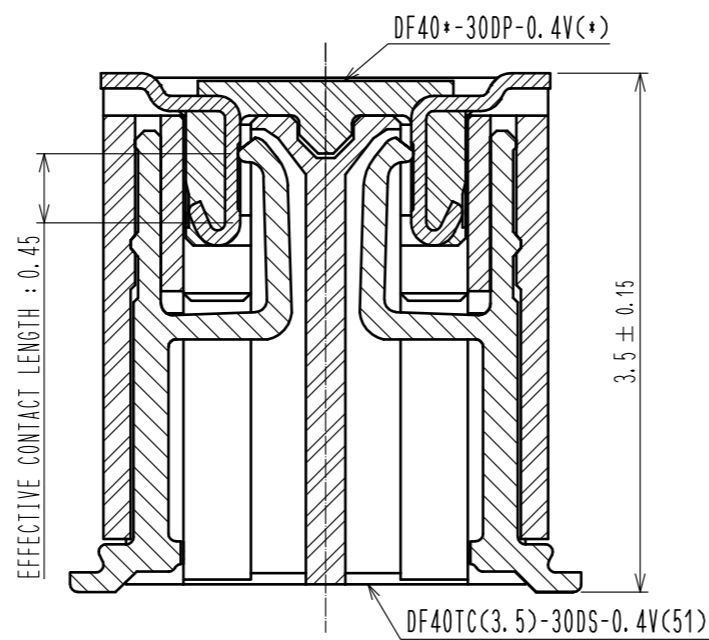
RECOMMENDED METAL MASK THICKNESS : 120 μm  
 RECOMMENDED METAL MASK OPENING RATIO : 80% FOR LEAD PAD



A-A(20:1)  
 PICK AND PLACE AREA : 0.99 ± 0.1



ENGAGEMENT FIGURE (20:1)



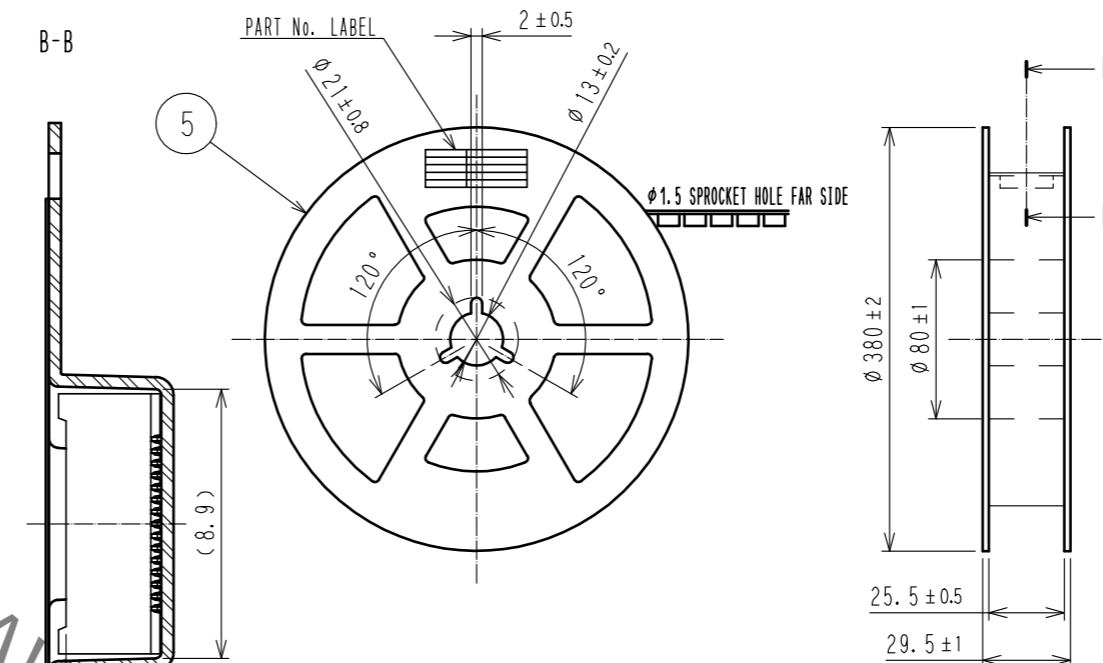
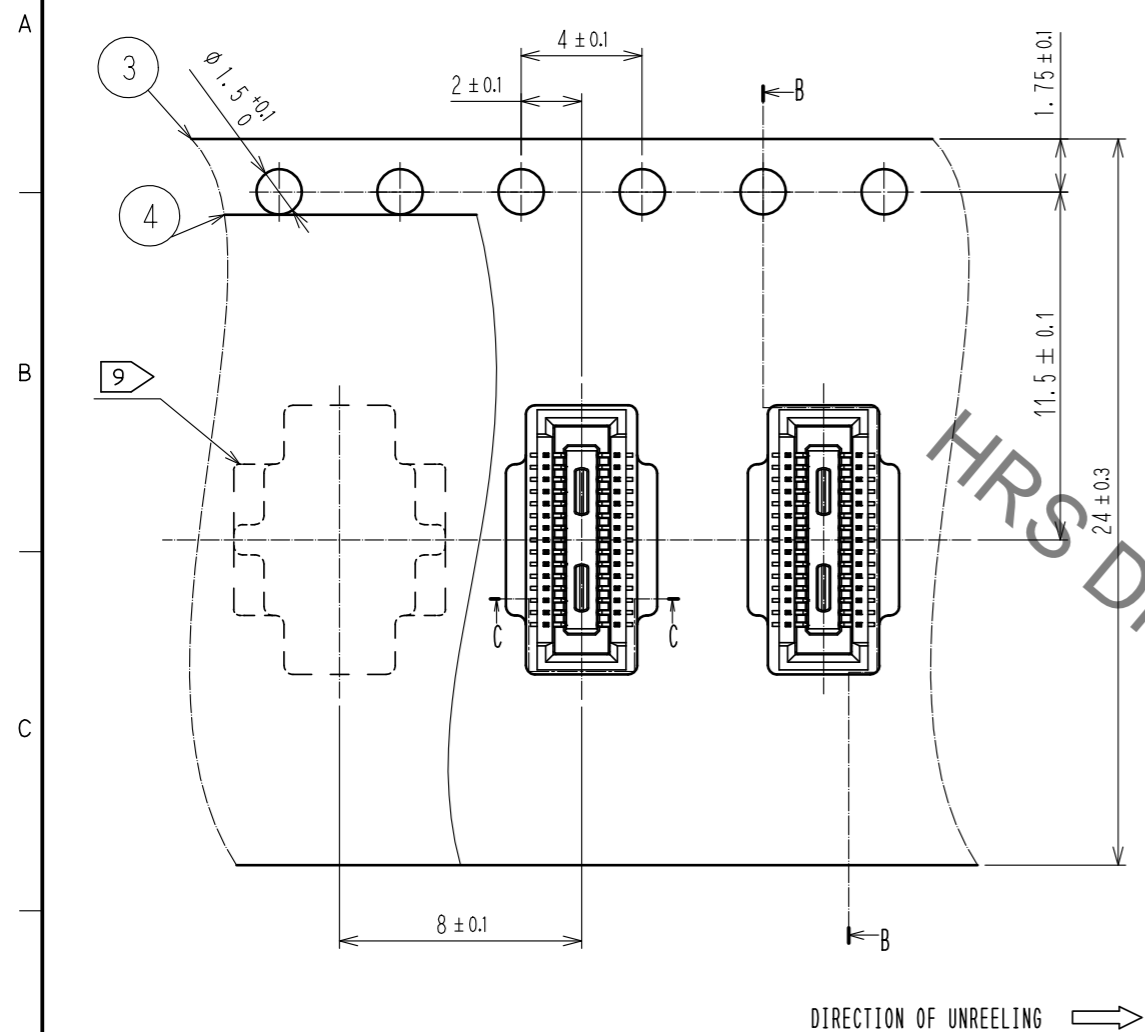
- NOTES) 1. ALL LEADS CO-PLANARITY SHALL BE 0.1 MAX.  
 2. HRS MARK AND CAV NO. ARE LOCATED IN APPROXIMAL AREA.  
 3. GATE IS LOCATED IN APPROXIMAL AREA.

2	COPPER ALLOY	CONTACT AREA:GOLD 0.05 μm MIN SMT LEAD:GOLD 0.05 μm MIN UNDERPLATING:NICKEL 1 μm MIN	6	PS	CLEAR, REINFORCEMENT COLLAR
			5	PS	BLACK
			4	POLYESTER	CLEAR, COVER TAPE
1	LCP	BLACK, UL94V-0	3	PS	CLEAR, EMBOSSED CARRIER TAPE
NO.	MATERIAL	FINISH, REMARKS	NO.	MATERIAL	FINISH, REMARKS
UNITS	⊙	SCALE	COUNT	DESCRIPTION OF REVISIONS	
mm		10:1	△	DESIGNED	CHECKED
HRS HIROSE ELECTRIC CO., LTD.		APPROVED : WR. FUKUCHI	18.07.06	DRAWING NO. EDC-380574-51-00	
		CHECED : WR. FUKUCHI	18.07.06	PART NO. DF40TC(3.5)-30DS-0.4V(51)	
		DESIGNED : SJ. WADA	18.07.06	CODE NO. CL684-4237-0-51	
		DRAWN : RH. KAGAMI	18.07.06	1/2	

May.1.2021 Copyright 2021 HIROSE ELECTRIC CO., LTD. All Rights Reserved.  
In case of consideration for using Automotive equipment / device which demand high reliability, kindly contact our sales window correspondents.

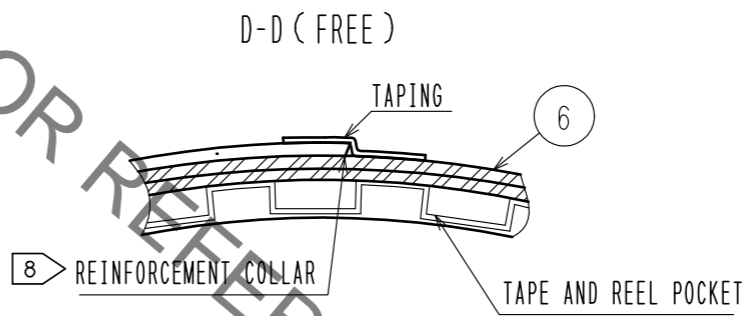
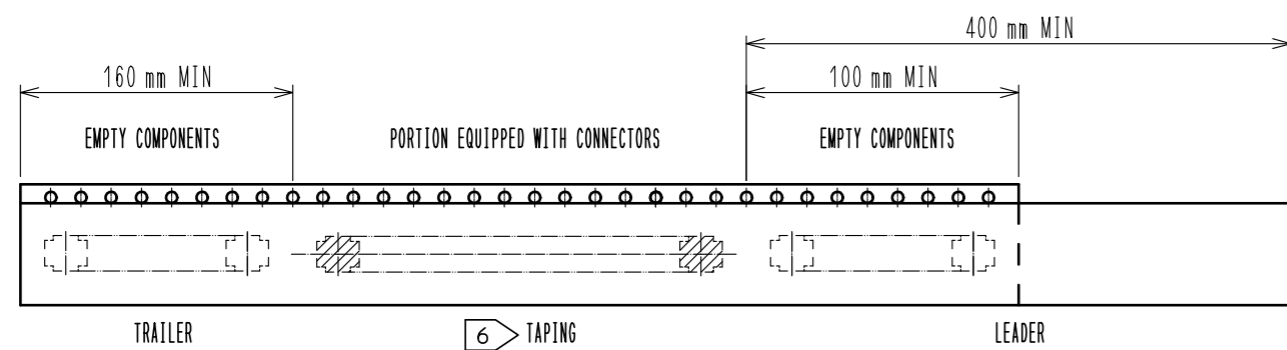
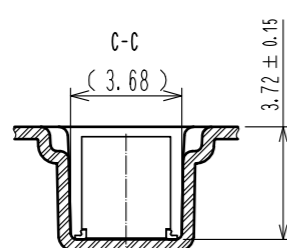
### EMBOSSED CARRIER TAPE PACKAGING (FREE)

### STYLE AND DIMENSION OF REEL (FREE)



7) DETAIL OF PART No. LABEL

製造年月日	** ** *
製品コード	CL684-4237-0-51
製品名	DF40TC(3.5)-30DS-0.4V(51)
数量	2000
納入者	ヒロセ電機(株)



- NOTES
- PER REEL 2000 CONNECTORS.
  - THE DIMENSIONS IN PARENTHESES ARE FOR REFERENCE.
  - REFER TO JIS C 0806(IEC 60286-3)(PACKING OF COMPONENTS FOR AUTOMATIC HANDLING)
  - DETAIL OF PART NO. LABEL IS WRITTEN IN JAPANESE. PART NO. LABEL DESCRIBES THE FOLLOWING INFORMATION FROM TOP.  
PRODUCTION DATE:  
PRODUCT CODE: CL684-4237-0-51  
PART NUMBER: DF40TC(3.5)-30DS-0.4V(51)  
NUMBER OF PIECES: 2000 PIECES  
SUPPLIER NAME: HIROSE ELECTRIC CO., LTD.
  - AFTER PACKAGING, ROLL 2 METERS OF THE REINFORCEMENT COLLAR TO OUTER CIRCUMFERENCE OF TAPE AND REEL POCKET, AND TAPE DOWN AT THE END THE COLLAR.
  - ONE OF SEVERAL IS DIFFERENT IN FROM OF THE EMBOSSED CARRIER TAPE TO AVOID BEING STUCK IN.

<b>HRS</b>	DRAWING NO.	EDC-380574-51-00
	PART NO.	DF40TC(3.5)-30DS-0.4V(51)
	CODE NO.	CL684-4237-0-51
		2/2