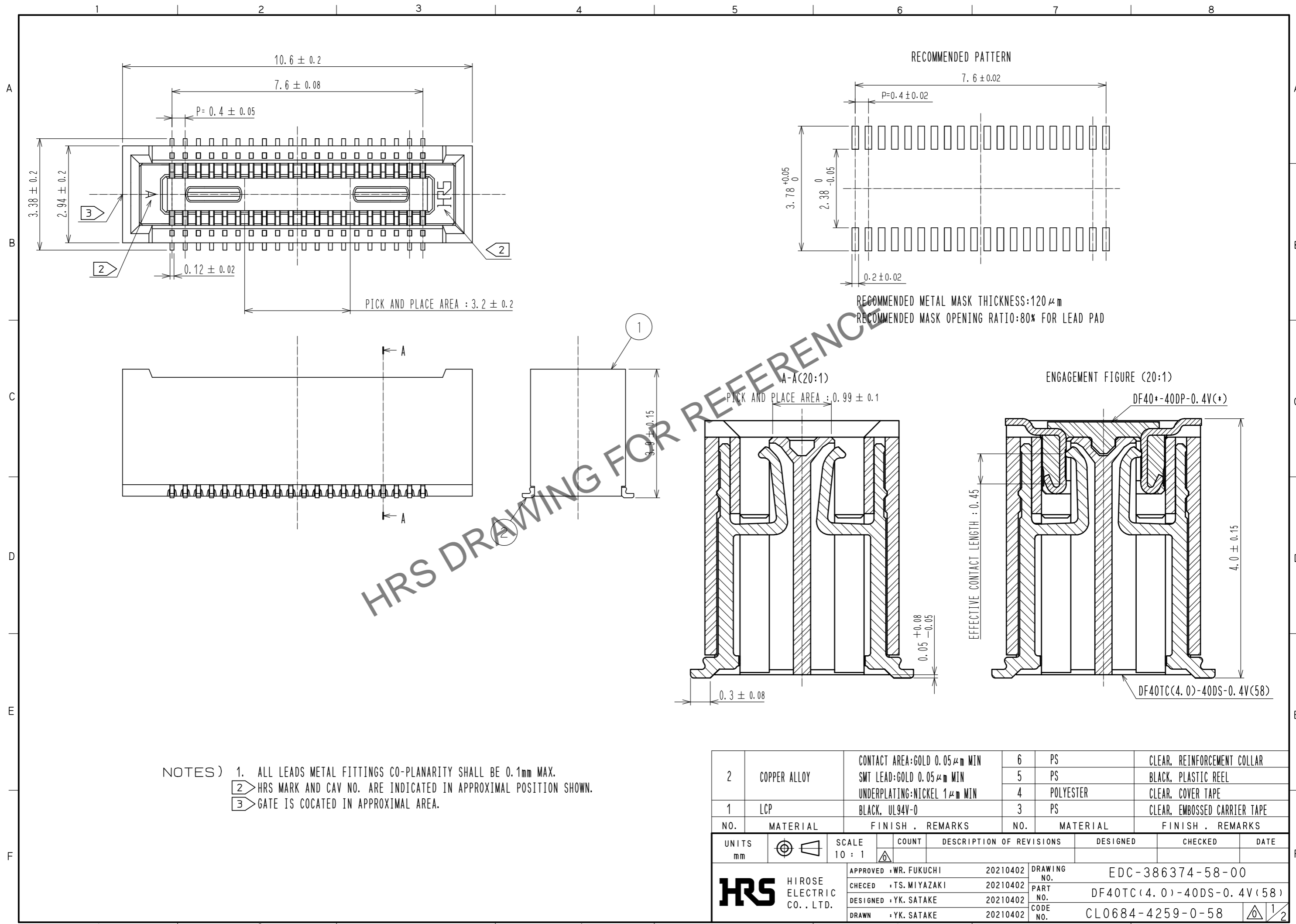


Nov.1.2024 Copyright 2024 HIROSE ELECTRIC CO., LTD. All Rights Reserved.
In case of consideration for using Automotive equipment / device which demand high reliability, kindly contact our sales window correspondents.

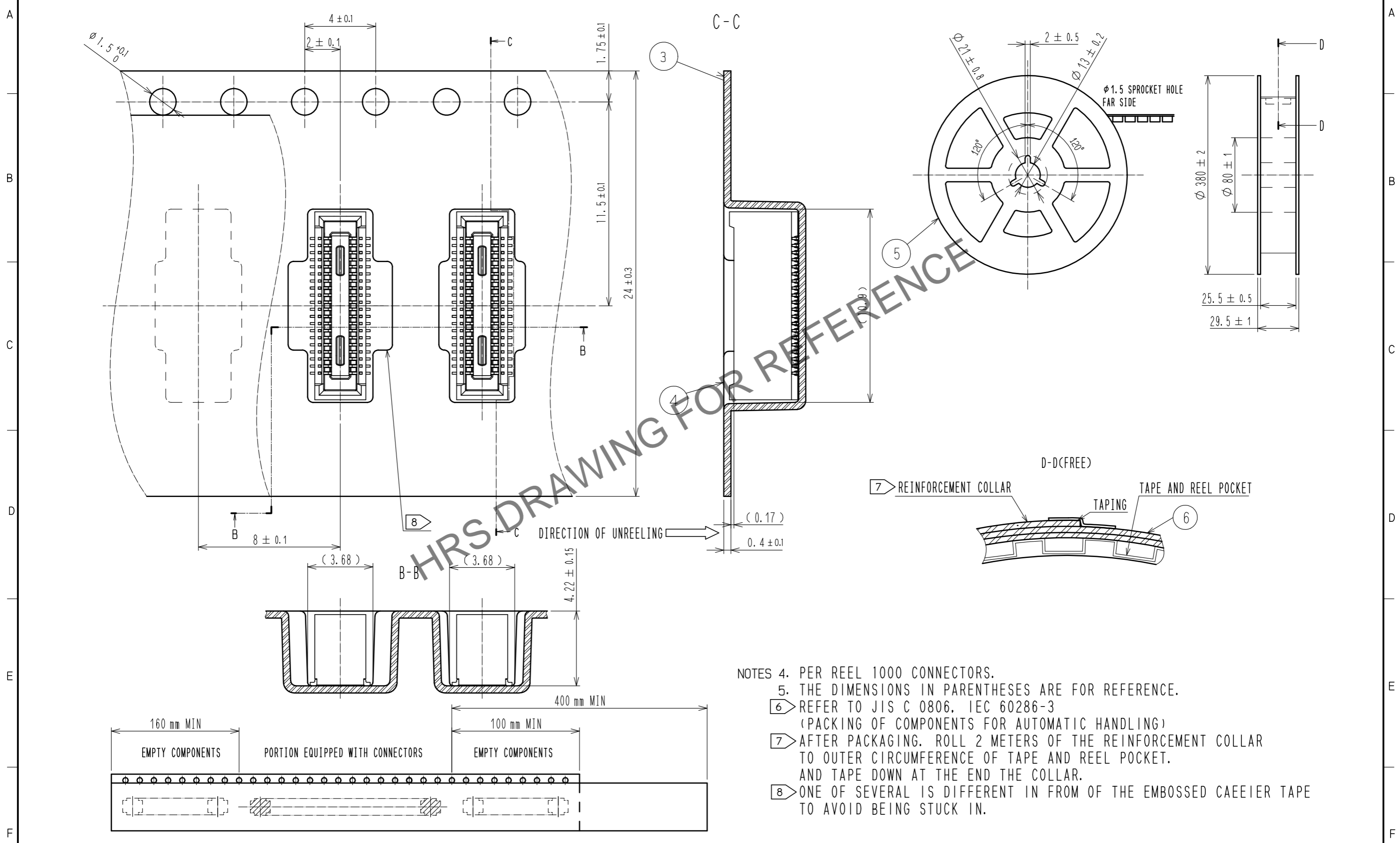


| 2 | COPPER ALLOY | CONTACT AREA: GOLD 0.05 μm MIN SMT LEAD: GOLD 0.05 μm MIN UNDERPLATING: NICKEL 1 μm MIN | 6 | PS | CLEAR, REINFORCEMENT COLLAR |
|---------------------------------|--------------|---|------------------------------------|-----------|------------------------------|
| | | | 5 | PS | BLACK, PLASTIC REEL |
| | | | 4 | POLYESTER | CLEAR, COVER TAPE |
| 1 | LCP | BLACK, UL94V-0 | 3 | PS | CLEAR, EMBOSSED CARRIER TAPE |
| NO. | MATERIAL | FINISH, REMARKS | NO. | MATERIAL | FINISH, REMARKS |
| UNITS mm | | SCALE 10 : 1 | COUNT | | DESCRIPTION OF REVISIONS |
| DESIGNED | | CHECKED | | DATE | |
| APPROVED : WR. FUKUCHI 20210402 | | | DRAWING NO. EDC-386374-58-00 | | |
| CHECKED : TS. MIYAZAKI 20210402 | | | PART NO. DF40TC(4.0)-40DS-0.4V(58) | | |
| DESIGNED : YK. SATAKE 20210402 | | | CODE NO. CL0684-4259-0-58 | | |
| DRAWN : YK. SATAKE 20210402 | | | 1/2 | | |

Nov.1.2024 Copyright 2024 HIROSE ELECTRIC CO., LTD. All Rights Reserved.
In case of consideration for using Automotive equipment / device which demand high reliability, kindly contact our sales window correspondents.

EMBOSSED CARRIER TAPE PACKAGING (5:1)

STYLE AND DIMENSION OF REEL(FREE)



- NOTES
4. PER REEL 1000 CONNECTORS.
 5. THE DIMENSIONS IN PARENTHESES ARE FOR REFERENCE.
 6. REFER TO JIS C 0806, IEC 60286-3 (PACKING OF COMPONENTS FOR AUTOMATIC HANDLING)
 7. AFTER PACKAGING, ROLL 2 METERS OF THE REINFORCEMENT COLLAR TO OUTER CIRCUMFERENCE OF TAPE AND REEL POCKET. AND TAPE DOWN AT THE END THE COLLAR.
 8. ONE OF SEVERAL IS DIFFERENT IN FROM OF THE EMBOSSED CARRIER TAPE TO AVOID BEING STUCK IN.

| | | |
|------------|-------------|---------------------------|
| HRS | DRAWING NO. | EDC-386374-58-00 |
| | PART NO. | DF40TC(4.0)-40DS-0.4V(58) |
| | CODE NO. | CL0684-4259-0-58 |
| | | 2/2 |