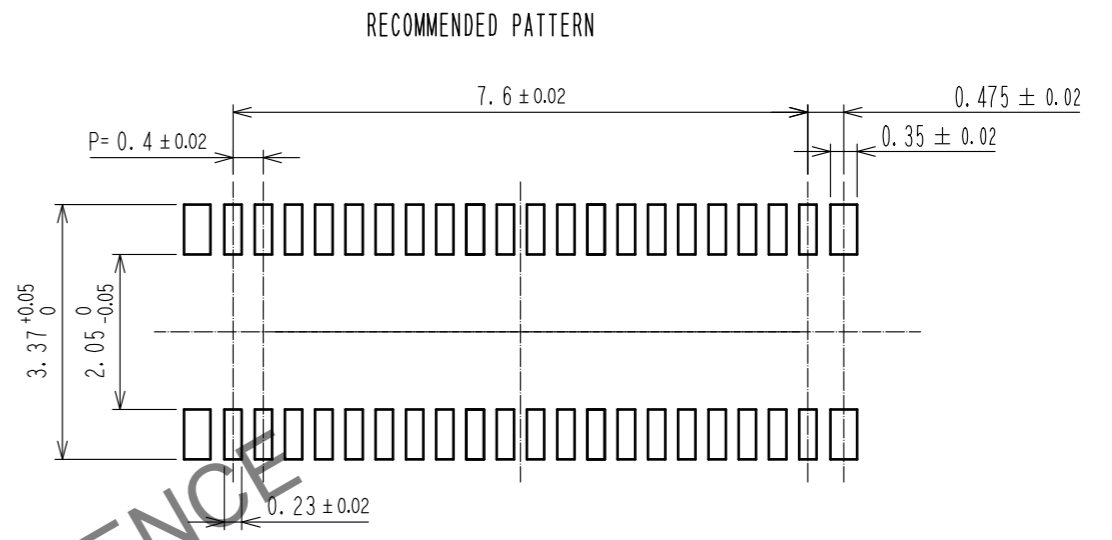
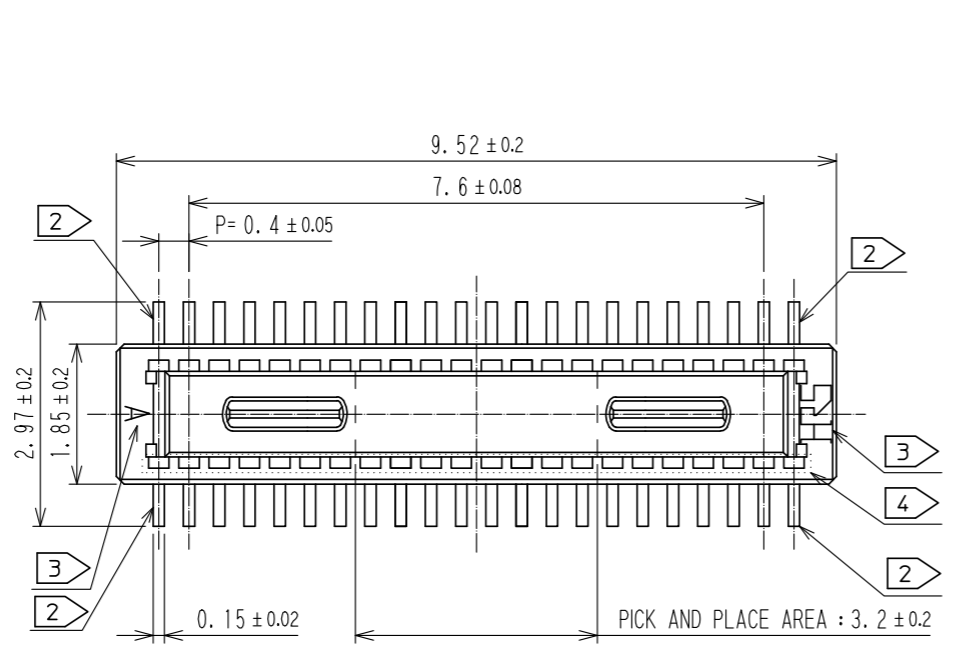
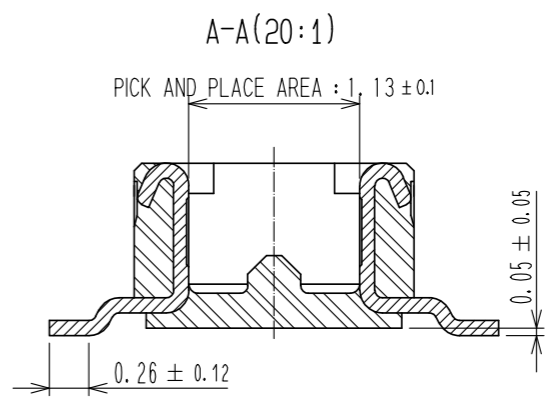
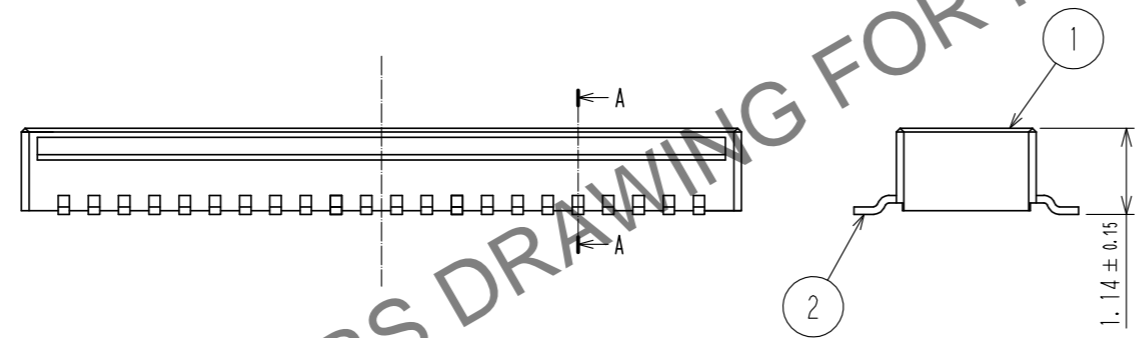


Jul.1.2024 Copyright 2024 HIROSE ELECTRIC CO., LTD. All Rights Reserved.
 In case of consideration for using Automotive equipment / device which demand high reliability, kindly contact our sales window correspondents.



RECOMMENDED METAL MASK THICKNESS : 120 μm
 RECOMMENDED METAL MASK OPENING RATIO : 80% FOR LEAD PAD



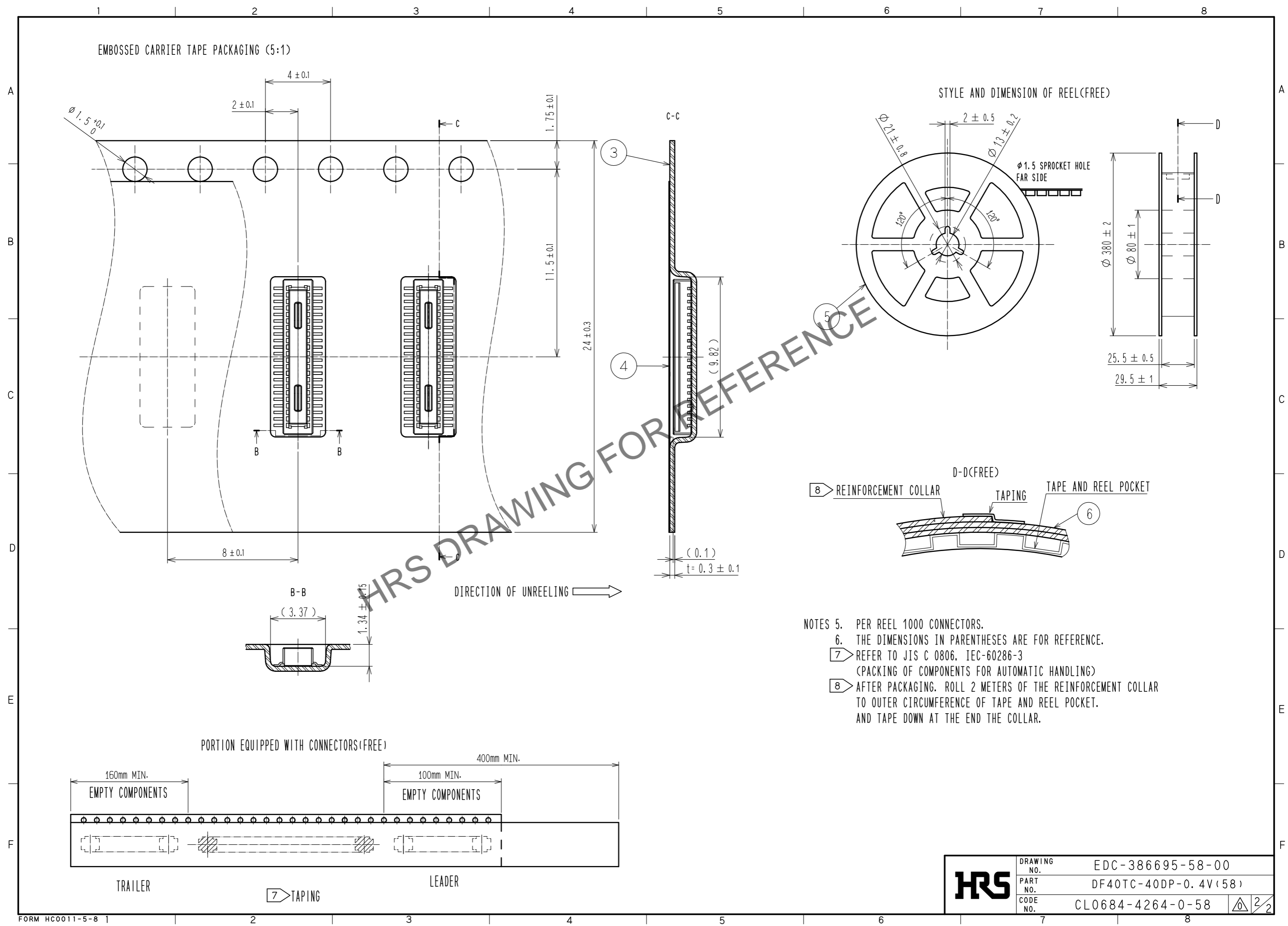
- NOTES
1. ALL LEADS CO-PLANARITY SHALL BE 0.1mm MAX.
 2. EACH ONE CONTACT AT 4 CORNERS SHALL BE METAL HOLD DOWN.
 3. HRS MARK AND CAV NO. ARE LOCATED IN APPROXIMAL AREA.
 4. THERE IS A POSSIBILITY THAT THE RESIN WILL BE EXPOSED AT THIS AREA. BUT THIS WILL NOT AFFECT THE CONTACT RELIABILITY.

NO.	MATERIAL	FINISH .	REMARKS	NO.	MATERIAL	FINISH .	REMARKS
2	COPPER ALLOY	CONTACT AREA:GOLD	0.05 μm MIN	6	PS		CLEAR, REINFORCEMENT COLLAR
		SMT LEAD:GOLD	0.05 μm MIN	5	PS		BLACK, PLASTIC REEL
		UNDERPLATING:NICKEL	1 μm MIN	4	POLYESTER		CLEAR, COVER TAPE
1	LCP	BLACK, UL94V-0		3	PS		CLEAR, EMBOSSED CARRIER TAPE

UNITS	SCALE	COUNT	DESCRIPTION OF REVISIONS	DESIGNED	CHECKED	DATE
mm	10 : 1	△				
HRS HIROSE ELECTRIC CO., LTD.			APPROVED : WR. FUKUCHI 20210303 CHECKED : TS. MIYAZAKI 20210303 DESIGNED : YK. SATAKE 20210303 DRAWN : YK. SATAKE 20210303	DRAWING NO. EDC-386695-58-00 PART NO. DF40TC-40DP-0.4V(58) CODE NO. CL0684-4264-0-58		

In case of consideration for using Automotive equipment / device which demand high reliability, kindly contact our sales window correspondents.

Jul.1.2024 Copyright 2024 HIROSE ELECTRIC CO., LTD. All Rights Reserved.



HRS DRAWING FOR REFERENCE

- NOTES
- 5. PER REEL 1000 CONNECTORS.
 - 6. THE DIMENSIONS IN PARENTHESES ARE FOR REFERENCE.
 - 7. REFER TO JIS C 0806, IEC-60286-3 (PACKING OF COMPONENTS FOR AUTOMATIC HANDLING)
 - 8. AFTER PACKAGING. ROLL 2 METERS OF THE REINFORCEMENT COLLAR TO OUTER CIRCUMFERENCE OF TAPE AND REEL POCKET. AND TAPE DOWN AT THE END THE COLLAR.

HRS	DRAWING NO.	EDC-386695-58-00
	PART NO.	DF40TC-40DP-0.4V(58)
	CODE NO.	CL0684-4264-0-58
		2/2