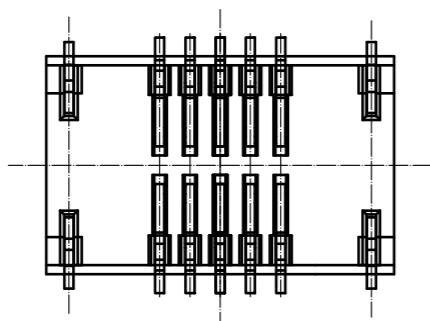
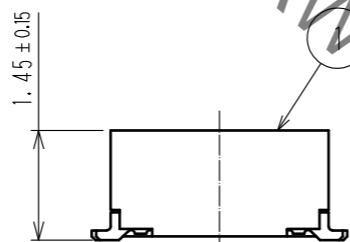
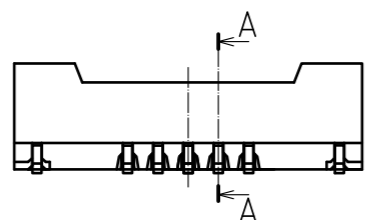
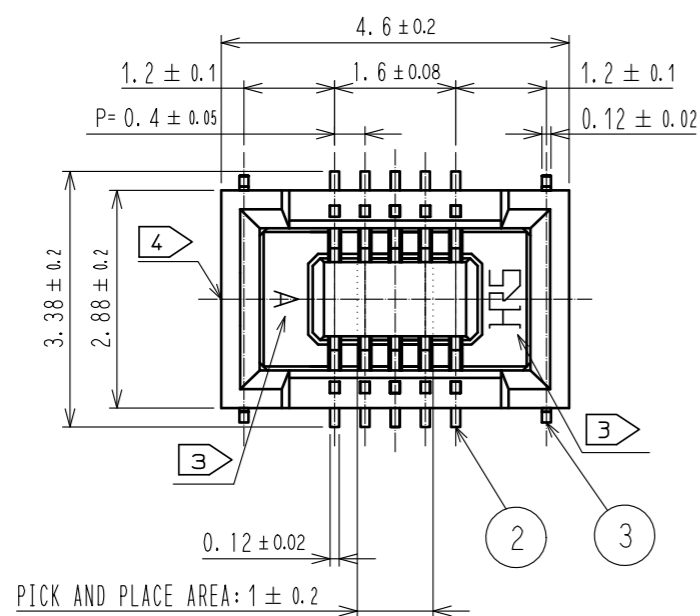
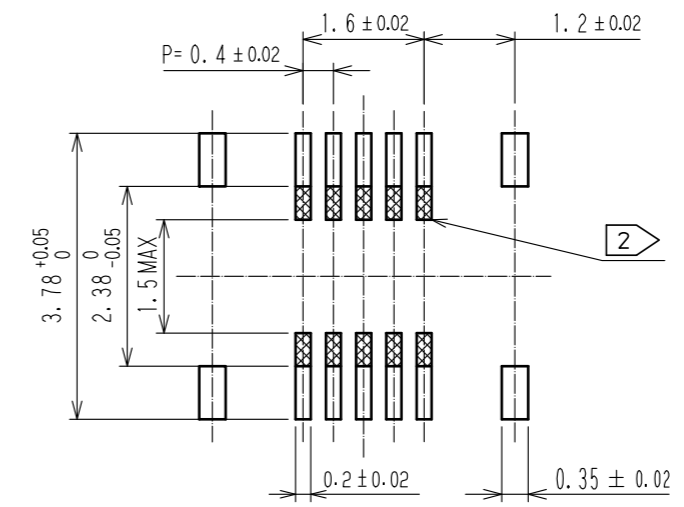


Jun.1.2023 Copyright 2023 HIROSE ELECTRIC CO., LTD. All Rights Reserved.
 In case of consideration for using Automotive equipment / device which demand high reliability, kindly contact our sales window correspondents.

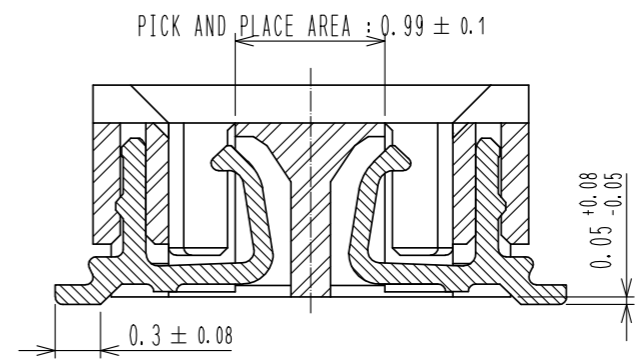


RECOMMENDED PATTERN

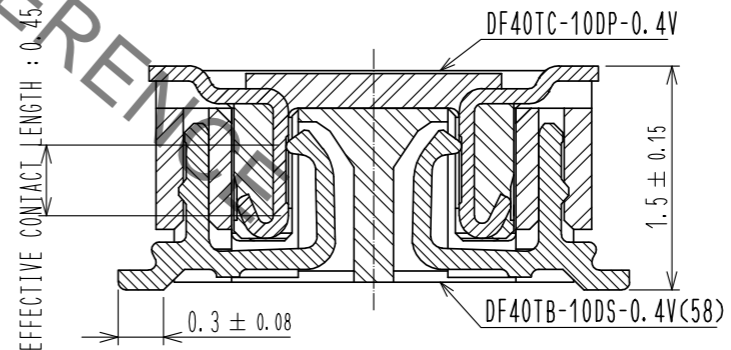


RECOMMENDED METAL MASK THICKNESS : 120#m
 RECOMMENDED MASK OPENING RATIO : 80% FOR LEAD PAD

A-A(20:1)



ENGAGEMENT FIGURE (20:1)



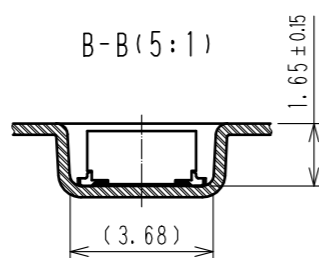
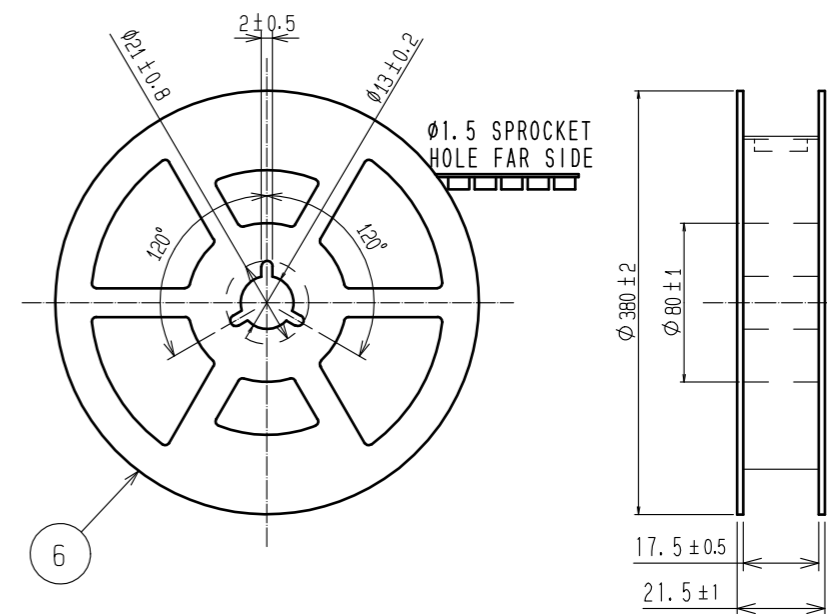
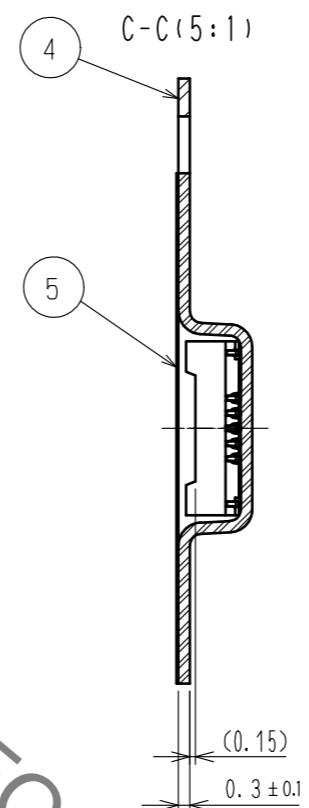
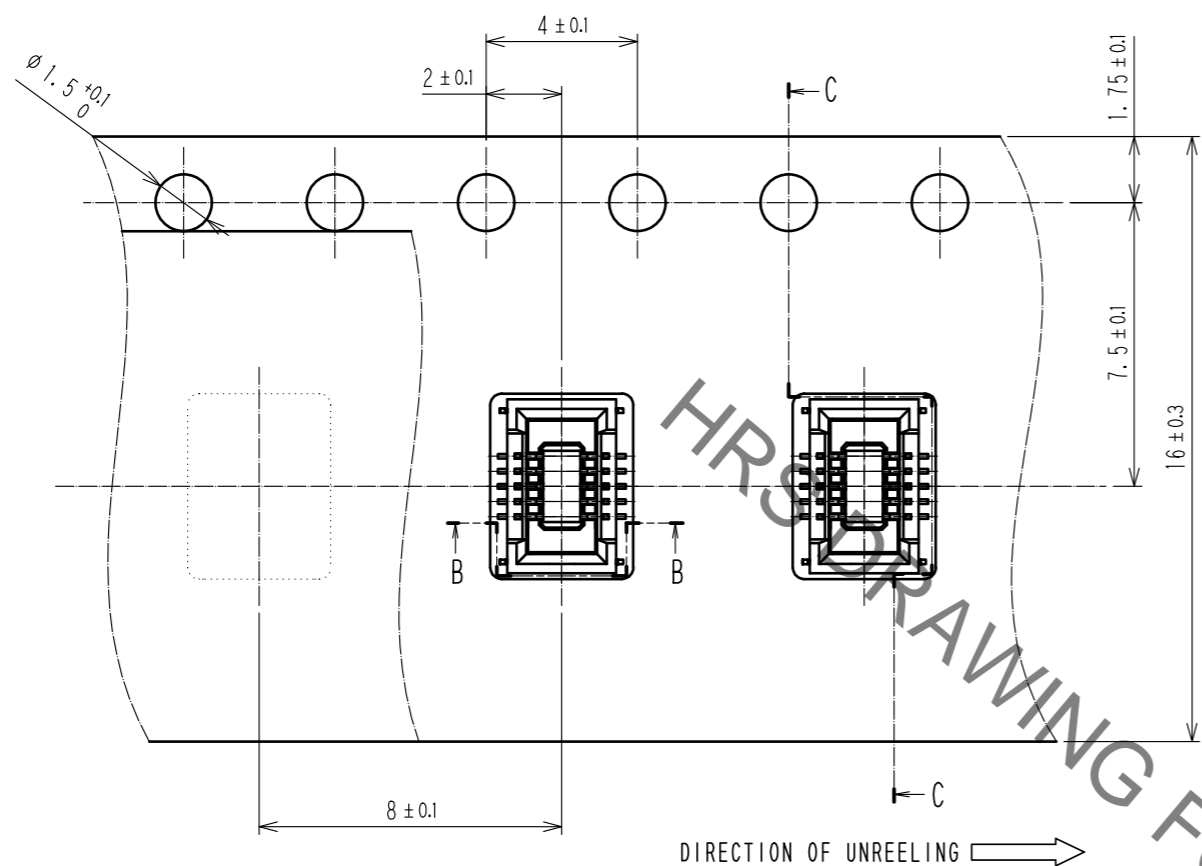
NOTE 1. ALL LEADS CO-PLANARITY SHALL BE 0.1 MAX.
 2. IS NO PATTERN AREA OTHER THAN THE SAME CIRCUIT.
 3. HRS MARK AND CAV NO. ARE INDICATED IN APPROX. POSITION SHOWN.
 4. GATE IS LOCATED IN APPROXIMAL AREA.

| 3 | COPPER ALLOY | GOLD 0.05#m MIN UNDERPLATING-NICKEL 1#m MIN | 7 | PS | CLEAR-REINFORCEMENT COLLAR | | | |
|--------------------------------------|--------------|--|----------|-------------------------------|------------------------------|----------|---------|------|
| 2 | COPPER ALLOY | GOLD 0.05#m MIN UNDERPLATING-NICKEL 1#m MIN | 6 | PS | BLACK-PLASTIC REEL | | | |
| 1 | LCP | UL94V-0-BLACK | 5 | POLYESTER | CLEAR-COVER TAPE | | | |
| | | | 4 | PS | CLEAR(EMBOSSED CARRIER TAPE) | | | |
| NO. | MATERIAL | FINISH , REMARKS | NO. | MATERIAL | FINISH , REMARKS | | | |
| UNITS | mm | SCALE | 10:1 | COUNT | DESCRIPTION OF REVISIONS | DESIGNED | CHECKED | DATE |
| HRS HIROSE ELECTRIC CO., LTD. | | APPROVED : WR. FUKUCHI | 20210303 | DRAWING NO. EDC-388250-58-00 | | | | |
| | | CHECED : TS. MIYAZAKI | 20210303 | PART NO. DF40TB-10DS-0.4V(58) | | | | |
| | | DESIGNED : YK. SATAKE | 20210303 | CODE NO. CL0684-4273-0-58 | | | | |
| | | DRAWN : YK. SATAKE | 20210303 | | | | | |

Jun.1.2023 Copyright 2023 HIROSE ELECTRIC CO., LTD. All Rights Reserved.
 In case of consideration for using Automotive equipment / device which demand high reliability, kindly contact our sales window correspondents.

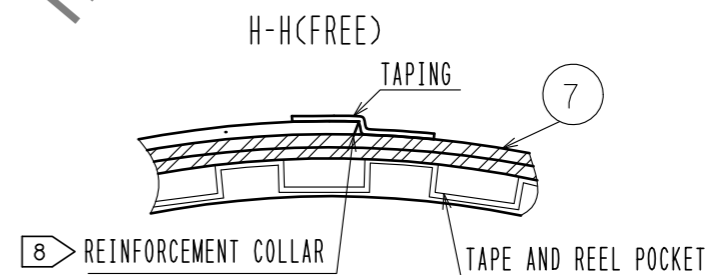
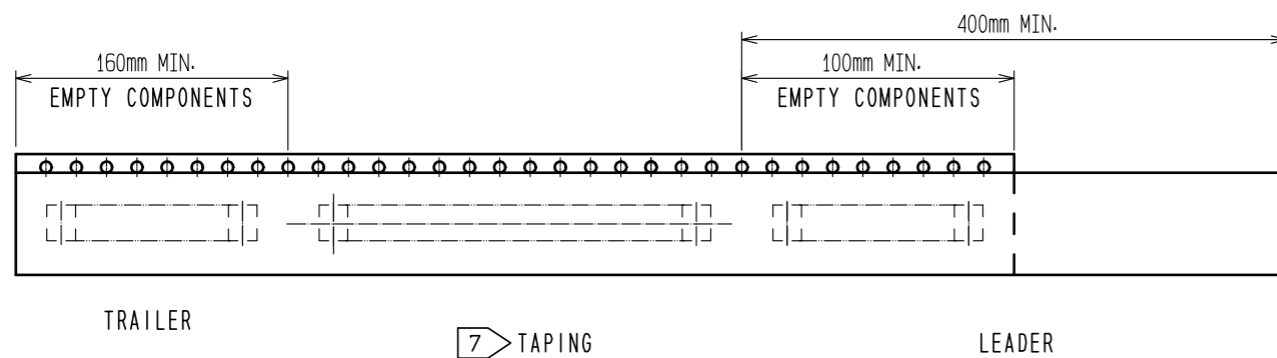
EMBOSED CARRIER TAPE PACKAGING (5:1)

STYLE AND DIMENSIONS OF REEL (FREE)



- NOTES
- 5. PER REEL 1000 CONNECTORS.
 - 6. THE DIMENSIONS IN PARENTHESES ARE FOR REFERENCE.
 - 7. REFER TO JIS C 0806 (PACKING OF COMPONENTS FOR AUTOMATIC HANDLING)
 - 8. AFTER PACKAGING, ROLL 2 METERS OF THE REINFORCEMENT COLLAR TO OUTER CIRCUMFERENCE OF TAPE AND REEL POCKET, AND TAPE DOWN AT THE END THE COLLAR.

PORTION EQUIPPED WITH CONNECTORS (FREE)



| | | |
|------------|-------------|----------------------|
| HRS | DRAWING NO. | EDC-388250-58-00 |
| | PART NO. | DF40TB-10DS-0.4V(58) |
| | CODE NO. | CL0684-4273-0-58 |
| | | 2/2 |