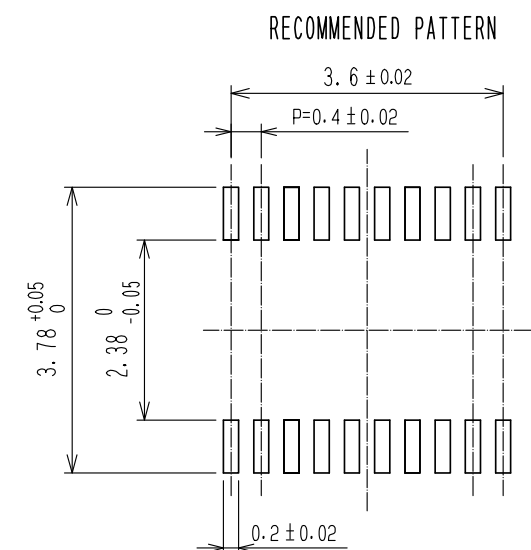
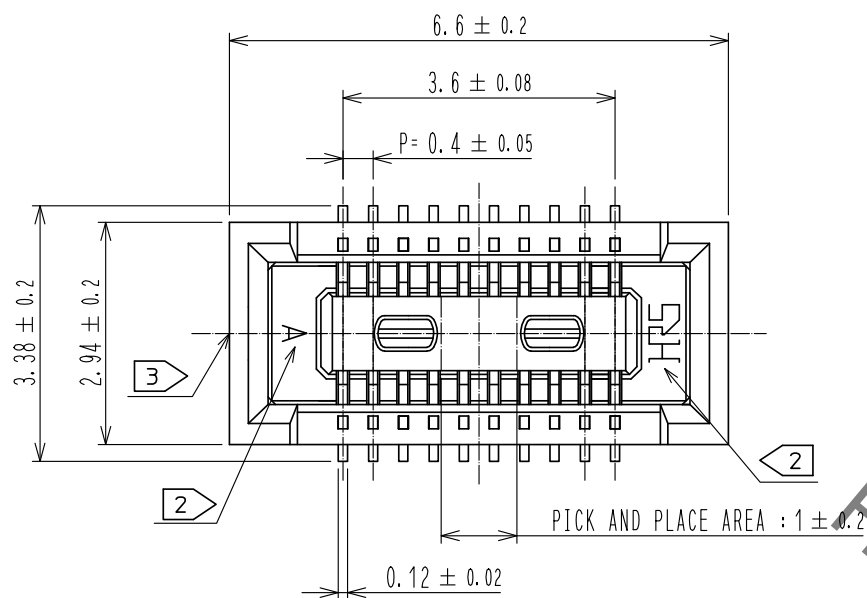
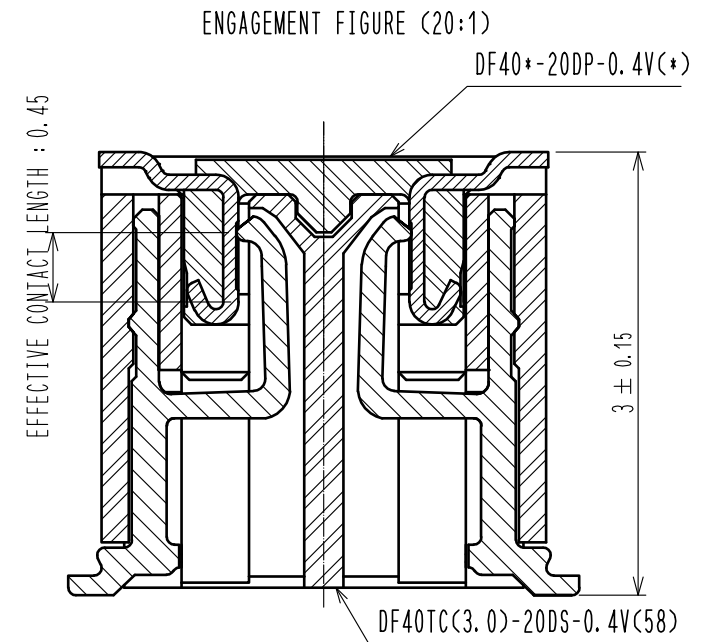
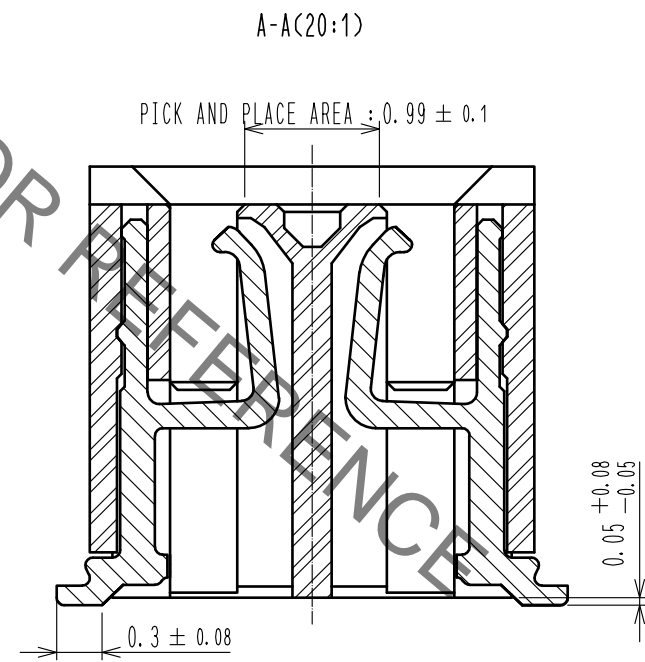
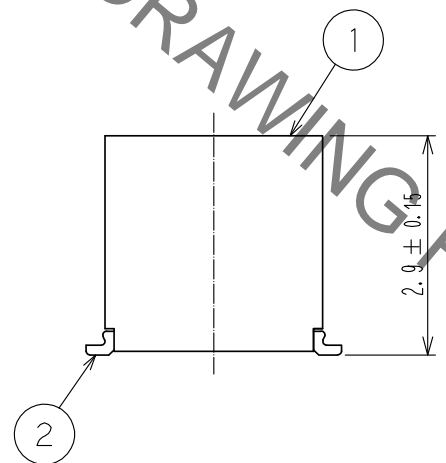
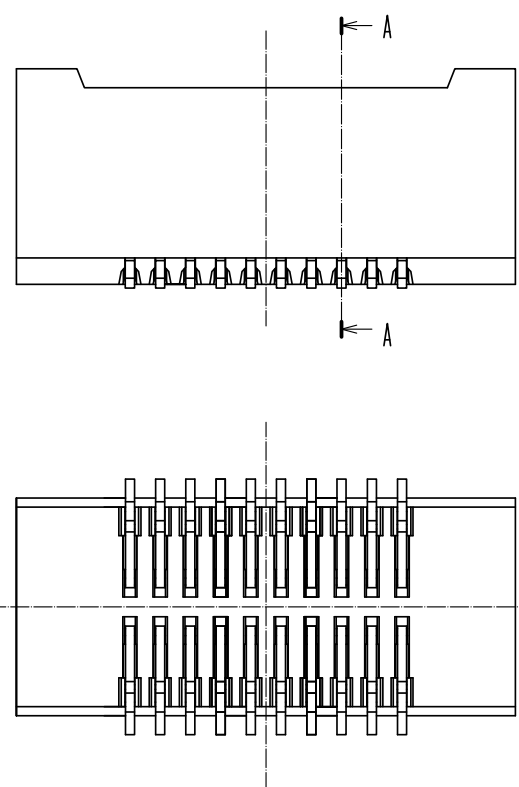


Jun.1.2023 Copyright 2023 HIROSE ELECTRIC CO., LTD. All Rights Reserved.
 In case of consideration for using Automotive equipment / device which demand high reliability, kindly contact our sales window correspondents.



RECOMMENDED METAL MASK THICKNESS: 120 μm
 RECOMMENDED MASK OPENING RATIO: 80% FOR LEAD PAD



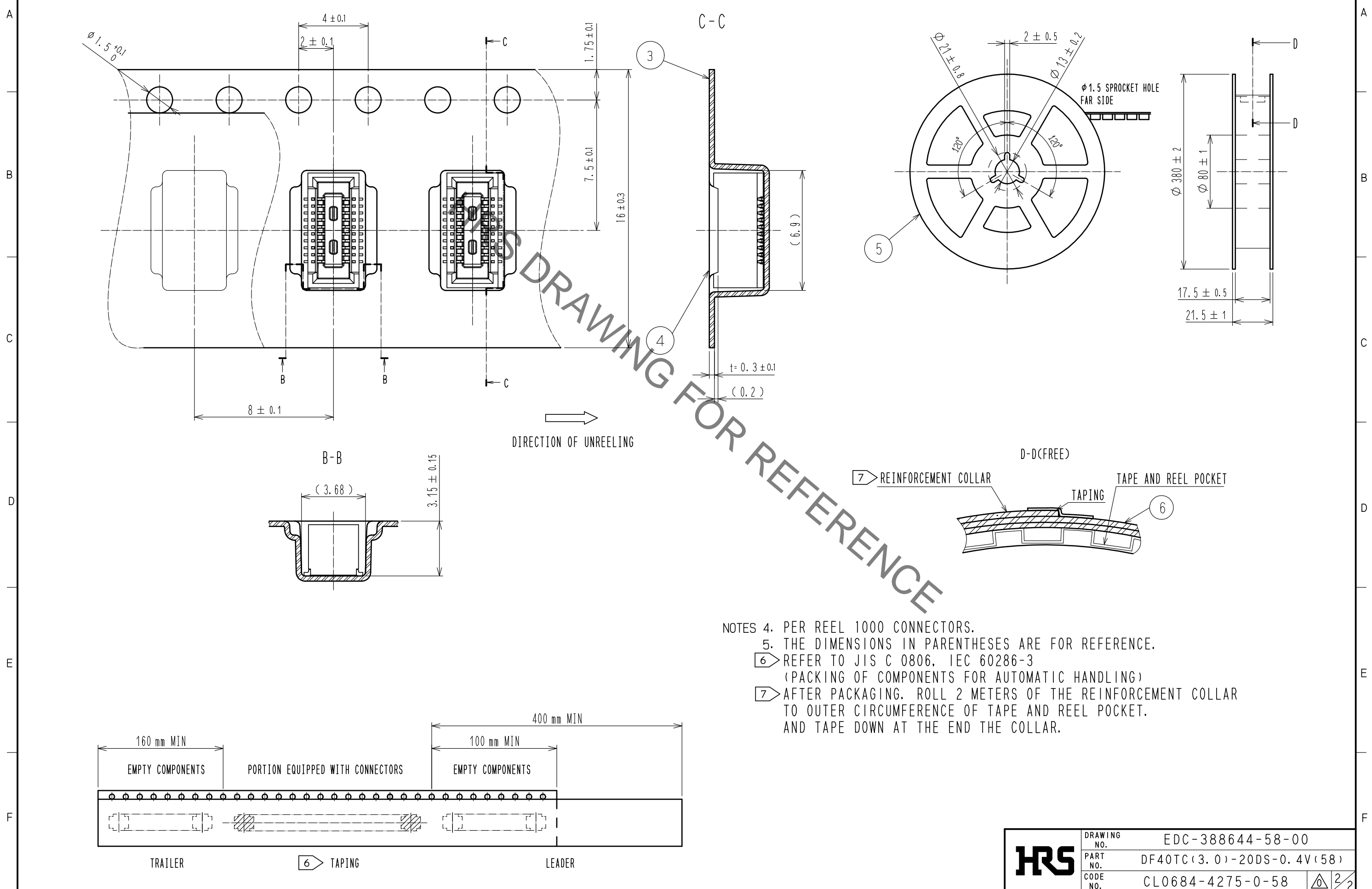
NOTES) 1. ALL LEADS METAL FITTINGS CO-PLANARITY SHALL BE 0.1mm MAX.
 2 HRS MARK AND CAV NO. ARE INDICATED IN APPROXIMAL POSITION SHOWN.
 3 GATE IS COATED IN APPROXIMAL AREA.

| | | | | | | | |
|--------------------------------------|--------------|---|----------|------------------------------------|------------------------------|---------|------|
| 2 | COPPER ALLOY | CONTACT AREA: GOLD 0.05 μm MIN SMT LEAD: GOLD 0.05 μm MIN UNDERPLATING: NICKEL 1 μm MIN | 6 | PS | CLEAR, REINFORCEMENT COLLAR | | |
| | | | 5 | PS | BLACK, PLASTIC REEL | | |
| | | | 4 | POLYESTER | CLEAR, COVER TAPE | | |
| 1 | LCP | BLACK, UL94V-0 | 3 | PS | CLEAR, EMBOSSED CARRIER TAPE | | |
| NO. | MATERIAL | FINISH, REMARKS | NO. | MATERIAL | FINISH, REMARKS | | |
| UNITS mm | | SCALE 10 : 1 | COUNT | DESCRIPTION OF REVISIONS | DESIGNED | CHECKED | DATE |
| HRS HIROSE ELECTRIC CO., LTD. | | APPROVED : WR. FUKUCHI | 20210402 | DRAWING NO. EDC-388644-58-00 | | | |
| | | CHECED : TS. MIYAZAKI | 20210402 | PART NO. DF40TC(3.0)-20DS-0.4V(58) | | | |
| | | DESIGNED : YK. SATAKE | 20210402 | CODE NO. CL0684-4275-0-58 | | | |
| | | DRAWN : YK. SATAKE | 20210402 | | | | |

Jun.1.2023 Copyright 2023 HIROSE ELECTRIC CO., LTD. All Rights Reserved.
In case of consideration for using Automotive equipment / device which demand high reliability, kindly contact our sales window correspondents.

EMBOSSED CARRIER TAPE PACKAGING (5:1)

STYLE AND DIMENSION OF REEL(FREE)



THIS DRAWING FOR REFERENCE

- NOTES
4. PER REEL 1000 CONNECTORS.
 5. THE DIMENSIONS IN PARENTHESES ARE FOR REFERENCE.
 6. REFER TO JIS C 0806, IEC 60286-3 (PACKING OF COMPONENTS FOR AUTOMATIC HANDLING)
 7. AFTER PACKAGING, ROLL 2 METERS OF THE REINFORCEMENT COLLAR TO OUTER CIRCUMFERENCE OF TAPE AND REEL POCKET. AND TAPE DOWN AT THE END THE COLLAR.

| | | |
|------------|-------------|---------------------------|
| HRS | DRAWING NO. | EDC-388644-58-00 |
| | PART NO. | DF40TC(3.0)-20DS-0.4V(58) |
| | CODE NO. | CL0684-4275-0-58 |
| | | 2/2 |