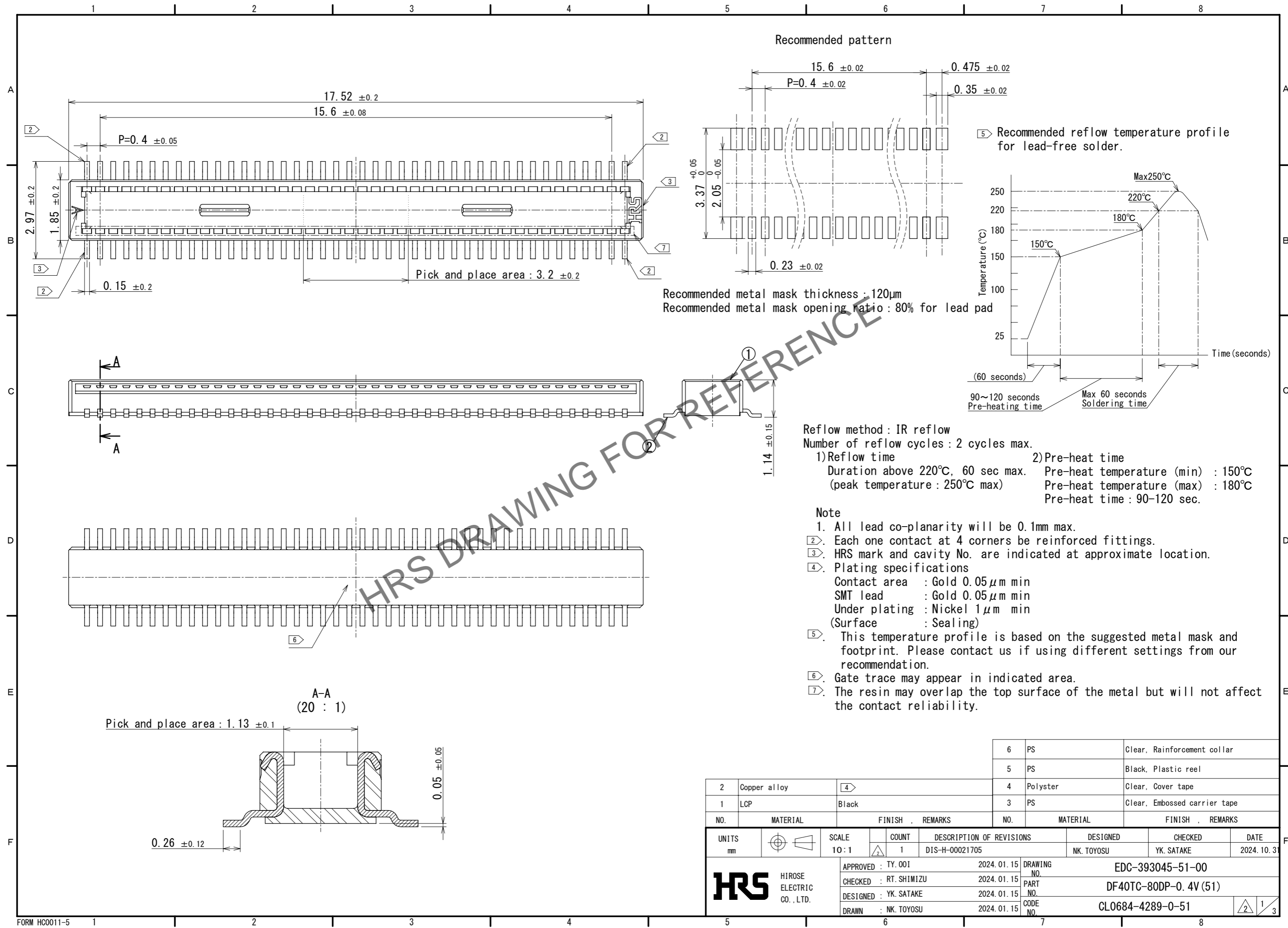


Apr.1.2025 Copyright 2025 HIROSE ELECTRIC CO., LTD. All Rights Reserved.
 In case of consideration for using Automotive equipment / device which demand high reliability, kindly contact our sales window correspondents.

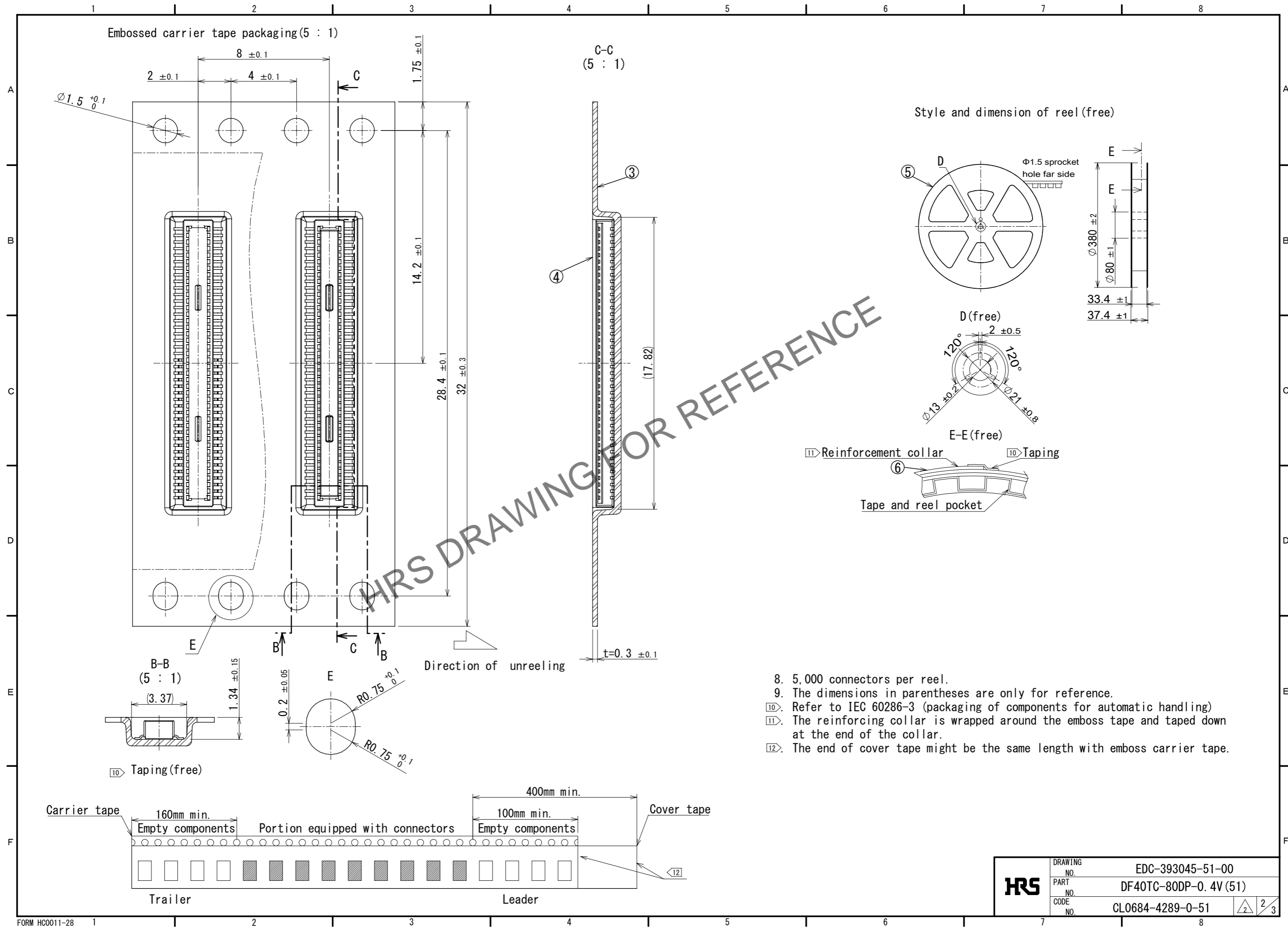


2	Copper alloy		4	Polyster	Clear, Cover tape
1	LCP	Black	3	PS	Clear, Embossed carrier tape
6	PS		6	PS	Clear, Reinforcement collar
5	PS		5	PS	Black, Plastic reel

NO.	MATERIAL	FINISH	REMARKS	NO.	MATERIAL	FINISH	REMARKS
2	Copper alloy		4	Polyster	Clear, Cover tape		
1	LCP	Black		3	PS	Clear, Embossed carrier tape	

UNITS	mm	SCALE	COUNT	DESCRIPTION OF REVISIONS		DESIGNED	CHECKED	DATE
mm				10:1	1	DIS-H-00021705	NK. TOYOSU	YK. SATAKE
APPROVED : TY. OOI		2024. 01. 15		DRAWING NO.		EDC-393045-51-00		
CHECKED : RT. SHIMIZU		2024. 01. 15		PART NO.		DF40TC-80DP-0.4V (51)		
DESIGNED : YK. SATAKE		2024. 01. 15		CODE NO.		CL0684-4289-0-51		
DRAWN : NK. TOYOSU		2024. 01. 15						

Apr.1.2025 Copyright 2025 HIROSE ELECTRIC CO., LTD. All Rights Reserved.
 In case of consideration for using Automotive equipment / device which demand high reliability, kindly contact our sales window correspondents.



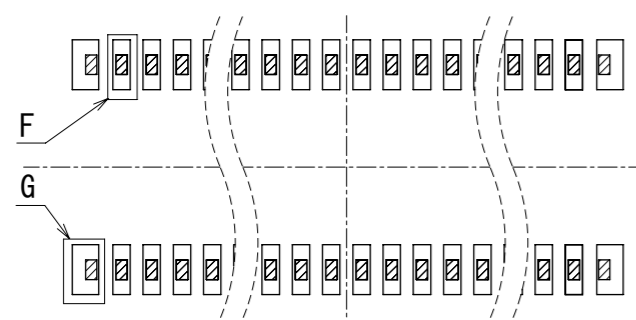
- 8. 5,000 connectors per reel.
- 9. The dimensions in parentheses are only for reference.
- 10. Refer to IEC 60286-3 (packaging of components for automatic handling)
- 11. The reinforcing collar is wrapped around the emboss tape and taped down at the end of the collar.
- 12. The end of cover tape might be the same length with emboss carrier tape.

HRS	DRAWING NO.	EDC-393045-51-00	2/3
	PART NO.	DF40TC-80DP-0.4V (51)	
	CODE NO.	CL0684-4289-0-51	
	NO.		

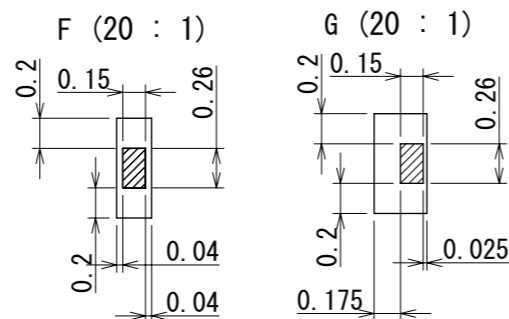
Apr.1.2025 Copyright 2025 HIROSE ELECTRIC CO., LTD. All Rights Reserved.
In case of consideration for using Automotive equipment / device which demand high reliability, kindly contact our sales window correspondents.

13. Please refer to the product guideline ETAD-H1015 for detail of connector handling.

The position between the connector and PAD



Connector lead on PAD layout
 PAD layout

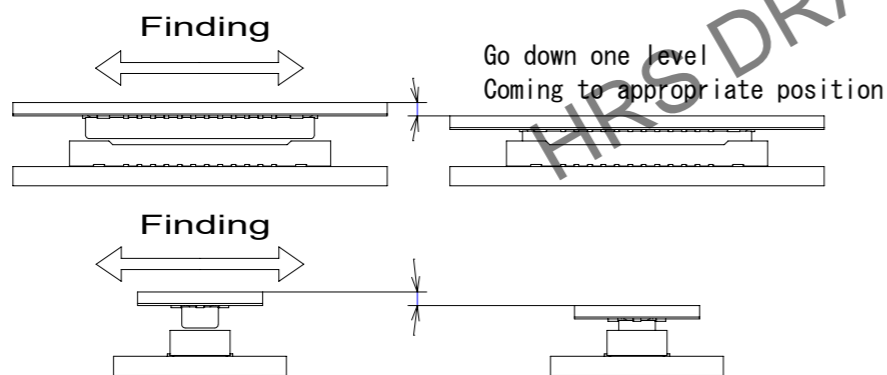


Mating method

Please mate the connector by hand.

Mating procedure

- Find the alignment area to the connector in the appropriate mating position. This connector has an alignment chamber (guidance ribs) on receptacle side and "r" on plug side, so that the connector will be self-aligned. When the connector comes to the appropriate position, the connector goes into the aligned position. When aligned, it can be felt by hand.



- When guiding, the connectors are aligned parallel to each other, with longitudinal and lateral movements restricted. Mate them properly by applying force in this condition.

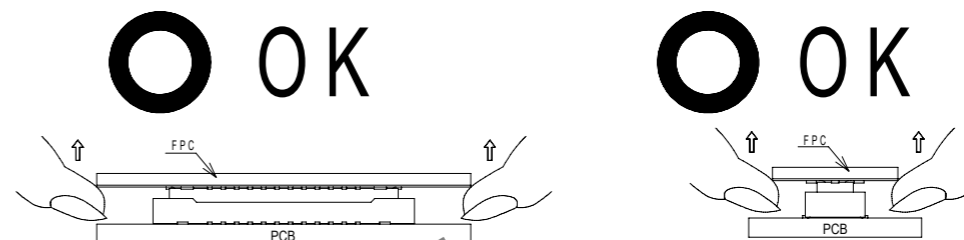


- Make sure the connectors are mated correctly. If one side is floating or the connectors are mated in one direction, un-mate them once, and then mate them again, following the procedures above from the beginning.

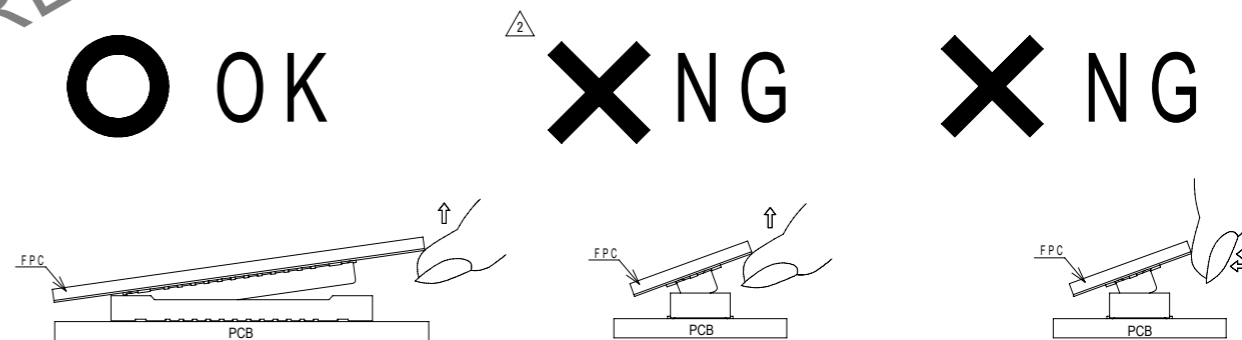
Un-mating method

Please un-mate the connector by hand

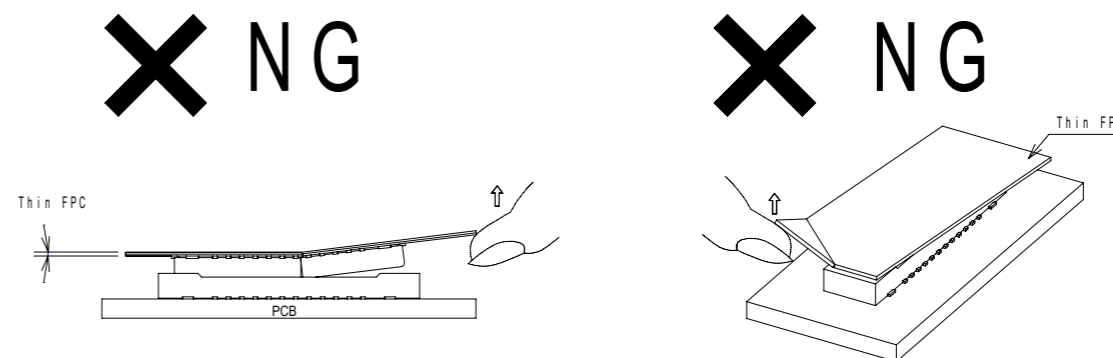
- Un-mate the connectors parallel to each other. However, if the connectors have high pin counts or thinner fpc and stiffener, it becomes more difficult to do so.



- If the connector cannot be un-mated parallel it can be removed diagonally from the pitch direction. Be careful to do so since this action applies stress on the contact.



- If the fpc is not rigid, the connector can be broken. Please check the action of the fpc to be used repeatedly at the time of trial production. Be careful to un-mate them from the pitch direction, pulling it from the corner can also risk to putting stress on contacts.



HRS	DRAWING NO.	EDC-393045-51-00	3/3
	PART NO.	DF40TC-80DP-0.4V(51)	
	CODE NO.	CL0684-4289-0-51	