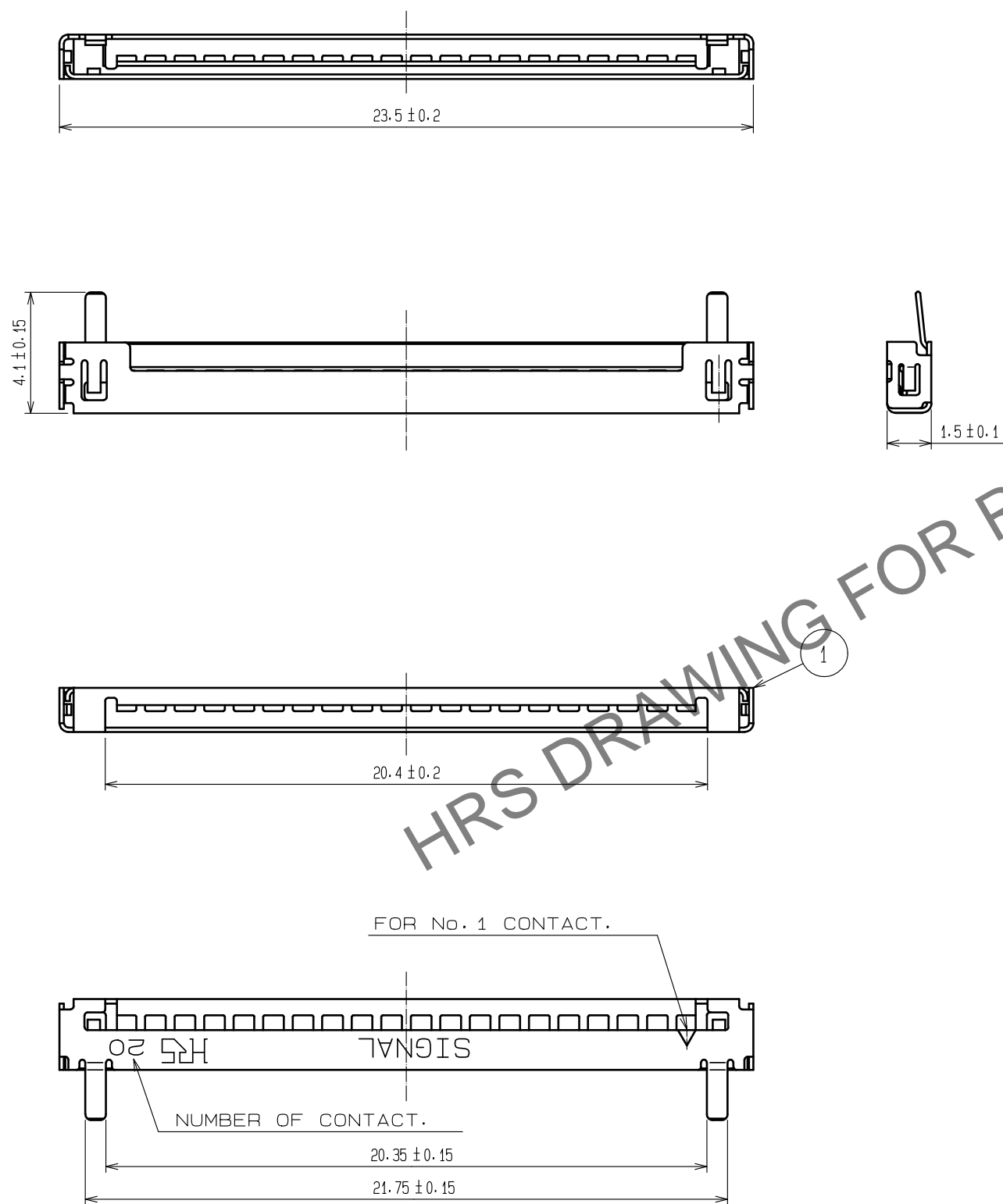


Apr.1.2025 Copyright 2025 HIROSE ELECTRIC CO., LTD. All Rights Reserved.
 In case of consideration for using Automotive equipment / device which demand high reliability, kindly contact our sales window correspondents.



HRS DRAWING FOR REFERENCE

NOTE 1: TRAY PACKAGING. (100 PCS)

NO.	MATERIAL	FINISH . REMARKS	NO.	MATERIAL	FINISH . REMARKS
1	STAINLESS STEEL				SURFACE: TIN PLATED 1μm min UNDER PLATED: NICKEL PLATED 1μm min

UNITS	SCALE	COUNT	DESCRIPTION OF REVISIONS	DESIGNED	CHECKED	DATE
mm	5 : 1	△				
HIROSE ELECTRIC CO., LTD.			APPROVED : HS. OKAWA 20200313	DRAWING NO. EDC-162455-06-00		
			CHECKED : TS. KUMAZAWA 20200313	PART NO. DF19G-20S-1F-GND<06>		
			DESIGNED : HK. HAYASHI 20200313	CODE NO. CL685-0010-3-06		
			DRAWN : DS. HIROWATARI 20200306	1/1		