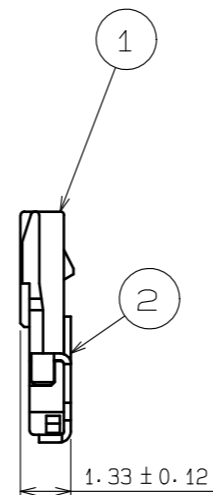
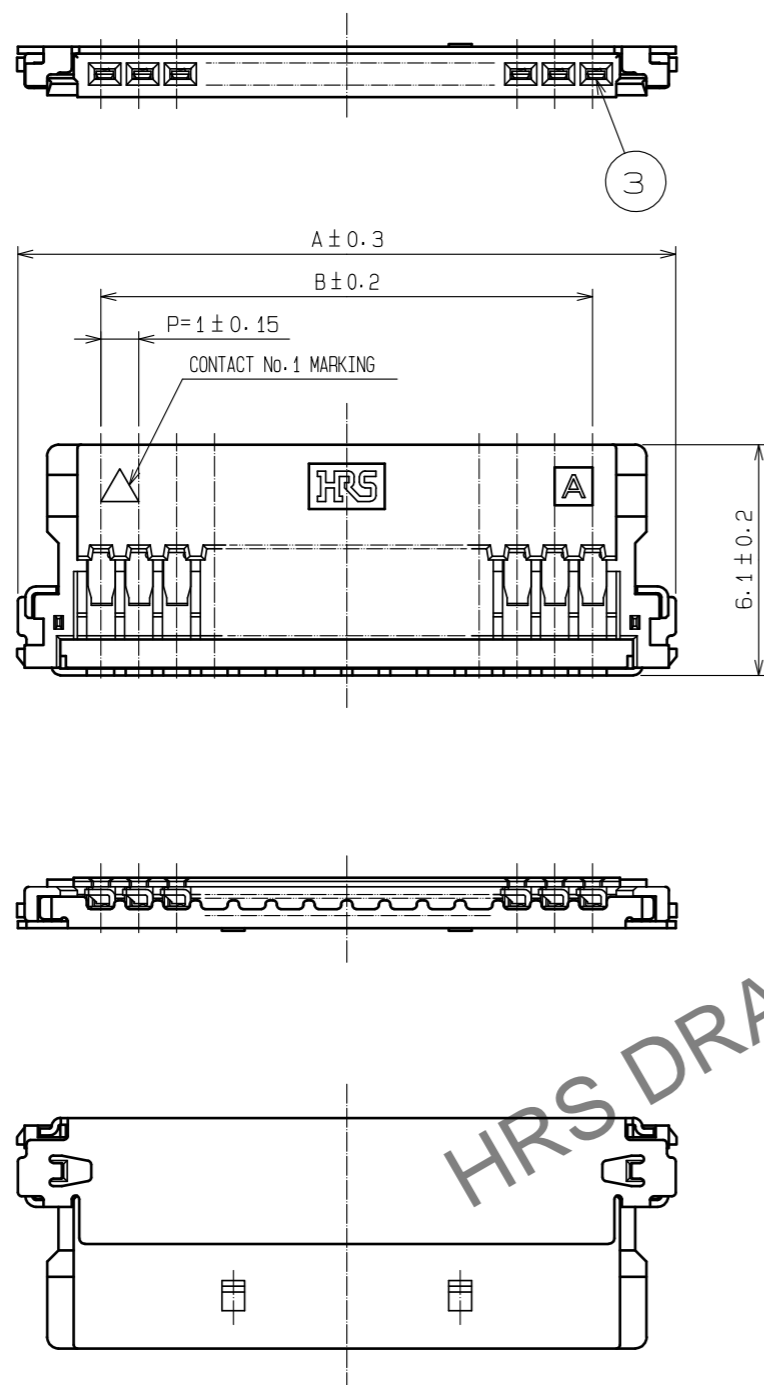
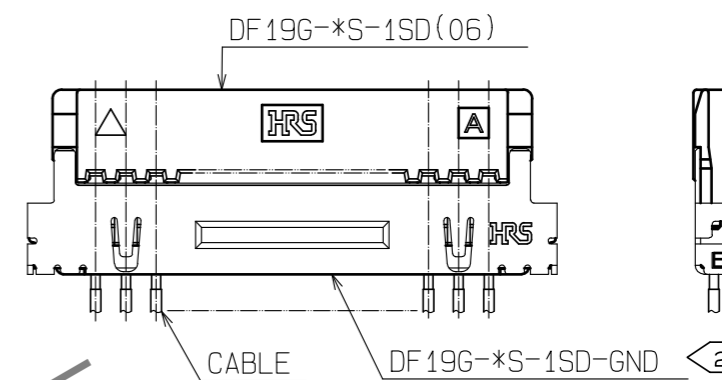


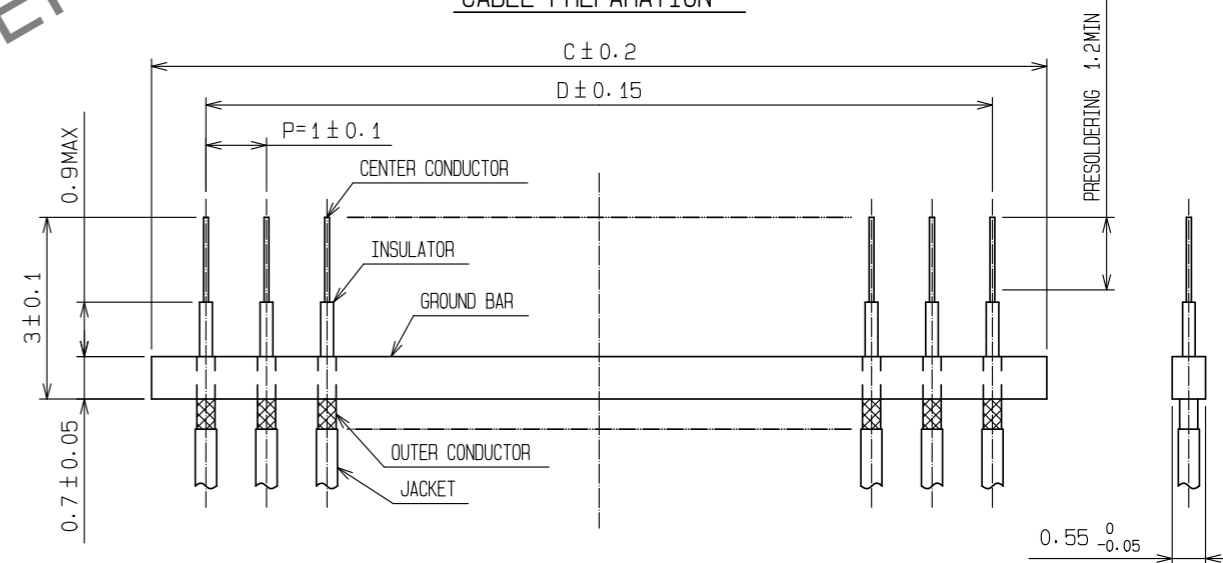
Mar.1.2026 Copyright 2026 HIROSE ELECTRIC CO., LTD. All Rights Reserved.
In case of consideration for using Automotive equipment / device which demand high reliability, kindly contact our sales window correspondents.



CABLE ASSEMBLED DIAGRAM



CABLE PREPARATION



PART No.	CODE No.	A	B	C	D
DF19G-14S-1SD(06)	CL685-0026-3-06	17.4	13	14.8	13
DF19G-20S-1SD(06)	CL685-0025-0-06	23.4	19	20.8	19

NOTES 1 :MINIMUM ORDERING QUANTITY IS ONE PACKAGE.
(CONTAINING 100 PCS.)
② 「DF19G-*S-1SD」AND 「DF19G-*S-1SD-GND」, FOR THIS PRODUCT TO BE SUPPLIED SEPARATELY.
(DF19G-14S-1SD-GND/CL685-0028-9)
(DF19G-20S-1SD-GND/CL685-0027-6)

NO.	MATERIAL	FINISH . REMARKS	NO.	MATERIAL	FINISH . REMARKS
2	PHOSPHOR BRONZE	TIN PLATED 2μm min	3	PHOSPHOR BRONZE	CONTACT AREA:GOLD PLATED 0.1μm min LEAD AREA:TIN PLATED 1μm min UNDER PLATING:NICKEL PLATED 1μm min
1	LCP	BEIGE, UL94V-0			

UNITS	SCALE	COUNT	DESCRIPTION OF REVISIONS	DESIGNED	CHECKED	DATE
mm	5 : 1	△				

APPROVED : HS. OKAWA	20200313	DRAWING NO.	EDC-306221-06-00
CHECKED : TS. KUMAZAWA	20200313	PART NO.	DF19G-*S-1SD(06)
DESIGNED : HK. HAYASHI	20200313	CODE NO.	CL685-
DRAWN : DS. HIROWATARI	20200306		