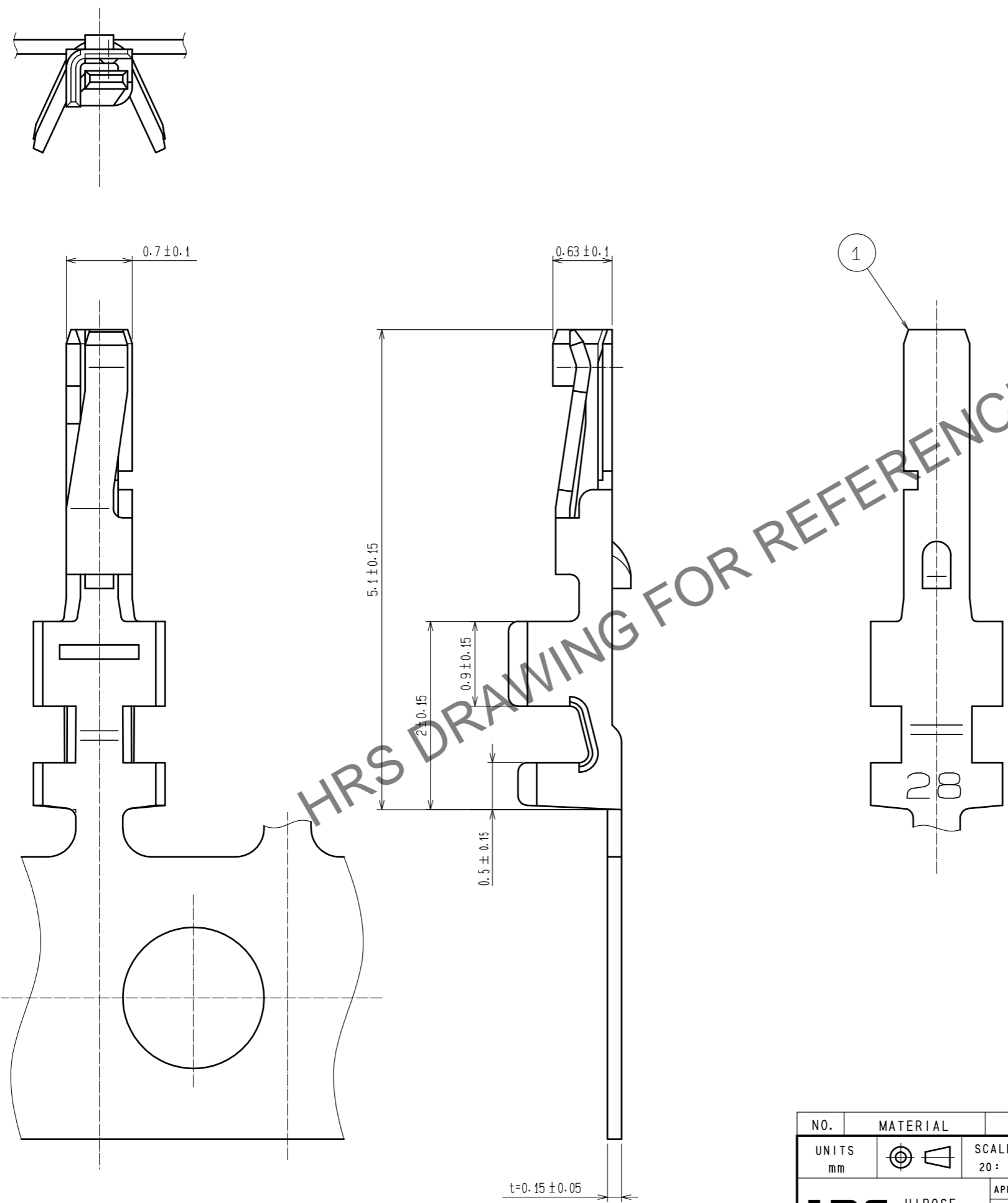


May.1.2024 Copyright 2024 HIROSE ELECTRIC CO., LTD. All Rights Reserved.
 In case of consideration for using Automotive equipment / device which demand high reliability, kindly contact our sales window correspondents.



Note 1. Per Reel : 20000 Contacts.

| | | | | | | | | | | | | | | | |
|-------------|--|---------------------------------|--|----------------------|--|-----------|--|--------------------------|--|--------------------|--|---------|--|------|--|
| NO. | | MATERIAL | | FINISH . REMARKS | | NO. | | MATERIAL | | FINISH . REMARKS | | | | | |
| UNITS mm | | | | SCALE 20 : 1 | | COUNT | | DESCRIPTION OF REVISIONS | | DESIGNED | | CHECKED | | DATE | |
| HRS | | HIROSE ELECTRIC CO., LTD. | | APPROVED : HS. OKAWA | | 20181214 | | DRAWING NO. | | EDC-302549-41-00 | | | | | |
| | | | | CHECKED : SZ. ONO | | 20181214 | | PART NO. | | DF19A-2830SCFA(41) | | | | | |
| | | | | DESIGNED : SN. MIWA | | 20181214 | | CODE NO. | | CL685-0048-6-41 | | | | | |
| | | | | DRAWN : SN. MIWA | | 20181214 | | | | | | | | 1/1 | |