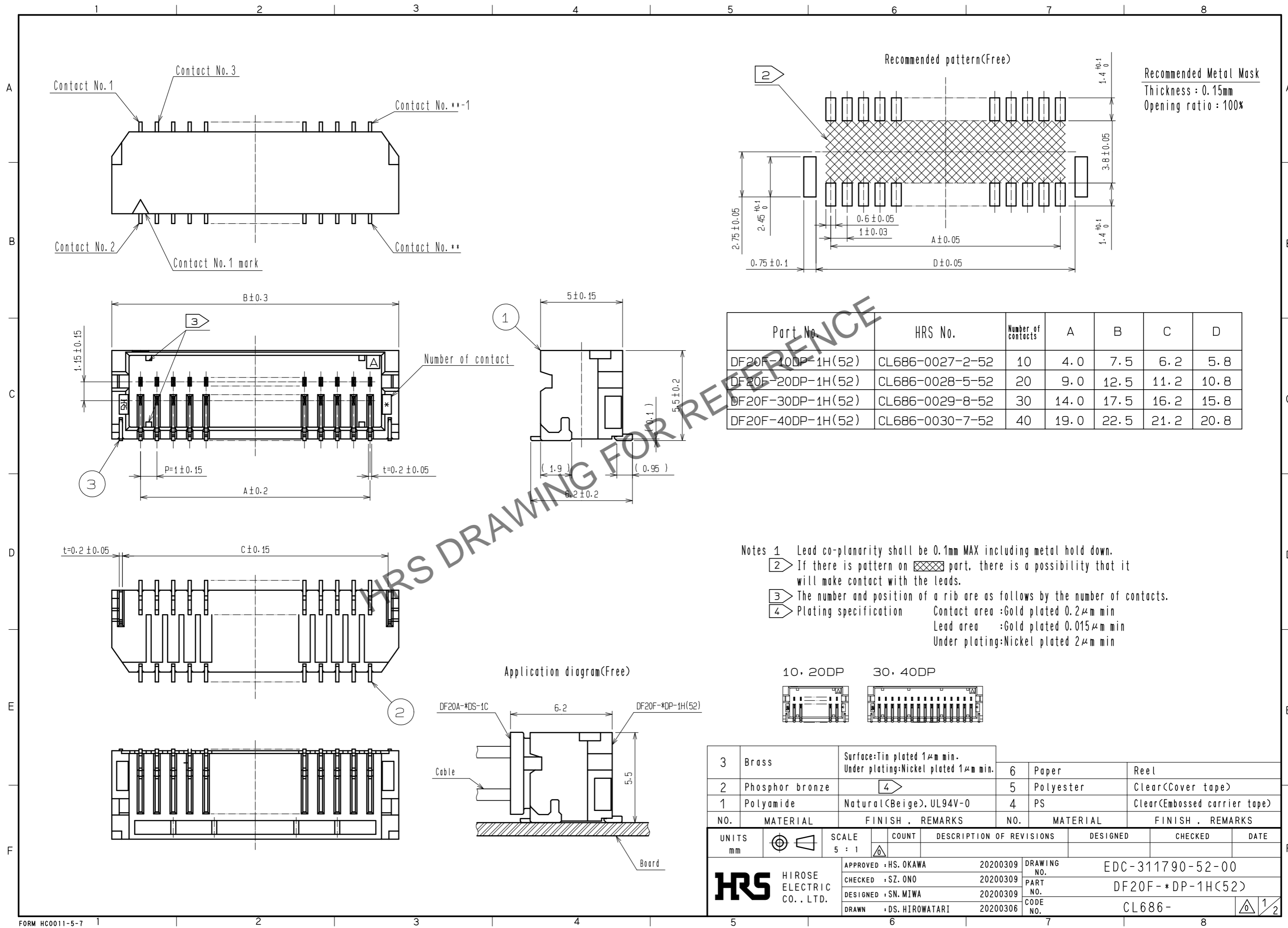


May.1.2024 Copyright 2024 HIROSE ELECTRIC CO., LTD. All Rights Reserved.  
In case of consideration for using Automotive equipment / device which demand high reliability, kindly contact our sales window correspondents.



Part No.	HRS No.	Number of contacts	A	B	C	D
DF20F-10DP-1H(52)	CL686-0027-2-52	10	4.0	7.5	6.2	5.8
DF20F-20DP-1H(52)	CL686-0028-5-52	20	9.0	12.5	11.2	10.8
DF20F-30DP-1H(52)	CL686-0029-8-52	30	14.0	17.5	16.2	15.8
DF20F-40DP-1H(52)	CL686-0030-7-52	40	19.0	22.5	21.2	20.8

- Notes
- Lead co-planarity shall be 0.1mm MAX including metal hold down.
  - If there is pattern on part, there is a possibility that it will make contact with the leads.
  - The number and position of a rib are as follows by the number of contacts.
  - Plating specification  
 Contact area : Gold plated 0.2μm min  
 Lead area : Gold plated 0.015μm min  
 Under plating: Nickel plated 2μm min

NO.	MATERIAL	FINISH	REMARKS	NO.	MATERIAL	FINISH	REMARKS
3	Brass		Surface: Tin plated 1μm min. Under plating: Nickel plated 1μm min.	6	Paper		Reel
2	Phosphor bronze			5	Polyester		Clear(Cover tape)
1	Polyamide		Natural(Beige), UL94V-0	4	PS		Clear(Embossed carrier tape)

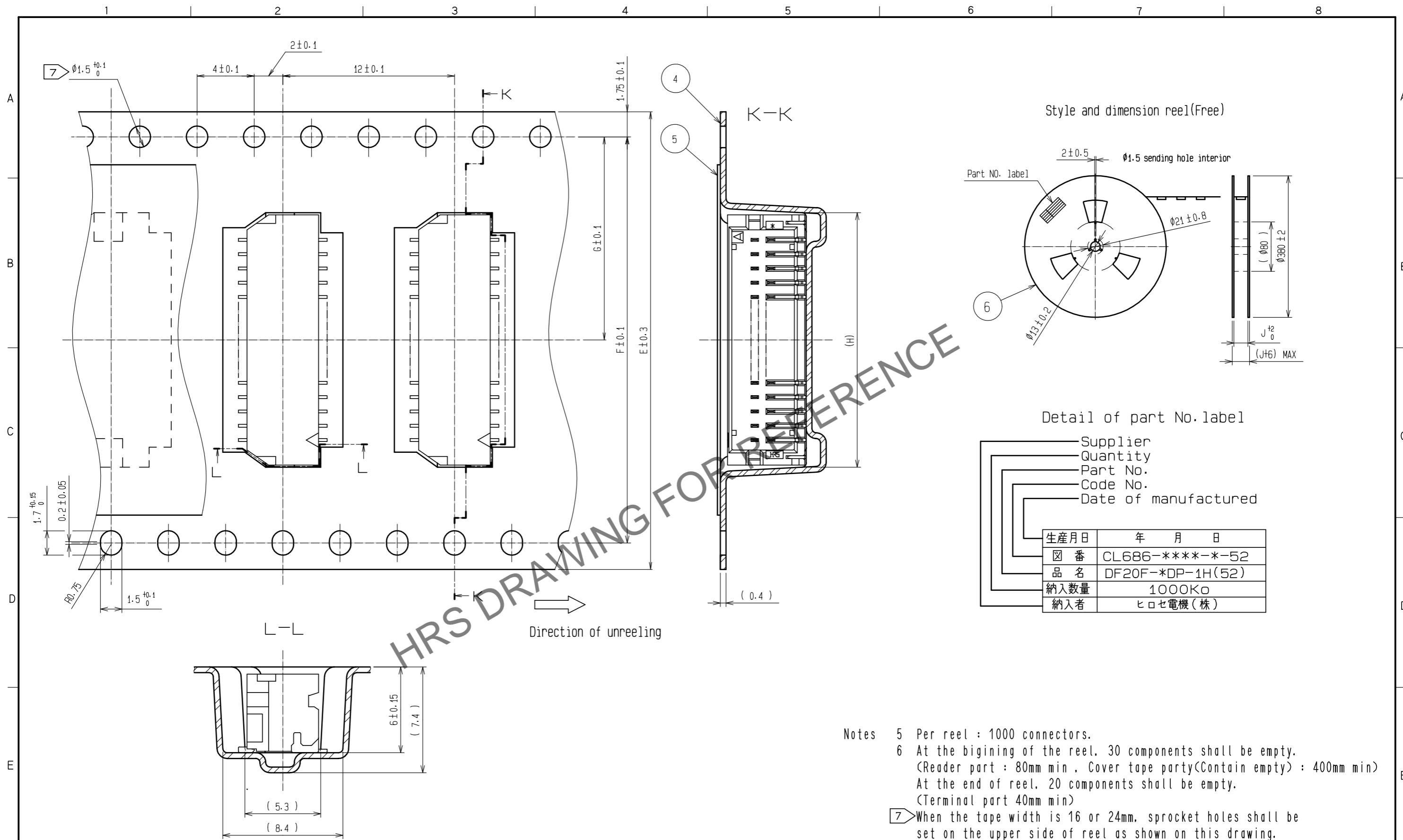
  

UNITS	SCALE	COUNT	DESCRIPTION OF REVISIONS	DESIGNED	CHECKED	DATE
mm	5 : 1	△				

<b>HRS</b> HIROSE ELECTRIC CO., LTD.	APPROVED : HS. OKAWA	20200309	DRAWING NO.	EDC-311790-52-00
	CHECKED : SZ. ONO	20200309	PART NO.	DF20F-*DP-1H(52)
	DESIGNED : SN. MIWA	20200309	CODE NO.	CL686-
	DRAWN : DS. HIROWATARI	20200306		

May.1.2024 Copyright 2024 HIROSE ELECTRIC CO., LTD. All Rights Reserved.  
In case of consideration for using Automotive equipment / device which demand high reliability, kindly contact our sales window correspondents.



HRS DRAWING FOR REFERENCE

- Notes
- 5 Per reel : 1000 connectors.
  - 6 At the beginning of the reel, 30 components shall be empty.  
(Reader part : 80mm min. Cover tape party(Contain empty) : 400mm min)  
At the end of reel, 20 components shall be empty.  
(Terminal part 40mm min)
  - 7 When the tape width is 16 or 24mm, sprocket holes shall be set on the upper side of reel as shown on this drawing.

Part No.	HRS No.	Number of contacts	E	F	G	H	J
DF20F-10DP-1H(52)	CL686-0027-2-52	10	16	-	7.5	7.8	16.4
DF20F-20DP-1H(52)	CL686-0028-5-52	20	24	-	11.5	12.8	24.4
DF20F-30DP-1H(52)	CL686-0029-8-52	30	32	28.4	14.2	17.8	32.4
DF20F-40DP-1H(52)	CL686-0030-7-52	40	44	40.4	20.2	22.8	44.4

HRS	DRAWING NO.	EDC-311790-52-00
	PART NO.	DF20F-*DP-1H(52)
	CODE NO.	CL686-
		2/2