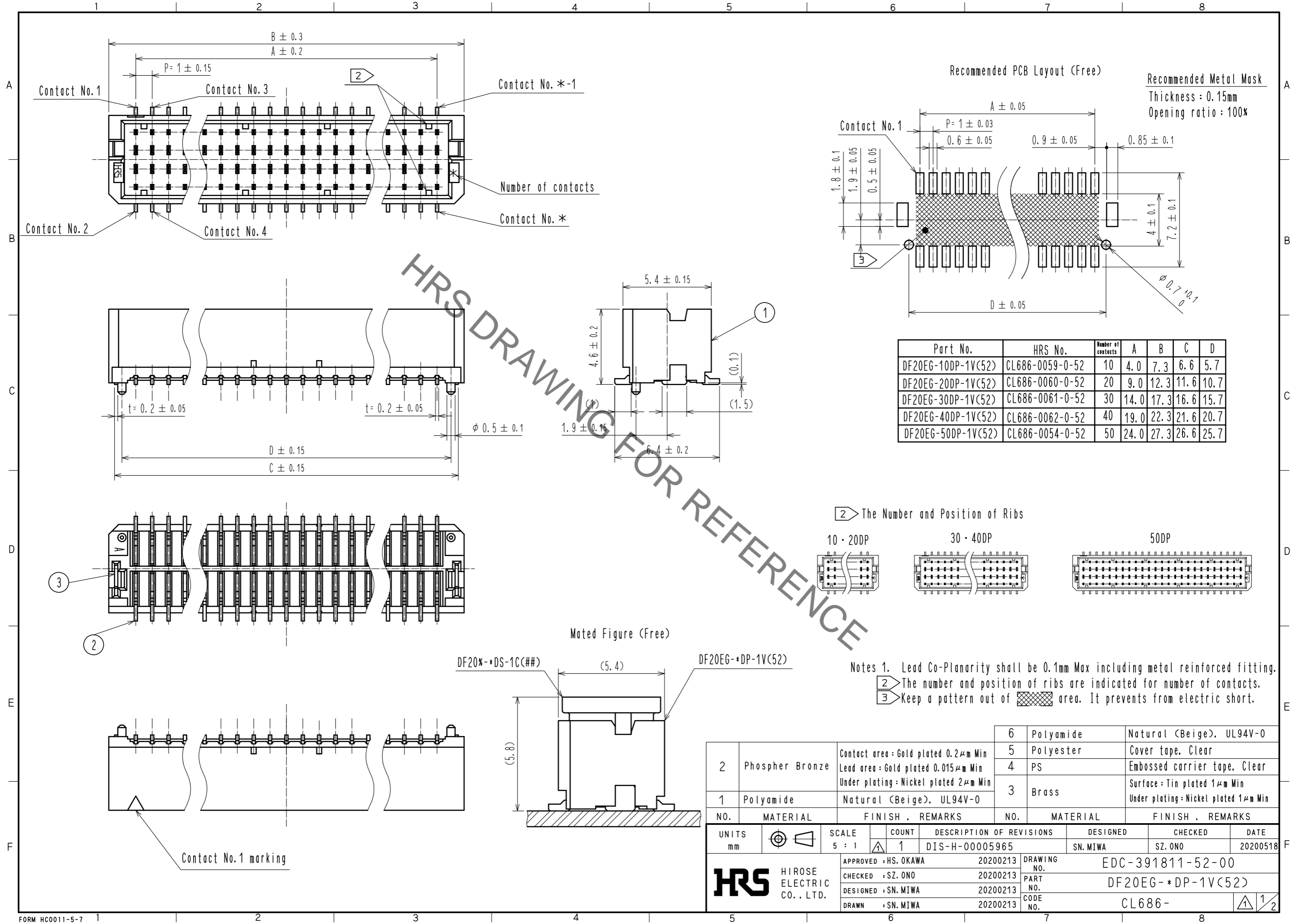


Apr.1.2022 Copyright 2022 HIROSE ELECTRIC CO., LTD. All Rights Reserved.
In case of consideration for using Automotive equipment / device which demand high reliability, kindly contact our sales window correspondents.



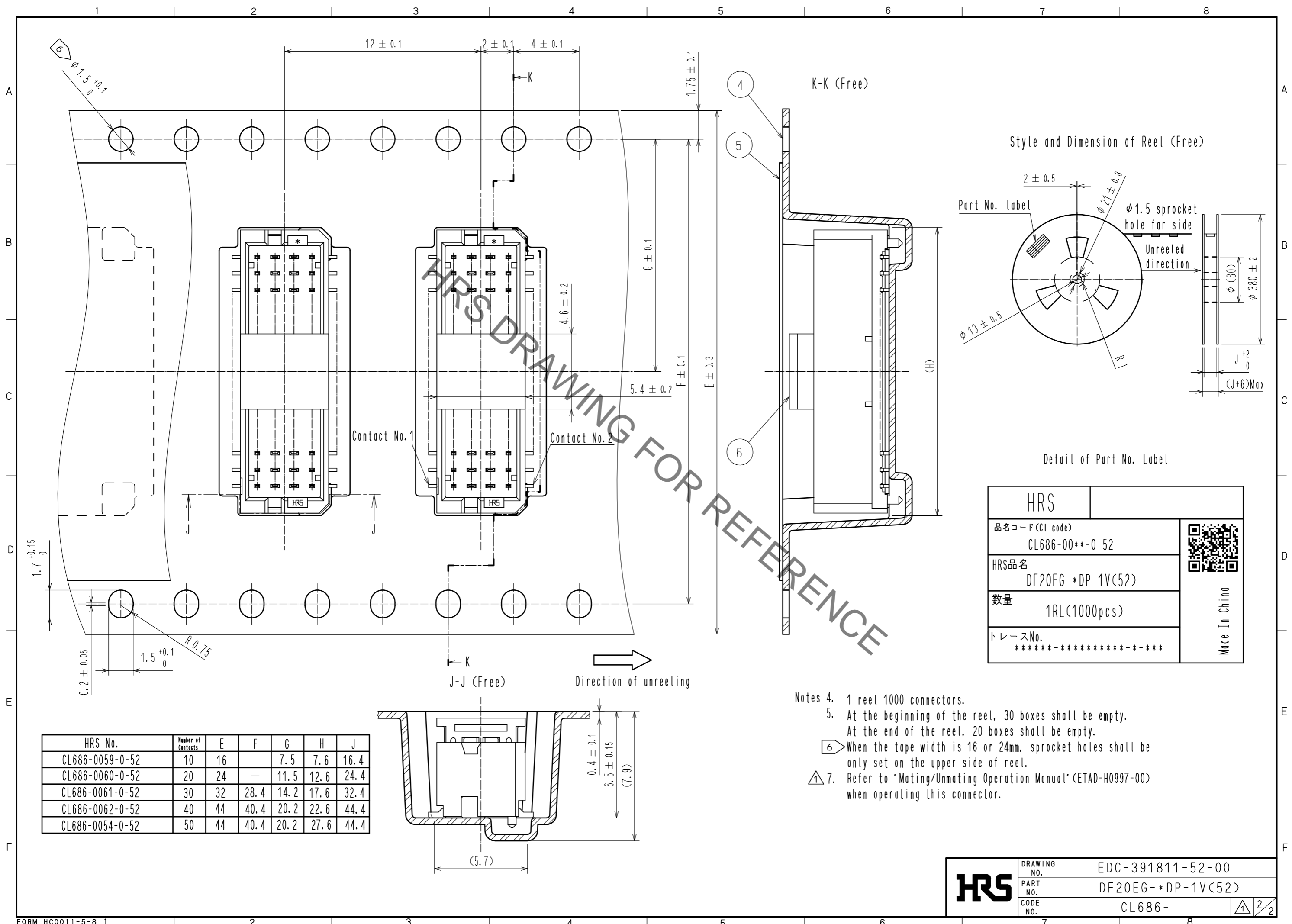
Part No.	HRS No.	Number of contacts	A	B	C	D
DF20EG-10DP-1V(52)	CL686-0059-0-52	10	4.0	7.3	6.6	5.7
DF20EG-20DP-1V(52)	CL686-0060-0-52	20	9.0	12.3	11.6	10.7
DF20EG-30DP-1V(52)	CL686-0061-0-52	30	14.0	17.3	16.6	15.7
DF20EG-40DP-1V(52)	CL686-0062-0-52	40	19.0	22.3	21.6	20.7
DF20EG-50DP-1V(52)	CL686-0054-0-52	50	24.0	27.3	26.6	25.7

NO.	MATERIAL	FINISH . REMARKS	NO.	MATERIAL	FINISH . REMARKS
2	Phosphor Bronze	Contact area : Gold plated 0.2μm Min Lead area : Gold plated 0.015μm Min Under plating : Nickel plated 2μm Min	6	Polyamide	Natural (Beige), UL94V-0
1	Polyamide	Natural (Beige), UL94V-0	5	Polyester	Cover tape, Clear
			4	PS	Embossed carrier tape, Clear
			3	Brass	Surface : Tin plated 1μm Min Under plating : Nickel plated 1μm Min

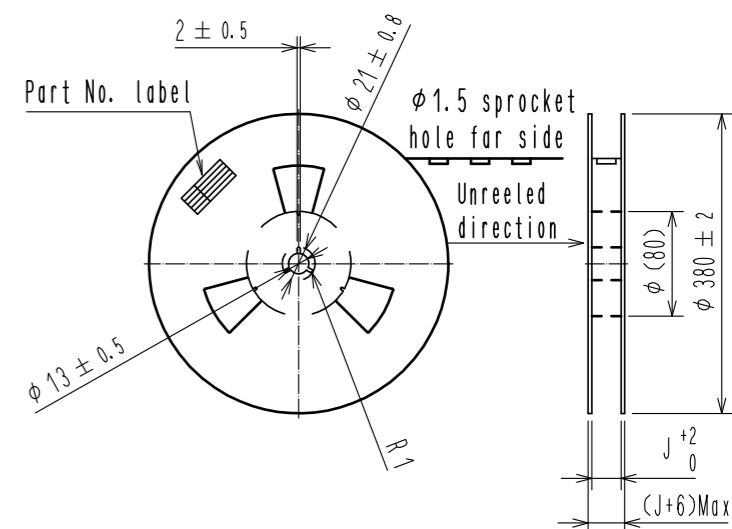
UNITS	SCALE	COUNT	DESCRIPTION OF REVISIONS	DESIGNED	CHECKED	DATE
mm	5 : 1	1	DIS-H-00005965	SN.MIWA	SZ.ONO	20200518

APPROVED : HS. OKAWA	20200213	DRAWING NO.	EDC-391811-52-00
CHECKED : SZ. ONO	20200213	PART NO.	DF20EG-*DP-1V(52)
DESIGNED : SN. MIWA	20200213	CODE NO.	CL686-
DRAWN : SN. MIWA	20200213		


Apr.1.2022 Copyright 2022 HIROSE ELECTRIC CO., LTD. All Rights Reserved.
 In case of consideration for using Automotive equipment / device which demand high reliability, kindly contact our sales window correspondents.



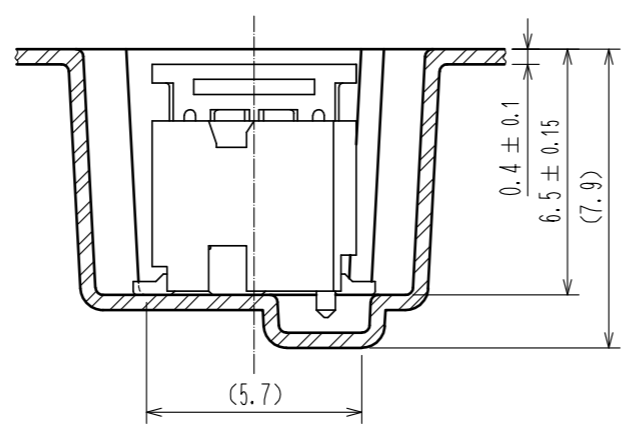
Style and Dimension of Reel (Free)



Detail of Part No. Label

HRS		 <p style="writing-mode: vertical-rl; transform: rotate(180deg);">Made In China</p>
品名コード (CI code)	CL686-00**-0 52	
HRS品名	DF20EG-*DP-1V(52)	
数量	1RL(1000pcs)	
トレースNo.	*****-*****-*-***	

HRS No.	Number of Contacts	E	F	G	H	J
CL686-0059-0-52	10	16	—	7.5	7.6	16.4
CL686-0060-0-52	20	24	—	11.5	12.6	24.4
CL686-0061-0-52	30	32	28.4	14.2	17.6	32.4
CL686-0062-0-52	40	44	40.4	20.2	22.6	44.4
CL686-0054-0-52	50	44	40.4	20.2	27.6	44.4



- Notes
- 1 reel 1000 connectors.
 - At the beginning of the reel, 30 boxes shall be empty.
At the end of the reel, 20 boxes shall be empty.
 - When the tape width is 16 or 24mm, sprocket holes shall be only set on the upper side of reel.
 - Refer to 'Mating/Unmating Operation Manual' (ETAD-H0997-00) when operating this connector.

HRS	DRAWING NO.	EDC-391811-52-00
	PART NO.	DF20EG-*DP-1V(52)
	CODE NO.	CL686-