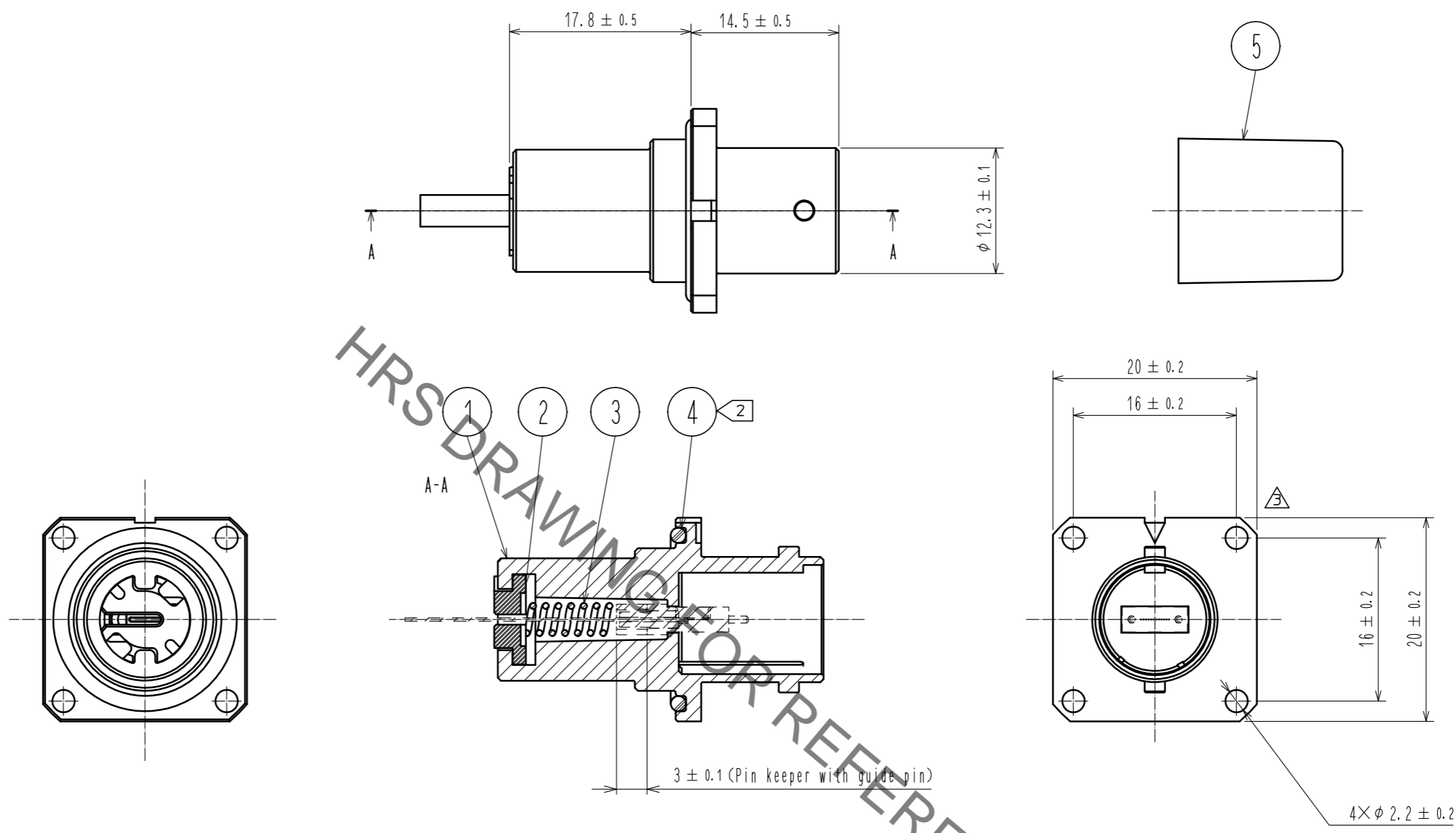


Jan.1.2022 Copyright 2022 HIROSE ELECTRIC CO., LTD. All Rights Reserved.  
In case of consideration for using Automotive equipment / device which demand high reliability, kindly contact our sales window correspondents.



HRS DRAWING FOR REFERENCE

- Note
1. FO cable and MT ferrule are NOT included i this product.
  2. IF part 4 comes off during transportation, please put again and use it.
  3. Use specifide tool to assemble this product.

| 3                                    | Stainless steel        | For 12-ribbon fiber : Springforce 1kgf(Black) <span style="float: right;">△3</span> | 5           | Elastomer                | Black            |
|--------------------------------------|------------------------|---|-------------|--------------------------|------------------|
| 2                                    | Zinc alloy die casting | Ni plating  | 4           | Silicone rubber          | Red              |
| 1                                    | Zinc alloy die casting | Ni plating  |             |                          |                  |
| NO.                                  | MATERIAL               | FINISH . REMARKS  | NO.         | MATERIAL                 | FINISH . REMARKS |
| UNITS                                |                        | SCALE   | COUNT       | DESCRIPTION OF REVISIONS |                  |
| mm                                   |                        | 2 : 1   | 2           | DIS-K-00001361           |                  |
| APPROVED : MT. SHIBUTANI             |                        |   | 15.09.25    | DESIGNED                 | TY. SATO         |
| CHECKED : YY. HIYAMA                 |                        |   | 15.09.25    | CHECKED                  | FS. YOSHIDA      |
| DESIGNED : TY. SATO                  |                        |   | 15.09.25    | DATE                     | 18.02.14         |
| DRAWN : TY. SATO                     |                        |   | 15.09.25    |                          |                  |
| <b>HRS</b> HIROSE ELECTRIC CO., LTD. |                        |   | DRAWING NO. |                          | EDC-179725-00-00 |
|                                      |                        |   | PART NO.    |                          | MF11BMT-WRFA01   |
|                                      |                        |   | CODE NO.    |                          | CL709-7012-0-00  |
|                                      |                        |   |             |                          | △3 1/1           |