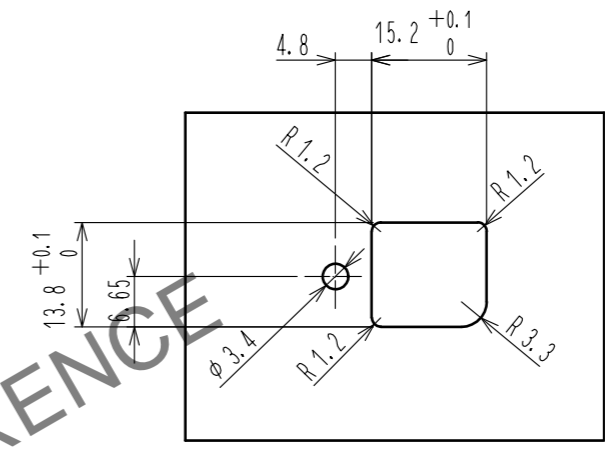
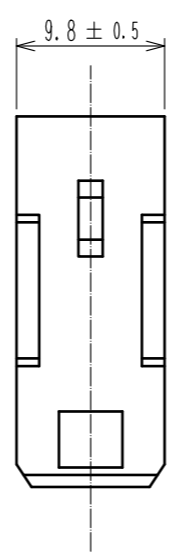
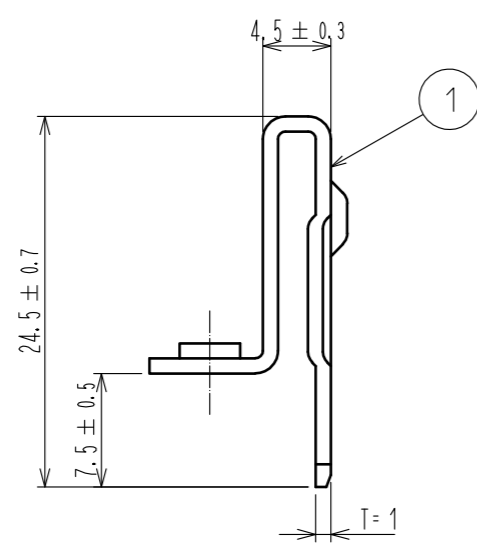
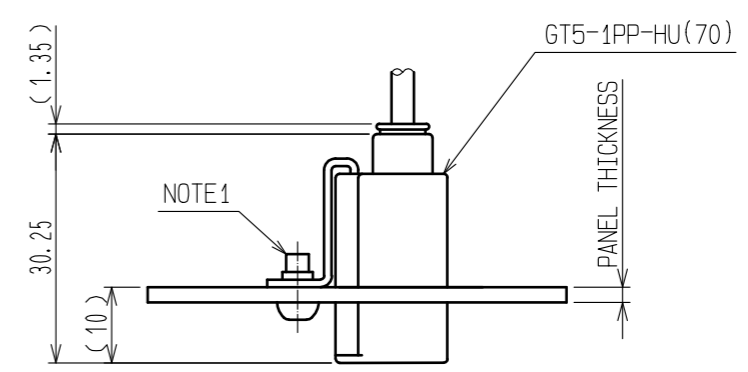
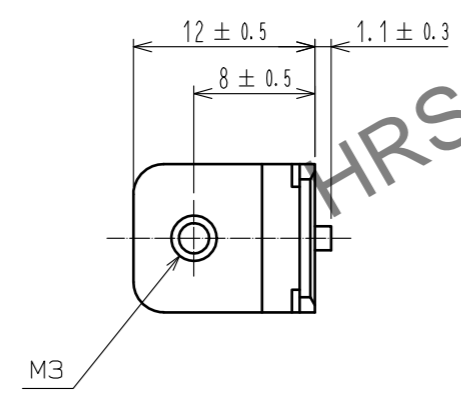


Apr.1.2025 Copyright 2025 HIROSE ELECTRIC CO., LTD. All Rights Reserved.
In case of consideration for using Automotive equipment / device which demand high reliability, kindly contact our sales window correspondents.

ELV, RoHS COMPLIANT



RECOMMENDED PANEL CUT-OUT FOR GT5-1PP-HU(70) (1:1)



MATED CONNECTORS FOR GT5-1PP-HU(70) (1:1)

NOTE 1. USE JIS B 1111 AND 1101 M3 SCREWS.

1	SPCC	TIN PLATING			
NO.	MATERIAL	FINISH . REMARKS	NO.	MATERIAL	FINISH . REMARKS
UNITS mm		SCALE 2 : 1		DESCRIPTION OF REVISIONS	DESIGNED
					CHECKED
					DATE
HIROSE ELECTRIC CO., LTD.			APPROVED : NH. NAKATA 15.09.03 CHECKED : KI. HIROKAWA 15.09.03 DESIGNED : TS. KUBOTA 15.08.19 DRAWN : TS. KUBOTA 15.08.19	DRAWING NO. EDC-071635-70-01 PART NO. GT-BK(70) CODE NO. CL751-0039-6-70	1/1