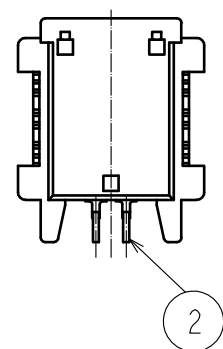
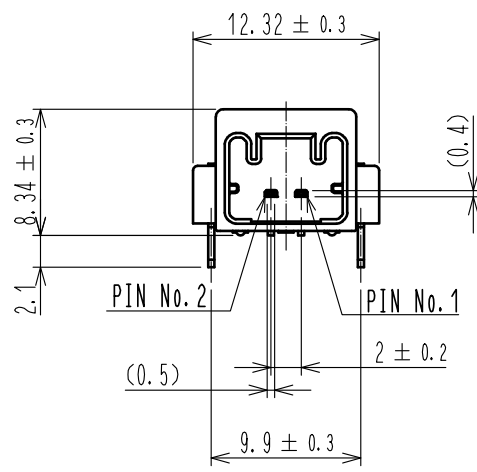
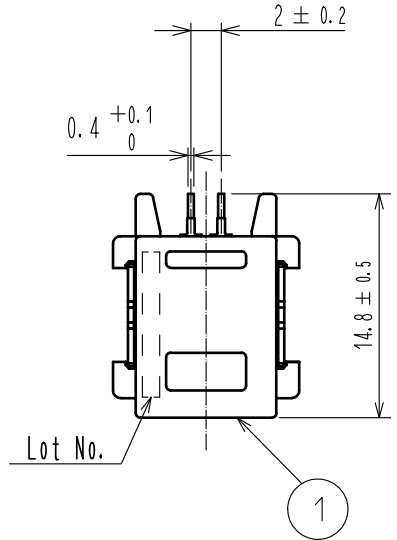
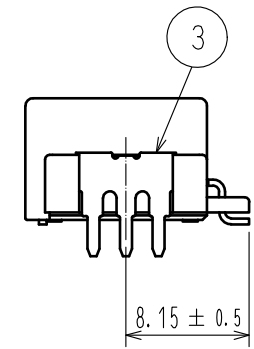
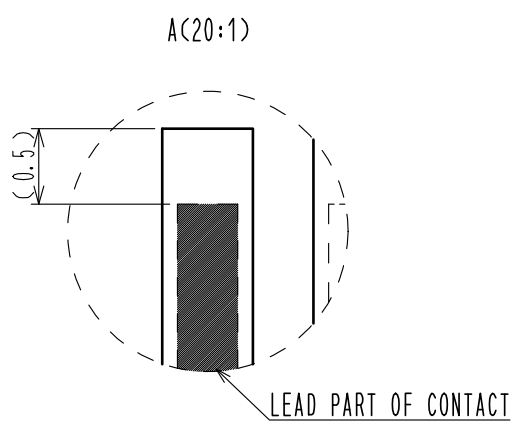
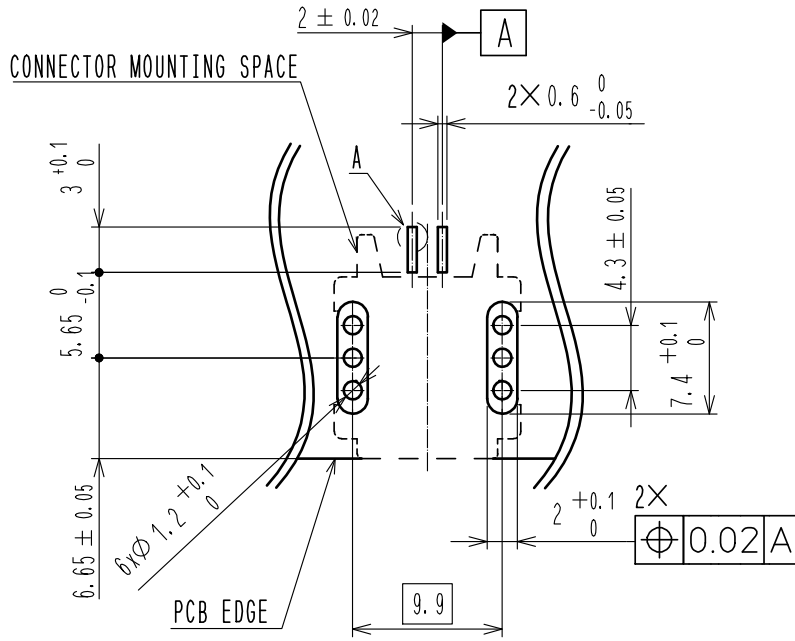


ELV, RoHS COMPLIANT

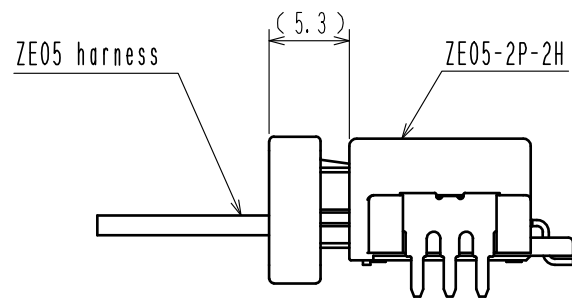


HRS DRAWING FOR REFERENCE

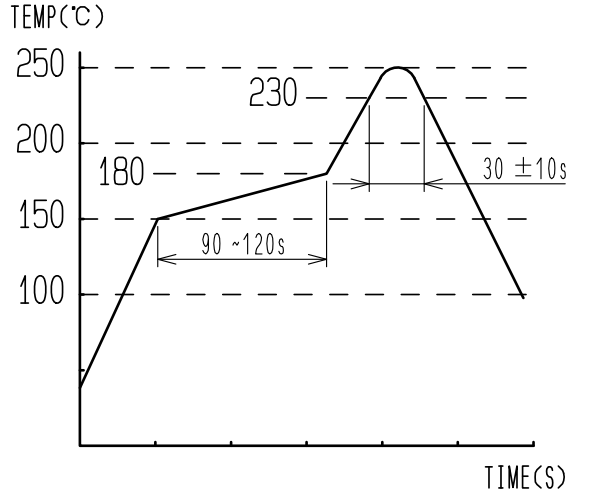
RECOMMENDED PCB PATTERN



MATED CONNECTORS



- NOTE 1. RECOMMENDED TEMPERATURE PROFILE FOR REFLOW (REFER TO RIGHT FIG.)
 USED REFLOW SYSTEM : IR IN THE AIR OR NITROGEN
 NO. OF CYCLES : 2 MAX
 PEAK : 250°C
 OVER 230°C : 20~40s
 PREHEAT : 150~180°C 90~120s
2. TEMPERATURE FOR SOLDERING IRON : 280~300°C WITHIN 2s
3. CO-PLANARITY SHALL BE 0.1mm MAX.
4. RECOMMENDED PCB THICKNESS IS 1.6mm.
5. RECOMMENDED SOLDER THICKNESS IS 0.15mm.



2	BRASS	SURFACE PLATING : TIN PLATING 1µm min UNDER PLATING : NICKEL 1µm min	5	POLYESTER			
1	PA	BLACK UL94V-0	4	POLYSTYRENE			
			3	BRASS	SURFACE PLATING : TIN PLATING 1µm min UNDER PLATING : NICKEL 1µm min		
NO.	MATERIAL	FINISH . REMARKS	NO.	MATERIAL	FINISH . REMARKS		
UNITS mm	⊙	SCALE 2 : 1	COUNT	DESCRIPTION OF REVISIONS	DESIGNED	CHECKED	DATE
HRS HIROSE ELECTRIC CO., LTD.		APPROVED : HK. UMEHARA	20190128	DRAWING NO. EDC-368626-00-00			
		CHECKED : HH. TSUKUMO	20190128	PART NO. ZE05-2P-2H			
		DESIGNED : YH. MAMADA	20190128	CODE NO. CL752-2100-0-00			
		DRAWN : YH. MAMADA	20190128			1/2	

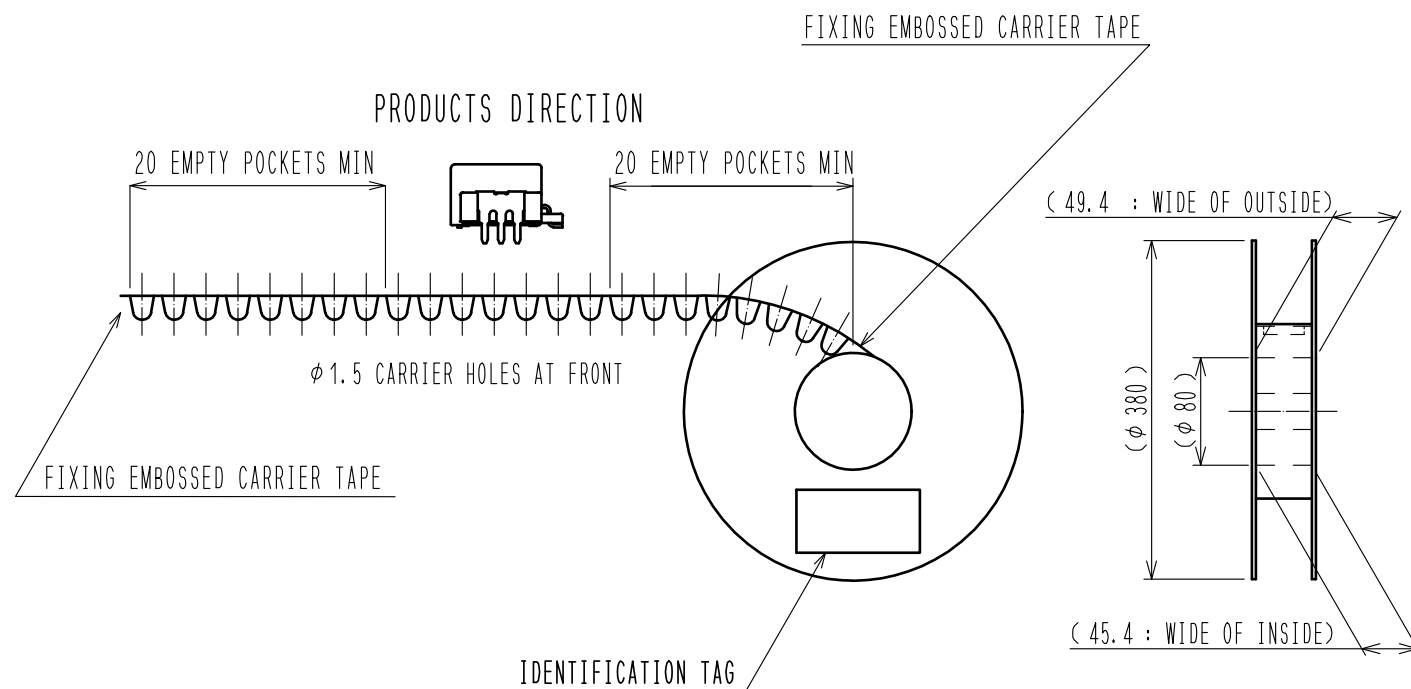
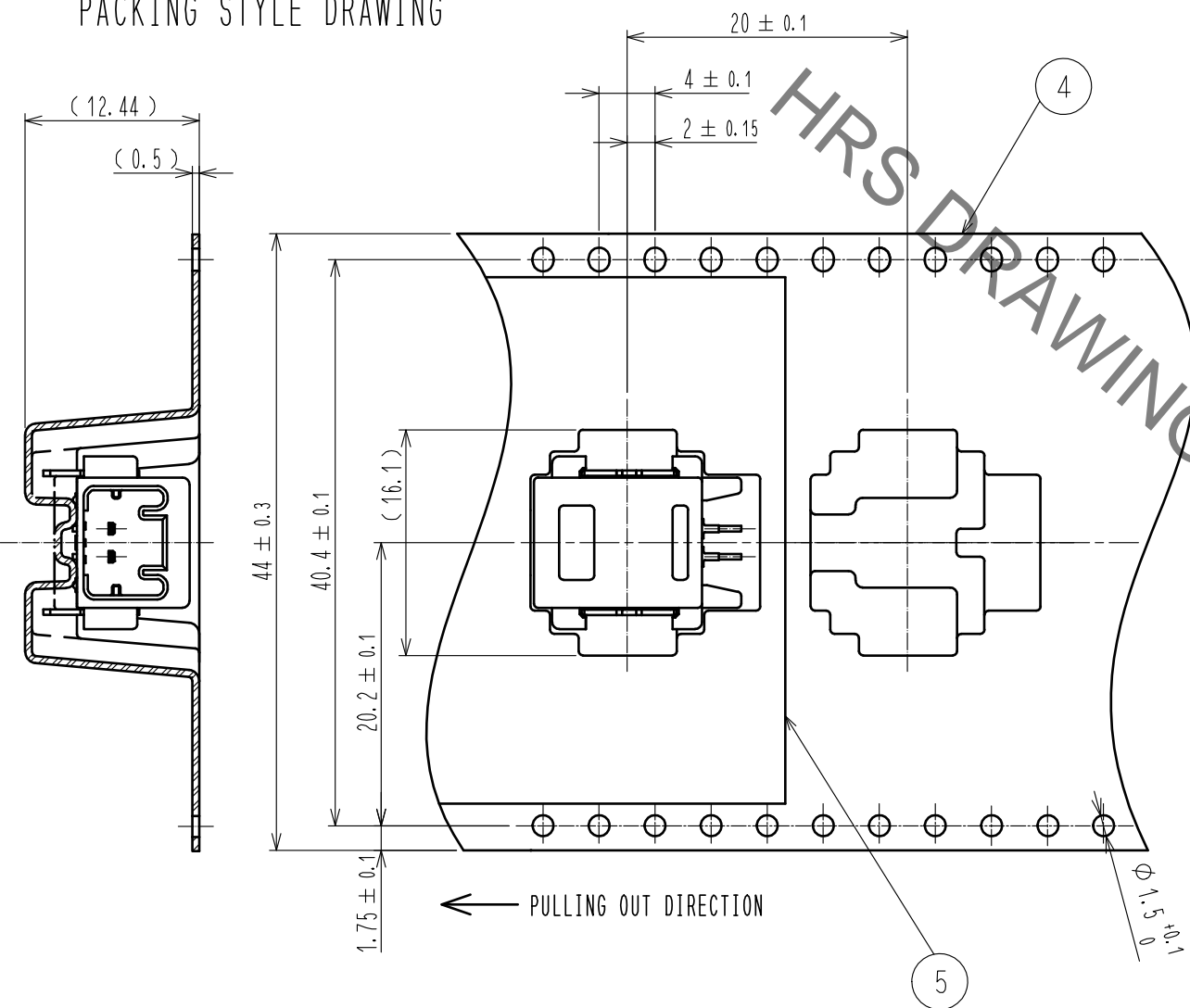
Oct.1.2021 Copyright 2021 HIROSE ELECTRIC CO., LTD. All Rights Reserved. In case of consideration for using Automotive equipment / device which demand high reliability, kindly contact our sales window correspondents.

Oct.1.2021 Copyright 2021 HIROSE ELECTRIC CO., LTD. All Rights Reserved.
 In case of consideration for using Automotive equipment / device which demand high reliability, kindly contact our sales window correspondents.

PACKING STYLE

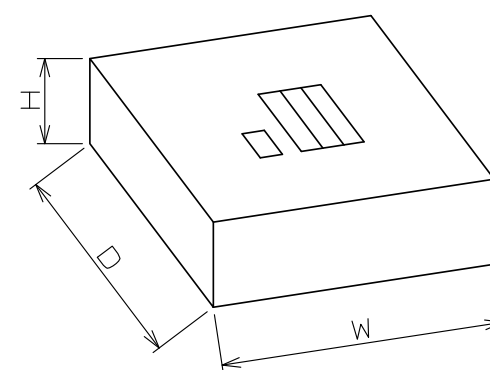
REEL DIMENSION (FREE)

PACKING STYLE DRAWING




CARDBOARD DIMENSION (FREE)

W=(405) (mm)
 D=(405) (mm)
 H=(51) (mm)



HRS DRAWING FOR REFERENCE

HRS	DRAWING NO.	EDC-368626-00-00	 2/2
	PART NO.	ZE05-2P-2H	
	CODE NO.	CL752-2100-0-00	