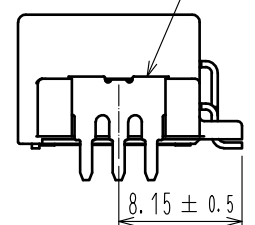
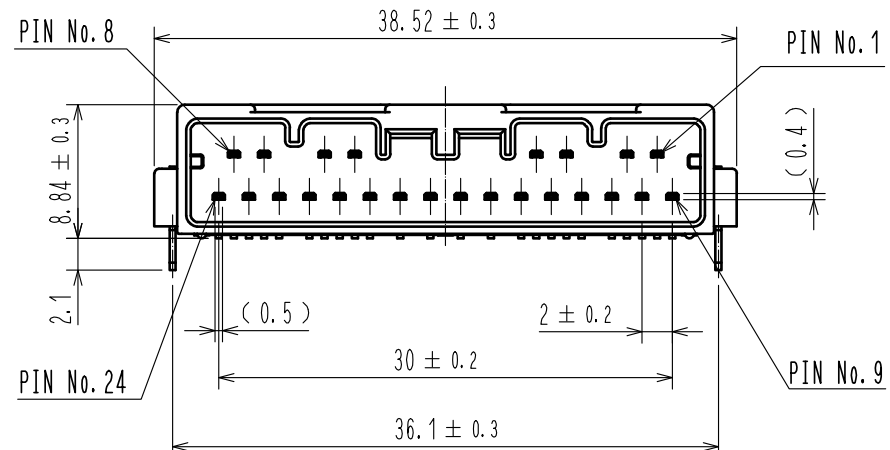
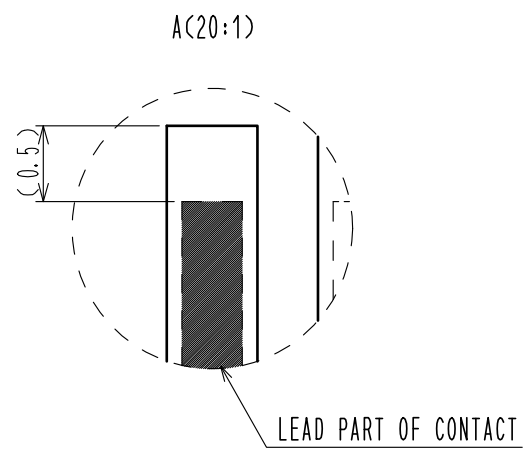
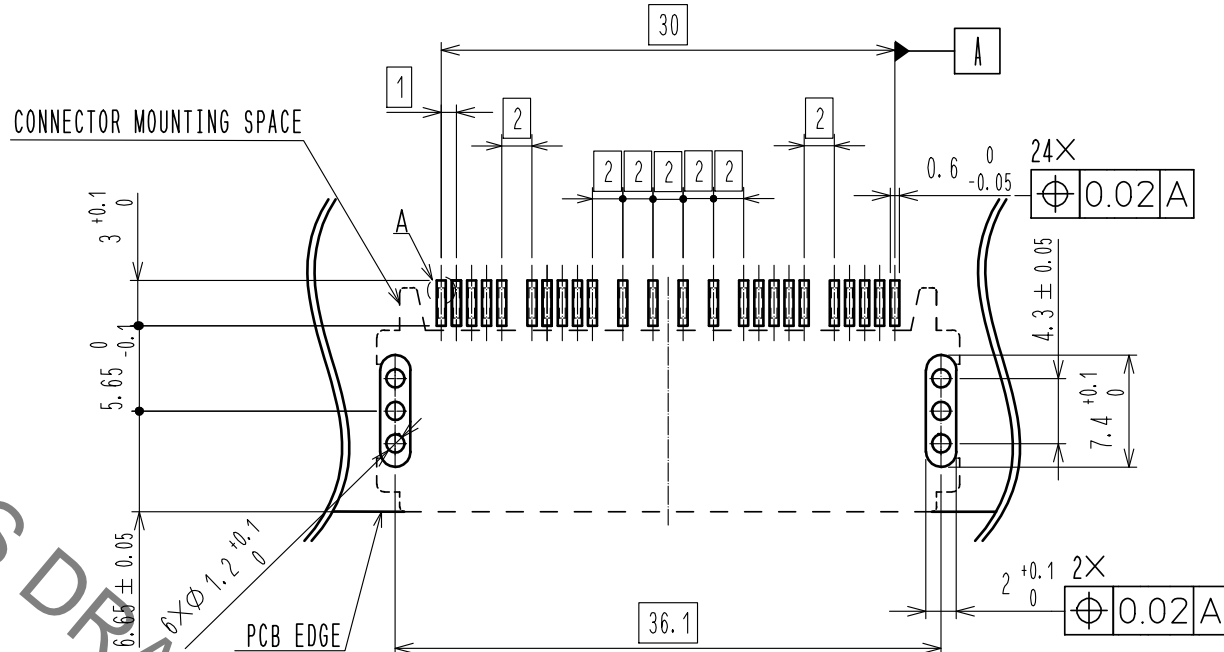
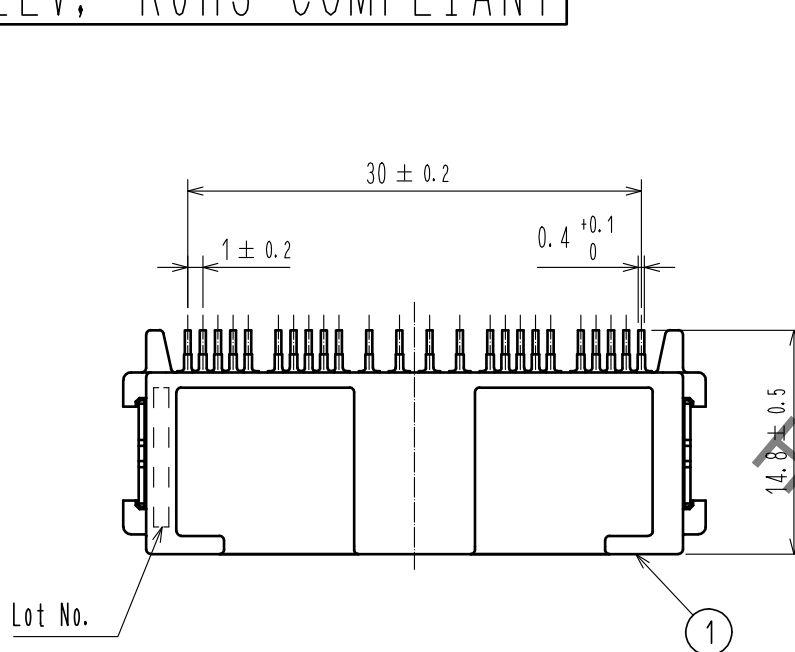


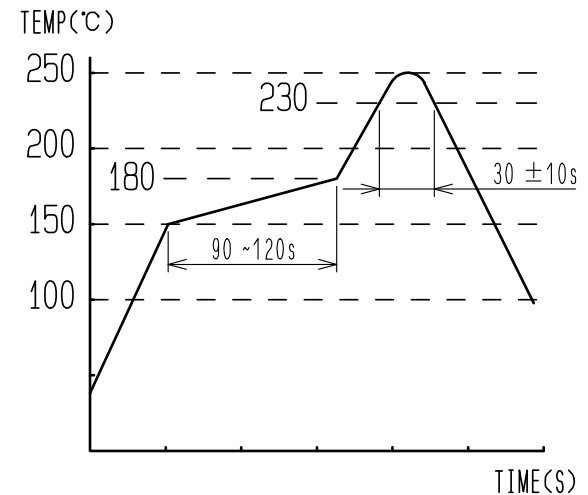
Oct.1.2021 Copyright 2021 HIROSE ELECTRIC CO., LTD. All Rights Reserved.
In case of consideration for using Automotive equipment / device which demand high reliability, kindly contact our sales window correspondents.

ELV, RoHS COMPLIANT

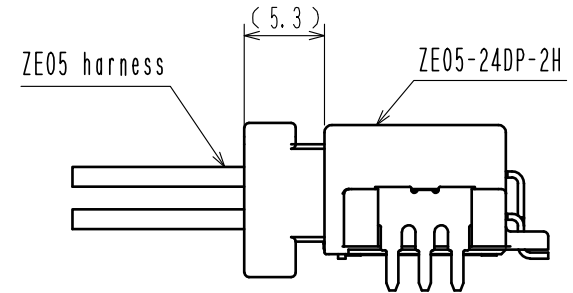
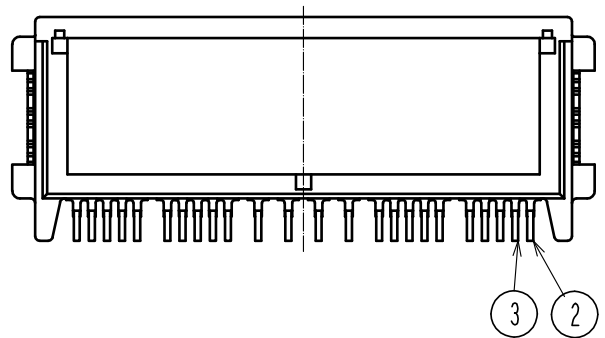
RECOMMENDED PCB PATTERN



- NOTE 1. RECOMMENDED TEMPERATURE PROFILE FOR REFLOW (REFER TO RIGHT FIG.) USED REFLOW SYSTEM
- : IR IN THE AIR OR NITROGEN
 - NO. OF CYCLES : 2 MAX
 - PEAK : 250°C
 - OVER 230°C : 20~40s
 - PREHEAT : 150~180°C
 - 90~120s
2. TEMPERATURE FOR SOLDERING IRON : 280~300°C WITHIN 2s
3. CO-PLANARITY SHALL BE 0.1mm MAX.
4. RECOMMENDED PCB THICKNESS IS 1.6mm.
5. RECOMMENDED SOLDER THICKNESS IS 0.15mm.



MATED CONNECTORS



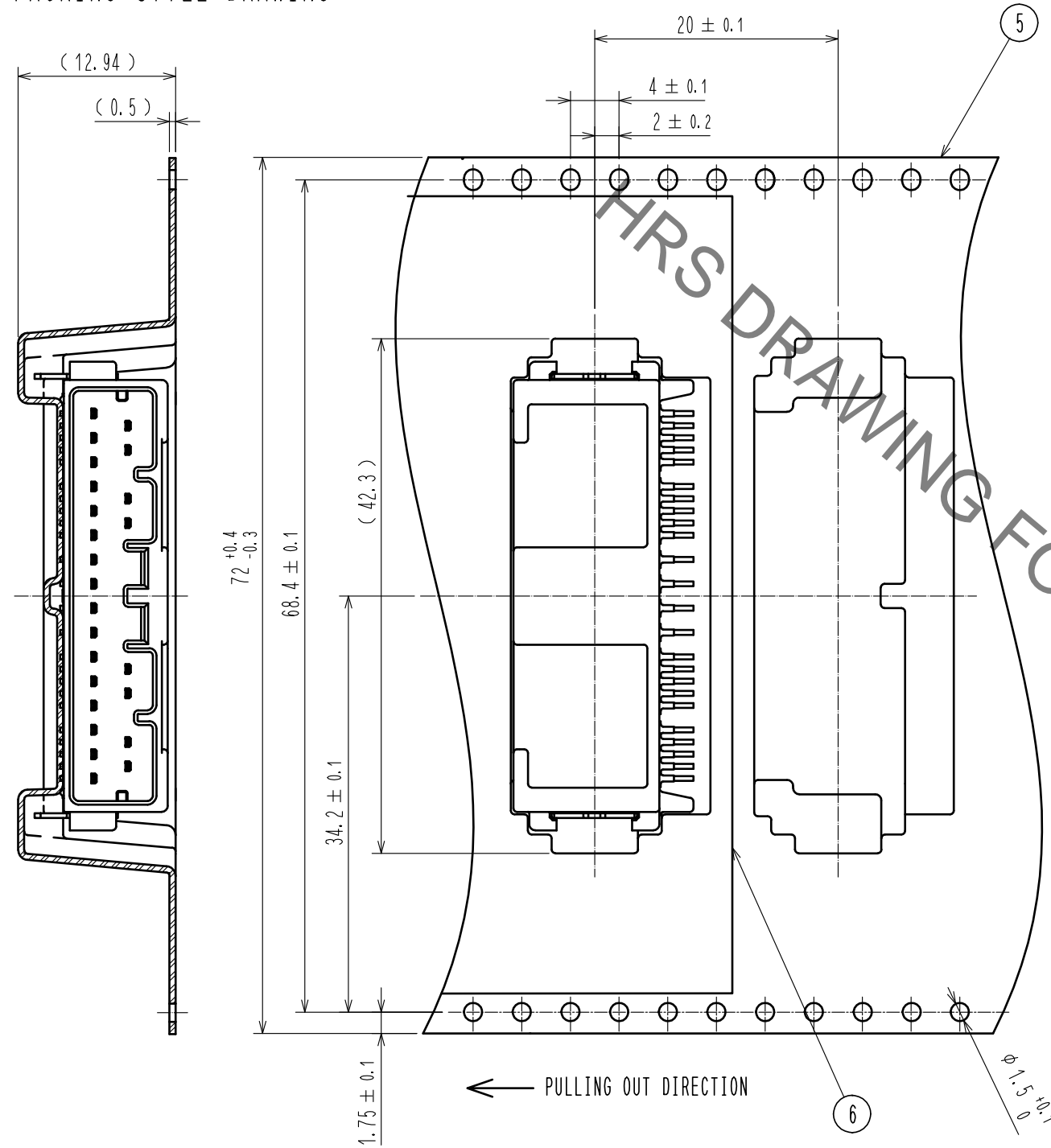
3	BRASS	SURFACE PLATING : TIN PLATING 1μm min			
		UNDER PLATING : NICKEL 1μm min	6	POLYESTER	
2	BRASS	SURFACE PLATING : TIN PLATING 1μm min	5	POLYSTYRENE	
		UNDER PLATING : NICKEL 1μm min			SURFACE PLATING : TIN PLATING 1μm min
1	PA	BLACK UL94V-0	4	BRASS	UNDER PLATING : NICKEL 1μm min
NO.	MATERIAL	FINISH . REMARKS	NO.	MATERIAL	FINISH . REMARKS

UNITS mm		SCALE 2 : 1	COUNT 	DESCRIPTION OF REVISIONS	DESIGNED	CHECKED	DATE
HRS HIROSE ELECTRIC CO., LTD.		APPROVED : HK. UMEHARA	20181108	DRAWING NO.	EDC-368633-00-00		
		CHECKED : HH. TSUKUMO	20181108	PART NO.	ZE05-24DP-2H		
		DESIGNED : YH. MAMADA	20181108	CODE NO.	CL752-2107-0-00		
		DRAWN : MN. SATOH	20181108		1/2		

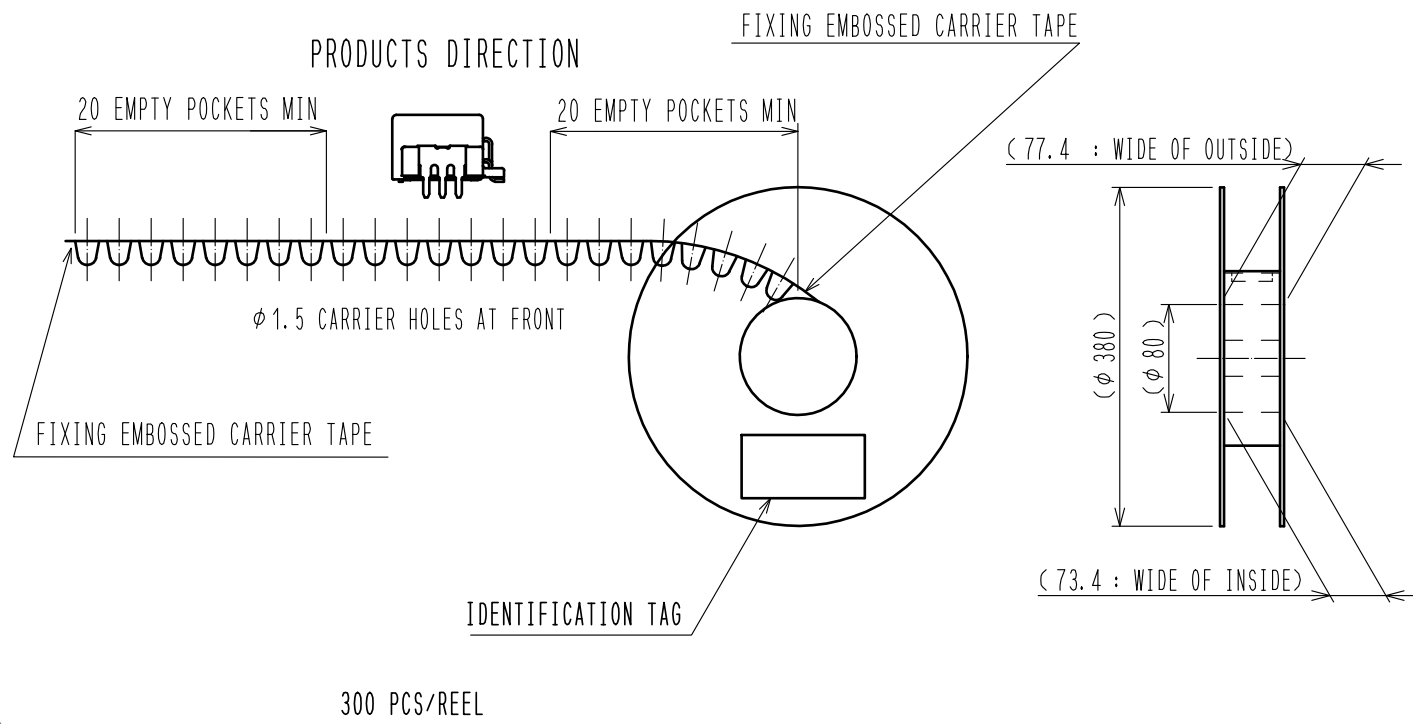
Oct.1.2021 Copyright 2021 HIROSE ELECTRIC CO., LTD. All Rights Reserved.
 In case of consideration for using Automotive equipment / device which demand high reliability, kindly contact our sales window correspondents.

PACKING STYLE

PACKING STYLE DRAWING

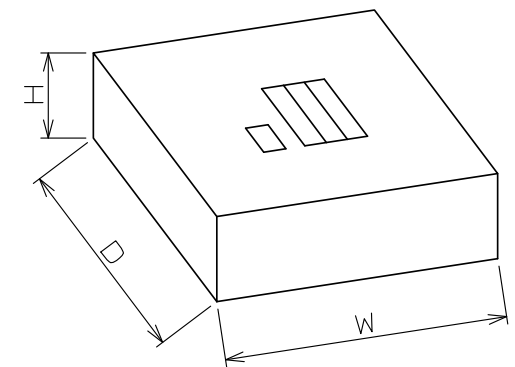


REEL DIMENSION (FREE)



CARDBOARD DIMENSION (FREE)

W=(405) (mm)
 D=(405) (mm)
 H=(80) (mm)



HRS DRAWING FOR REFERENCE

HRS	DRAWING NO.	EDC-368633-00-00	2/2
	PART NO.	ZE05-24DP-2H	
	CODE NO.	CL752-2107-0-00	