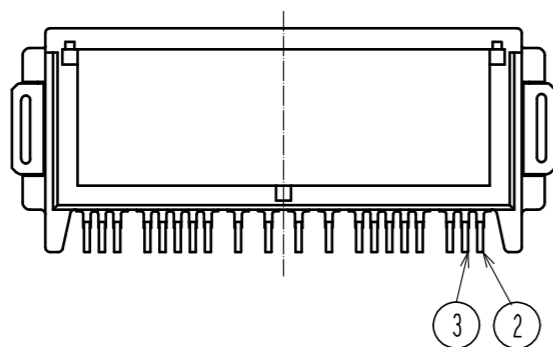
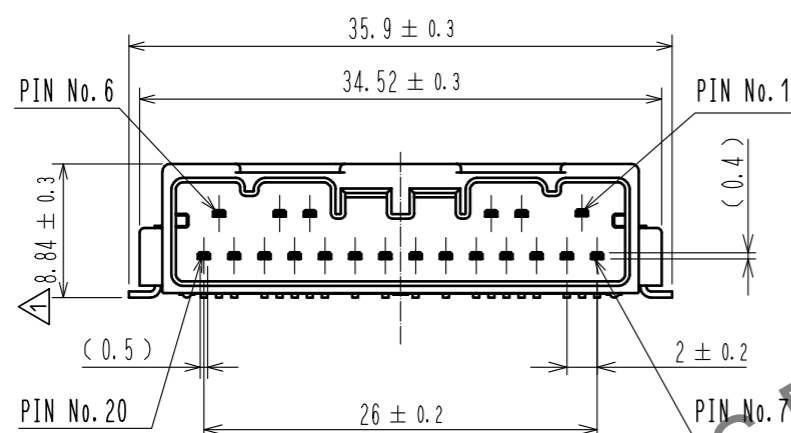
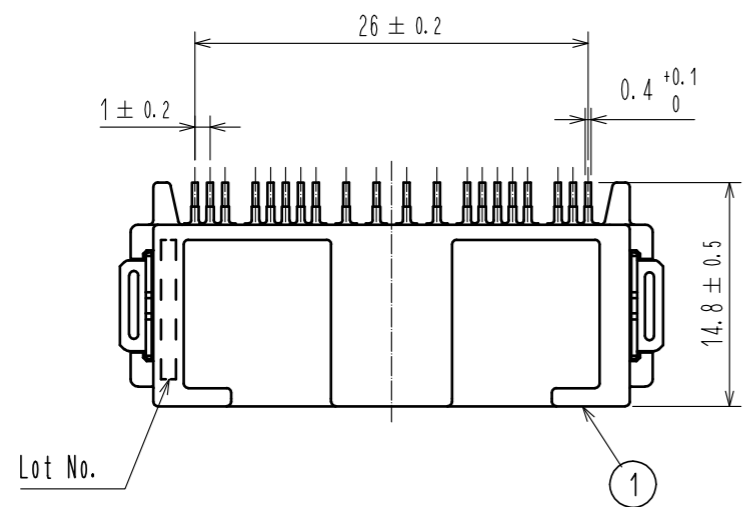
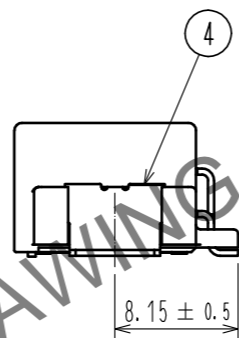
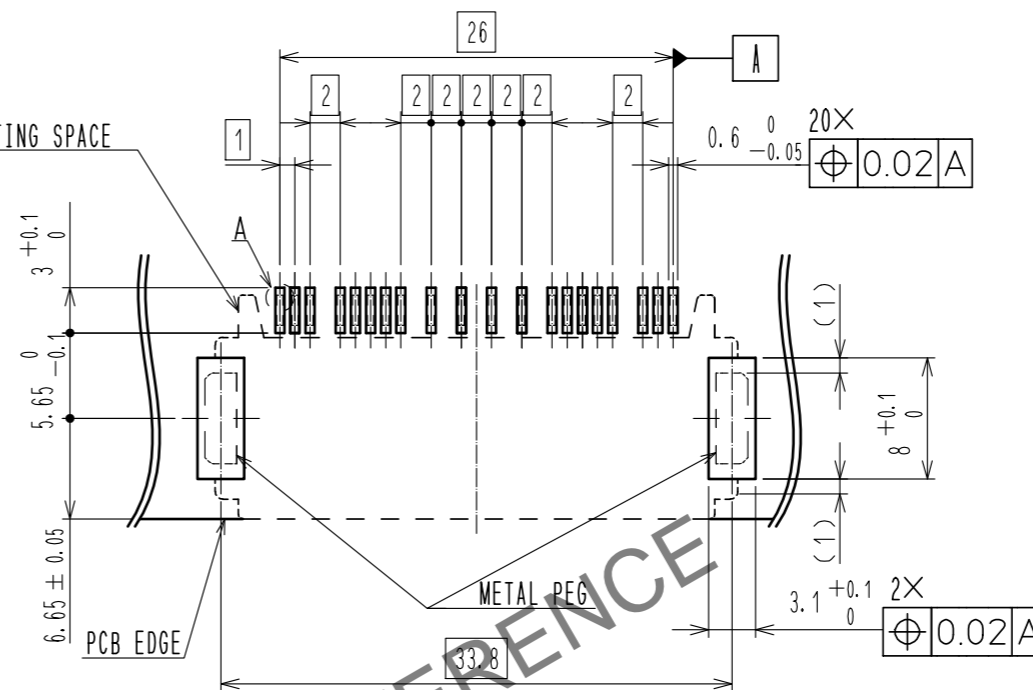


May.1.2024 Copyright 2024 HIROSE ELECTRIC CO., LTD. All Rights Reserved.
In case of consideration for using Automotive equipment / device which demand high reliability, kindly contact our sales window correspondents.

ELV, RoHS COMPLIANT



CONNECTOR MOUNTING SPACE



NOTE 1. RECOMMENDED TEMPERATURE PROFILE FOR REFLOW (REFER TO RIGHT FIG.)
USED REFLOW SYSTEM

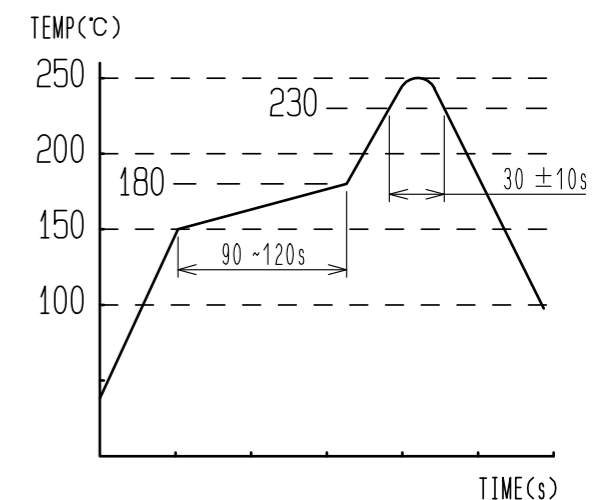
- : IR IN THE AIR OR NITROGEN
- NO. OF CYCLES : 2 MAX
- PEAK : 250°C
- OVER 230°C : 20~40s
- PREHEAT : 150~180°C
- 90~120s

2. TEMPERATURE FOR SOLDERING IRON : 280~300°C WITHIN 2s

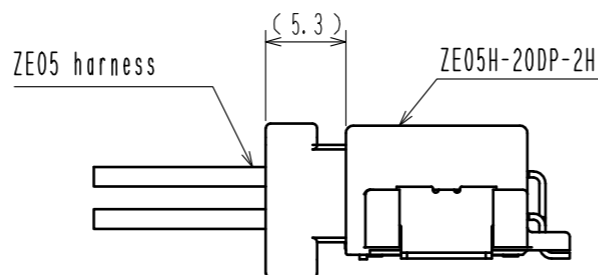
3. CO-PLANARITY SHALL BE 0.1mm MAX.

4. RECOMMENDED PCB THICKNESS IS 1.6mm.

5. RECOMMENDED SOLDER THICKNESS IS 0.15mm.



MATED CONNECTORS

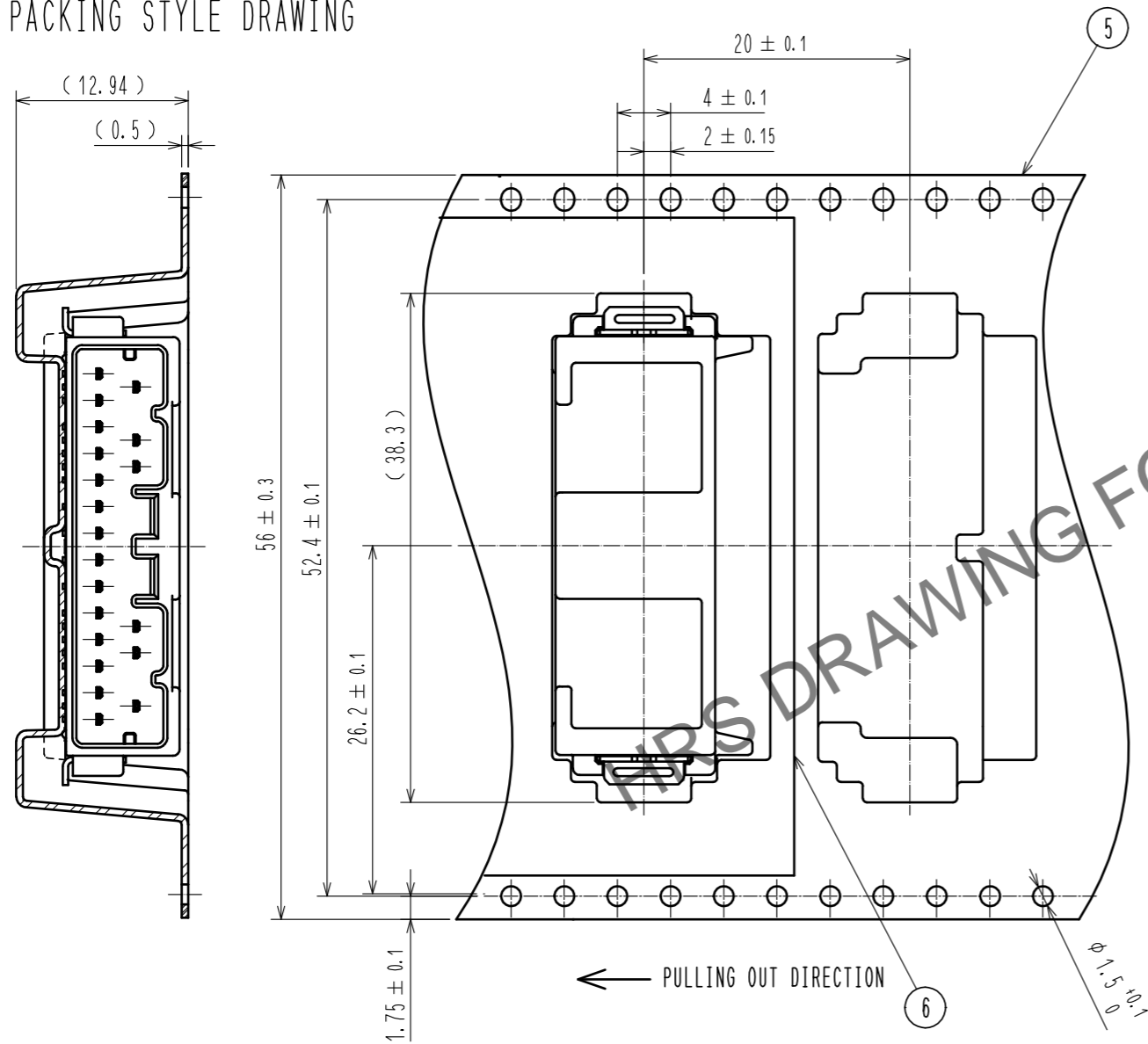


3	BRASS	SURFACE PLATING : TIN PLATING 1μm min				
		UNDER PLATING : NICKEL 1μm min	6	POLYESTER		
2	BRASS	SURFACE PLATING : TIN PLATING 1μm min	5	POLYSTYRENE		
		UNDER PLATING : NICKEL 1μm min	4	BRASS	SURFACE PLATING : TIN PLATING 1μm min	
1	PA	BLACK UL94V-0			UNDER PLATING : NICKEL 1μm min	
NO.	MATERIAL	FINISH . REMARKS	NO.	MATERIAL	FINISH . REMARKS	
UNITS	mm	SCALE 2 : 1	COUNT 1	DESCRIPTION OF REVISIONS DIS-T-00013707	DESIGNED DK. YAMASUSO	CHECKED HH. TSUKUMO
					DATE 20220423	
HRS HIROSE ELECTRIC CO., LTD.		APPROVED : HK. UMEHARA 20190511	DRAWING NO. EDC-373534-00-00			
		CHECKED : HK. UMEHARA 20190511	PART NO. ZE05H-20DP-2H			
		DESIGNED : YH. MAMADA 20190511	CODE NO. CL0752-2115-0-00			
		DRAWN : MINTAE KANG 20190511				

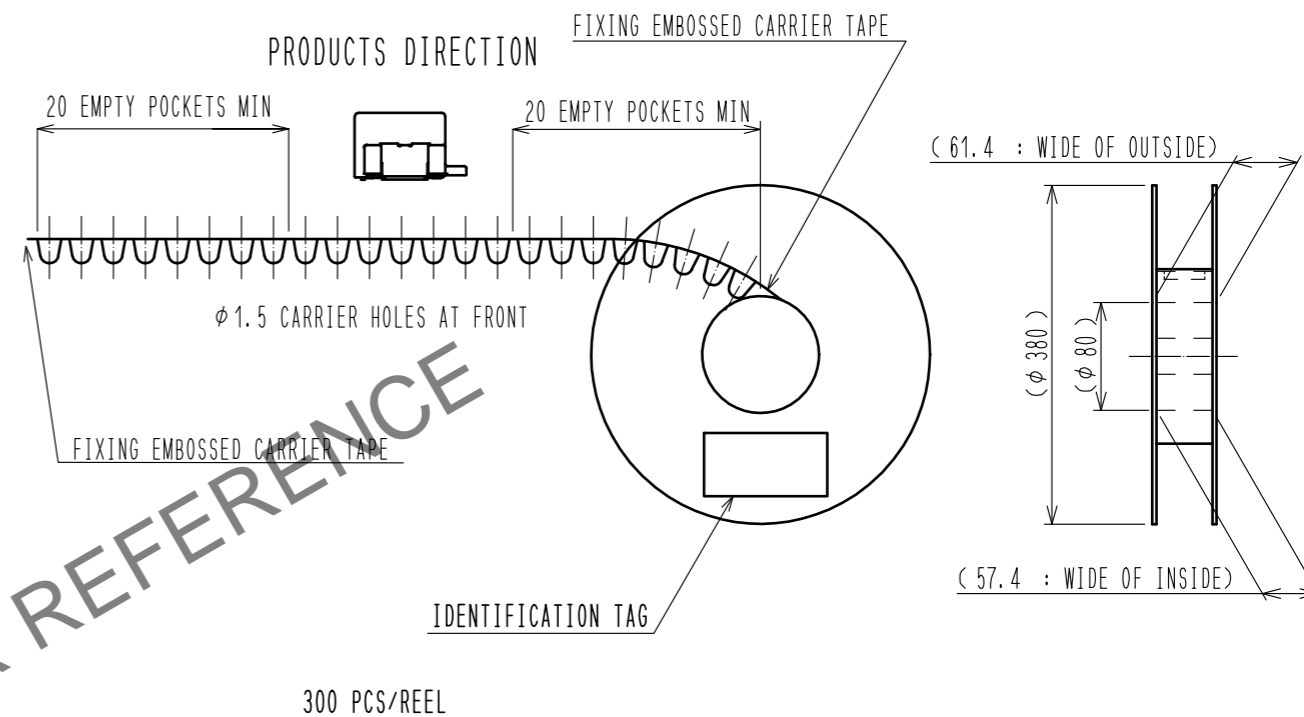
May.1.2024 Copyright 2024 HIROSE ELECTRIC CO., LTD. All Rights Reserved.
 In case of consideration for using Automotive equipment / device which demand high reliability, kindly contact our sales window correspondents.

PACKING STYLE

PACKING STYLE DRAWING

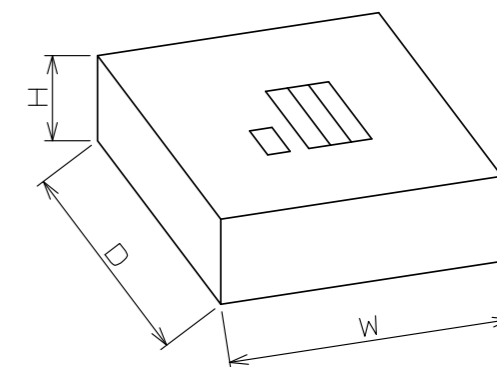


REEL DIMENSION (FREE)



CARDBOARD DIMENSION (FREE)

W=(405) (mm)
 D=(405) (mm)
 H=(63) (mm)



HRS DRAWING FOR REFERENCE

HRS	DRAWING NO.	EDC-373534-00-00
	PART NO.	ZE05H-20DP-2H
	CODE NO.	CL0752-2115-0-00
		2/2