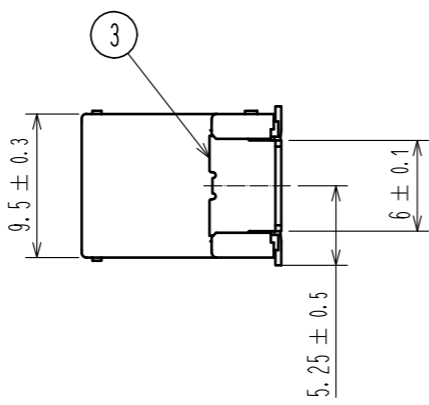
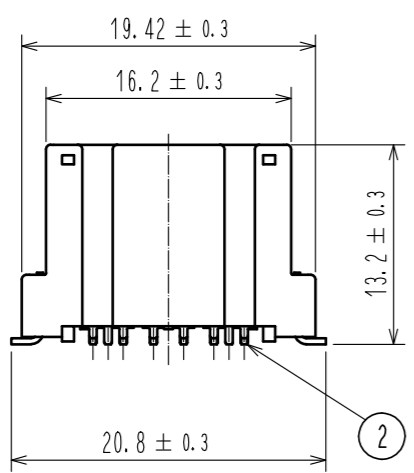
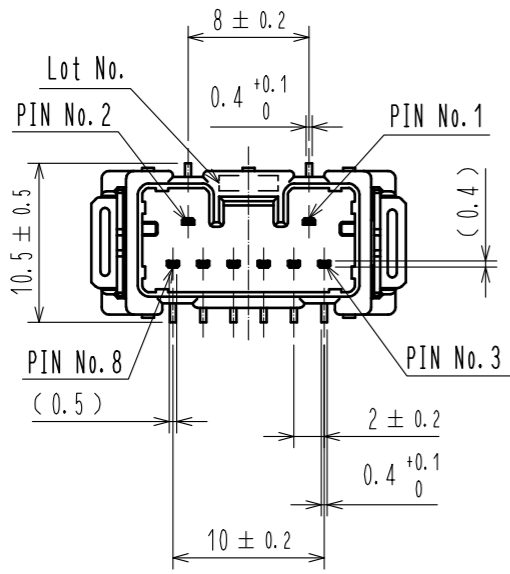
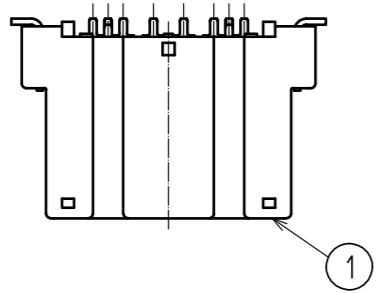
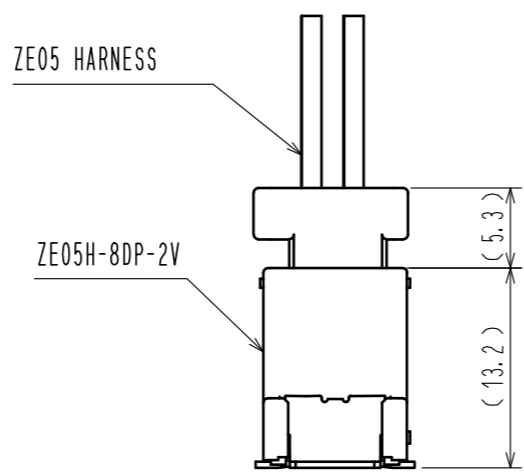


Aug.1.2021 Copyright 2021 HIROSE ELECTRIC CO., LTD. All Rights Reserved.
In case of consideration for using Automotive equipment / device which demand high reliability, kindly contact our sales window correspondents.

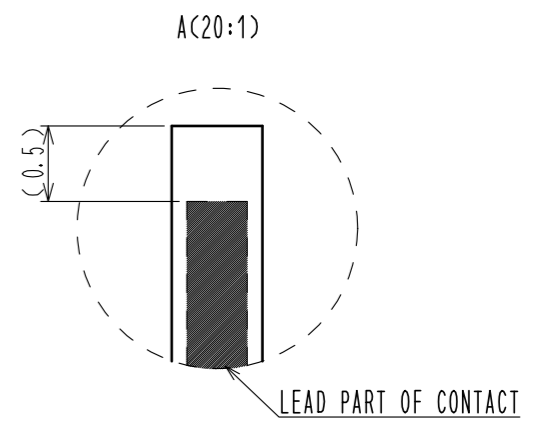
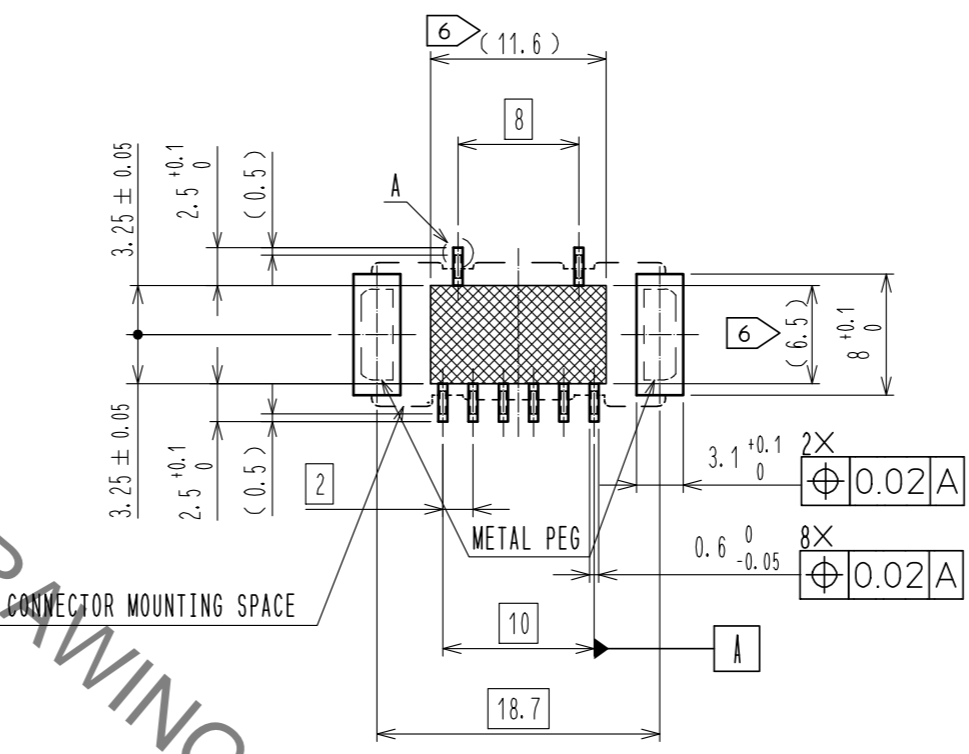
ELV, RoHS COMPLIANT



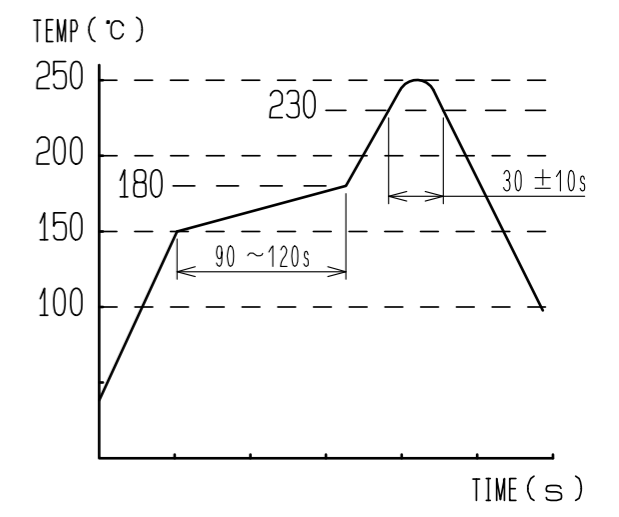
MATED CONNECTORS



RECOMMENDED PCB PATTERN



- NOTE 1. RECOMMENDED TEMPERATURE PROFILE FOR REFLOW (REFER TO RIGHT FIG.) USED REFLOW SYSTEM
- : IR IN THE AIR OR NITROGEN
 - NO. OF CYCLES : 2 MAX
 - PEAK : 250°C
 - OVER 230°C : 20~40s
 - PREHEAT : 150~180°C
 - : 90~120s
2. TEMPERATURE FOR SOLDERING IRON : 280~300°C WITHIN 2s
3. CO-PLANARITY SHALL BE 0.1mm MAX.
4. RECOMMENDED PCB THICKNESS IS 1.6mm.
5. RECOMMENDED SOLDER THICKNESS IS 0.15mm.
6. : PROHIBITED PATTERN AREA



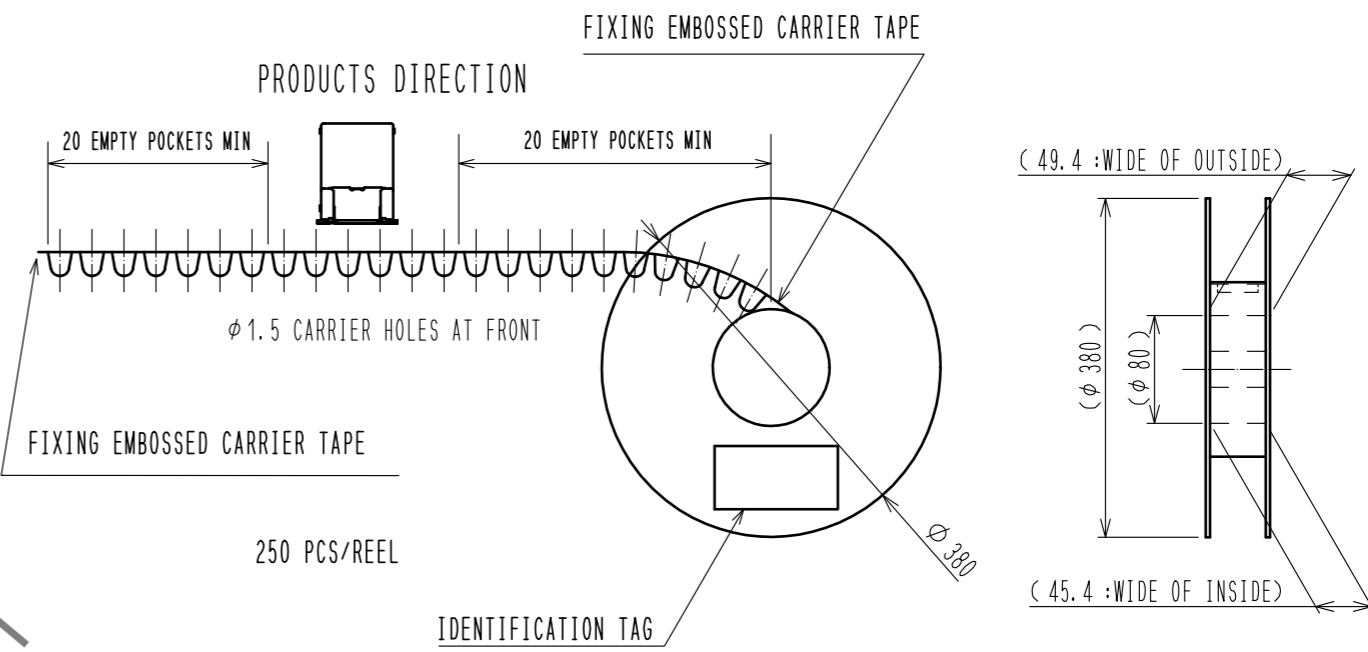
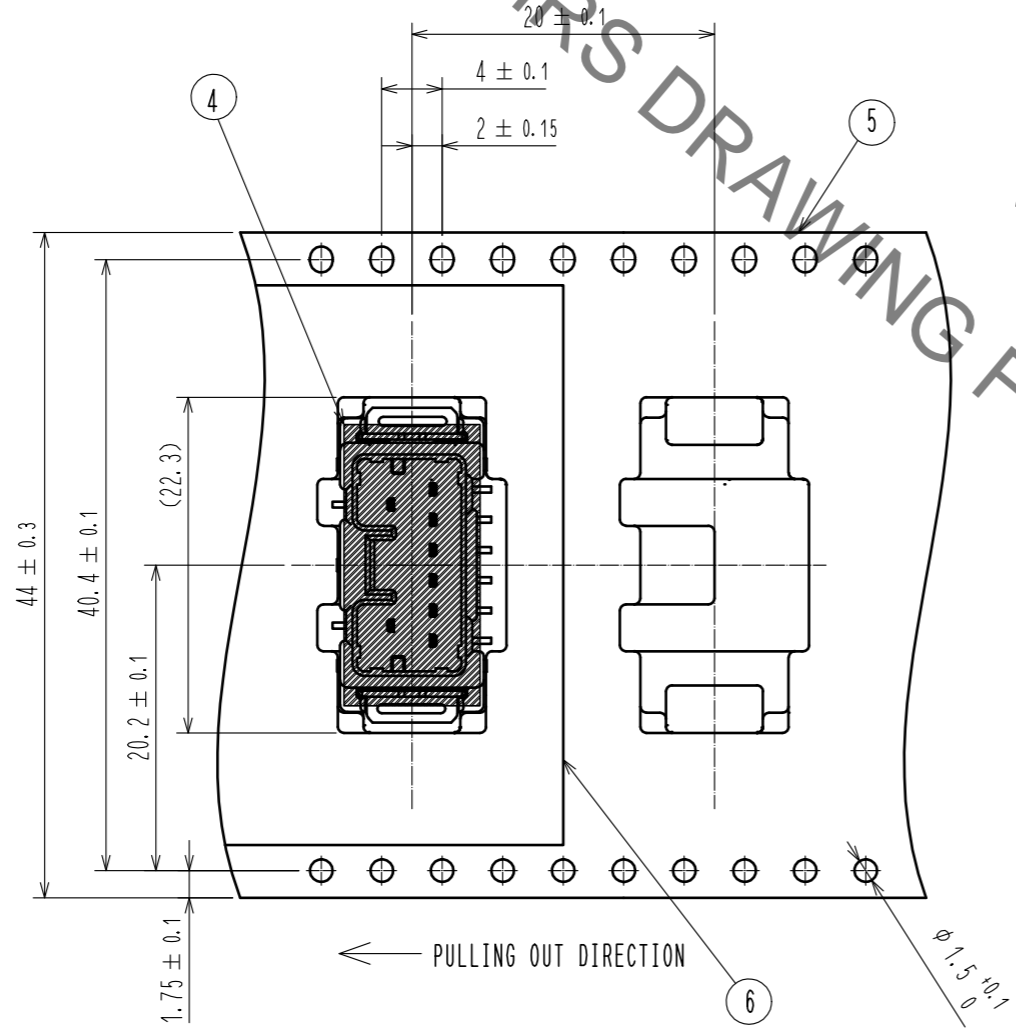
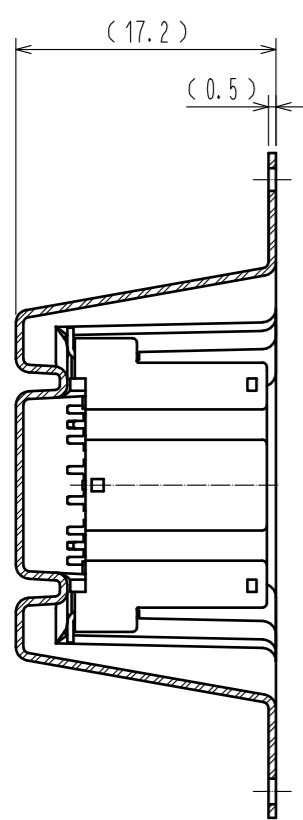
| | | | | | |
|-------------------------|----------|---|--------------------------------|--------------------------|------------------|
| 3 | BRASS | SURFACE PLATING : TIN PLATING 1μm min UNDER PLATING : NICKEL 1μm min | | | |
| 2 | BRASS | SURFACE PLATING : TIN PLATING 1μm min UNDER PLATING : NICKEL 1μm min | 6 | POLYESTER | |
| 1 | PA | BLACK UL94V-0 | 5 | POLYSTYRENE | |
| NO. | MATERIAL | FINISH . REMARKS | NO. | MATERIAL | FINISH . REMARKS |
| UNITS : mm | | SCALE : 2 : 1 | COUNT : | DESCRIPTION OF REVISIONS | |
| DESIGNED : HK. UMEHARA | | 20190517 | DRAWING NO. : EDC-376618-00-00 | | |
| CHECKED : OM. MIYAMOTO | | 20190517 | PART NO. : ZE05H-8DP-2V | | |
| DESIGNED : TY. ISHIGURO | | 20190517 | CODE NO. : CL752-2312-0-00 | | |
| DRAWN : GYEONGMIN LEE | | 20190515 | 1/2 | | |

Aug.1.2021 Copyright 2021 HIROSE ELECTRIC CO., LTD. All Rights Reserved.
 In case of consideration for using Automotive equipment / device which demand high reliability, kindly contact our sales window correspondents.

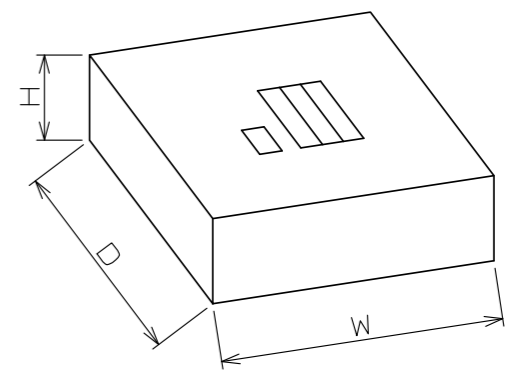
PACKING STYLE

REEL DIMENSION

PACKING STYLE DRAWING



CARDBOARD DIMENSION (FREE)



W=(405) (mm)
 D=(405) (mm)
 H= (51) (mm)

HRS DRAWING FOR REFERENCE

| | | |
|------------|-------------|------------------|
| HRS | DRAWING NO. | EDC-376618-00-00 |
| | PART NO. | ZE05H-8DP-2V |
| | CODE NO. | CL752-2312-0-00 |
| | | 2/2 |