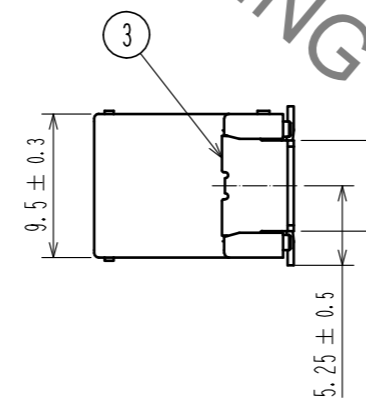
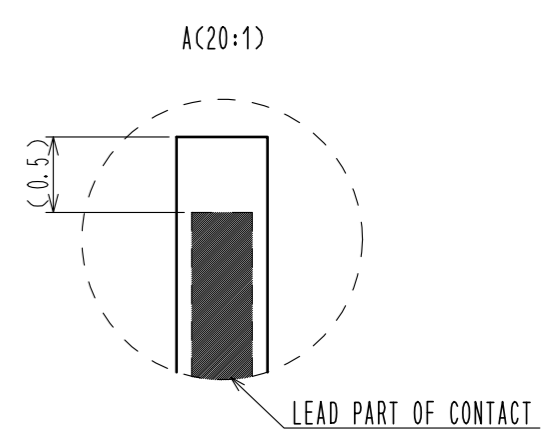
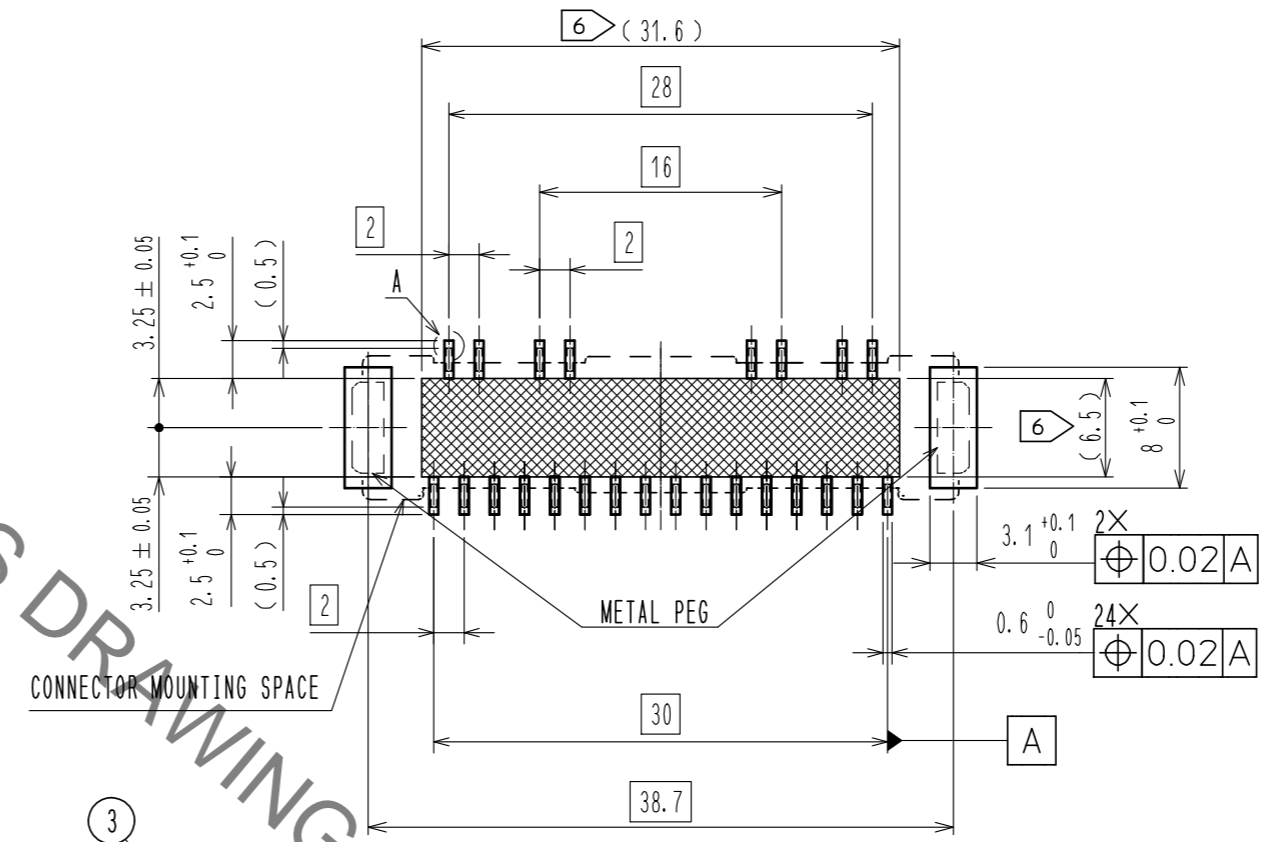
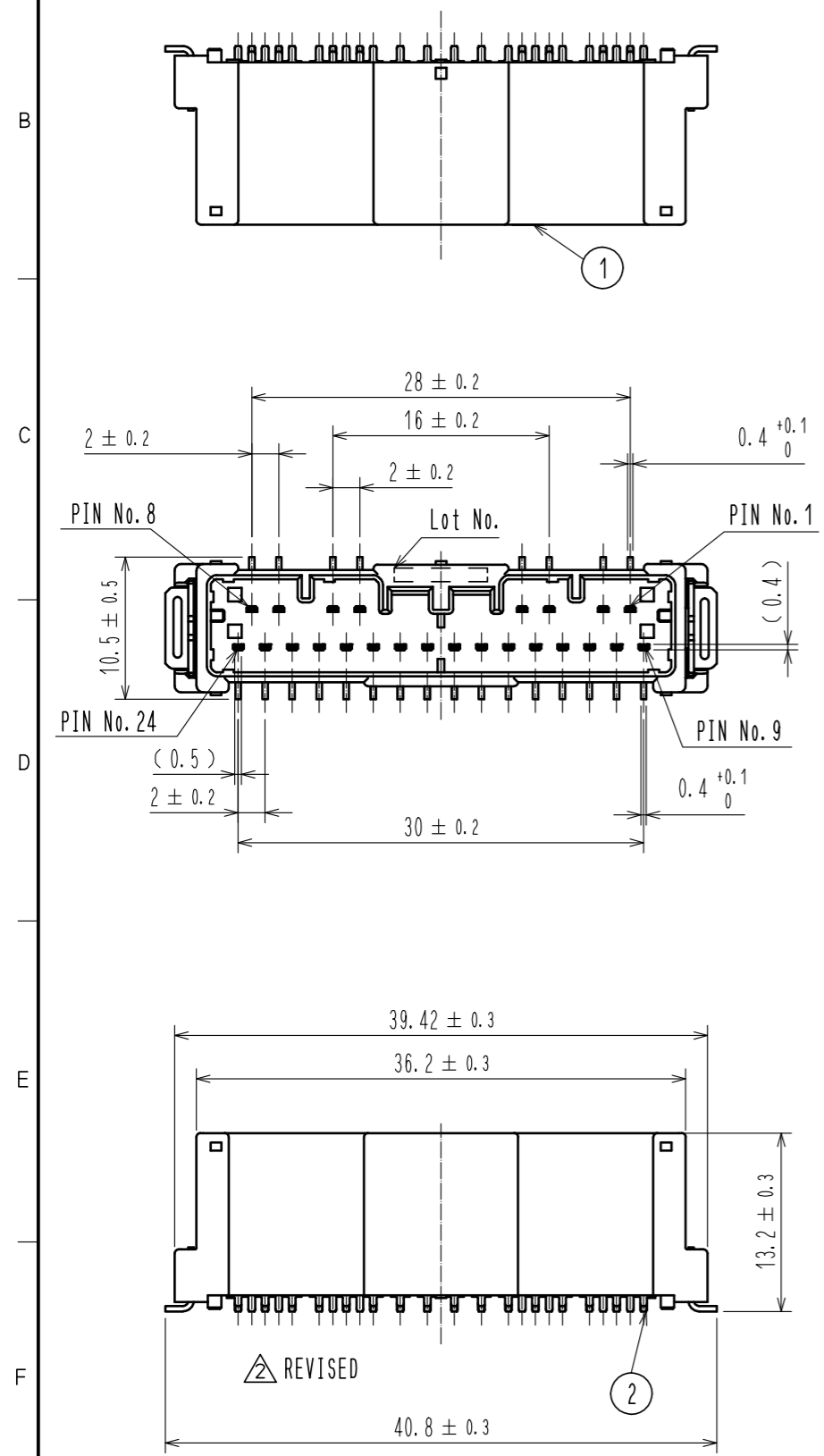


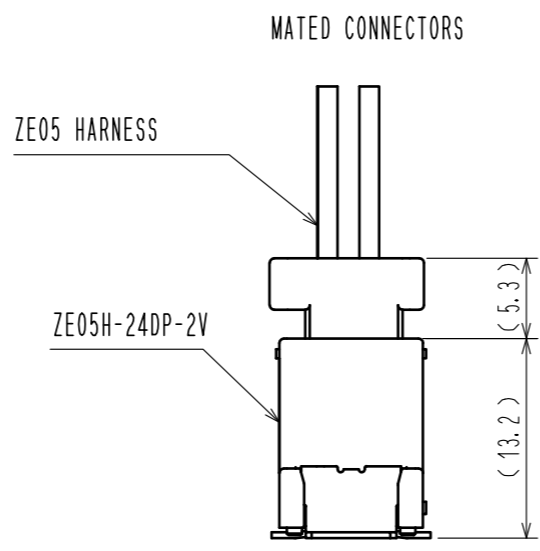
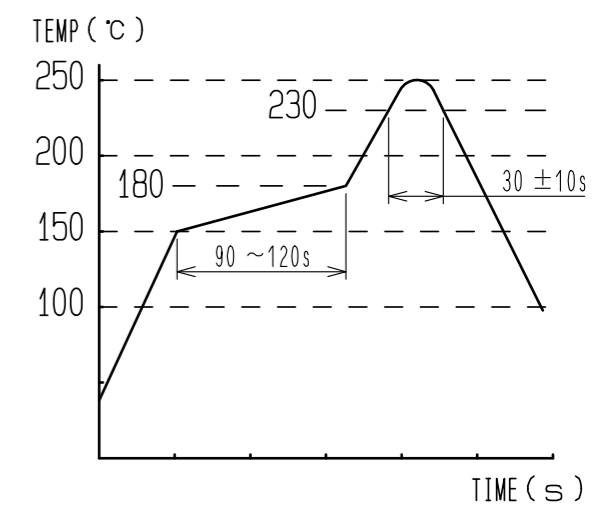
Sep.1.2021 Copyright 2021 HIROSE ELECTRIC CO., LTD. All Rights Reserved.
In case of consideration for using Automotive equipment / device which demand high reliability, kindly contact our sales window correspondents.

ELV, RoHS COMPLIANT

RECOMMENDED PCB PATTERN



- NOTE 1. RECOMMENDED TEMPERATURE PROFILE FOR REFLOW (REFER TO RIGHT FIG.)
USED REFLOW SYSTEM
: IR IN THE AIR OR NITROGEN
NO. OF CYCLES : 2 MAX
PEAK : 250°C
OVER 230°C : 20~40s
PREHEAT : 150~180°C
 : 90~120s
2. TEMPERATURE FOR SOLDERING IRON : 280~300°C WITHIN 2s
3. CO-PLANARITY SHALL BE 0.1mm MAX.
4. RECOMMENDED PCB THICKNESS IS 1.6mm.
5. RECOMMENDED SOLDER THICKNESS IS 0.15mm.
6. [Pattern Symbol] : PROHIBITED PATTERN AREA



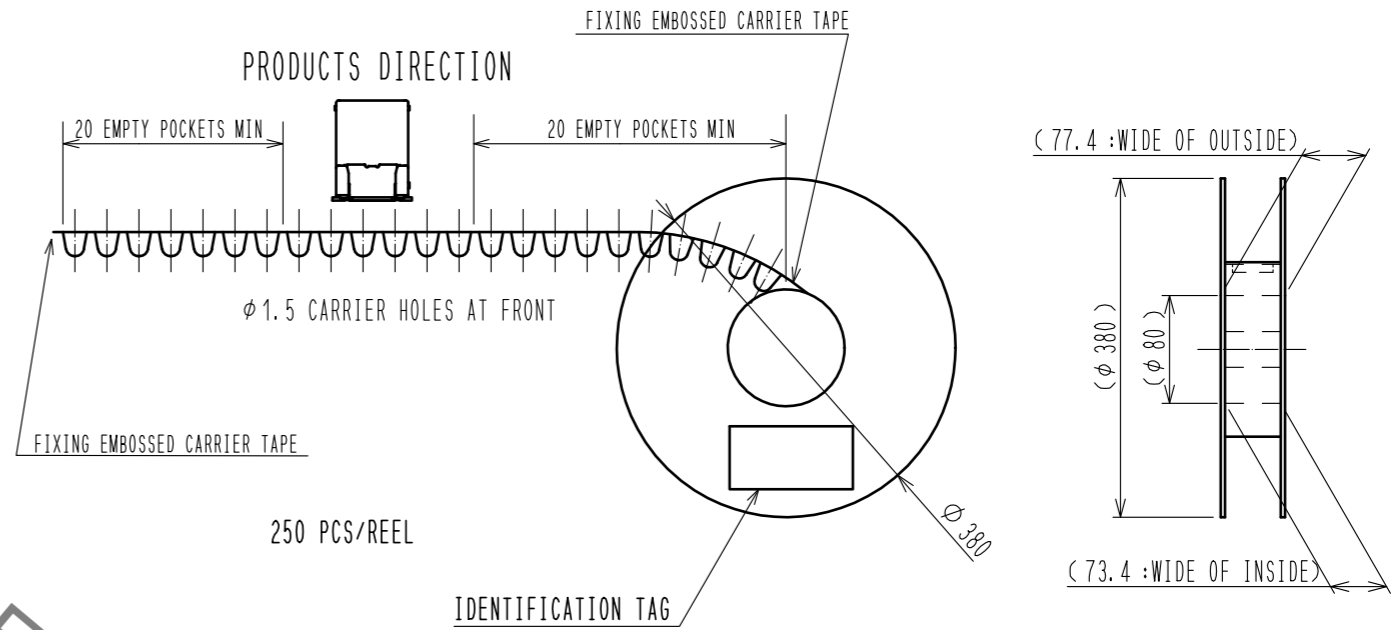
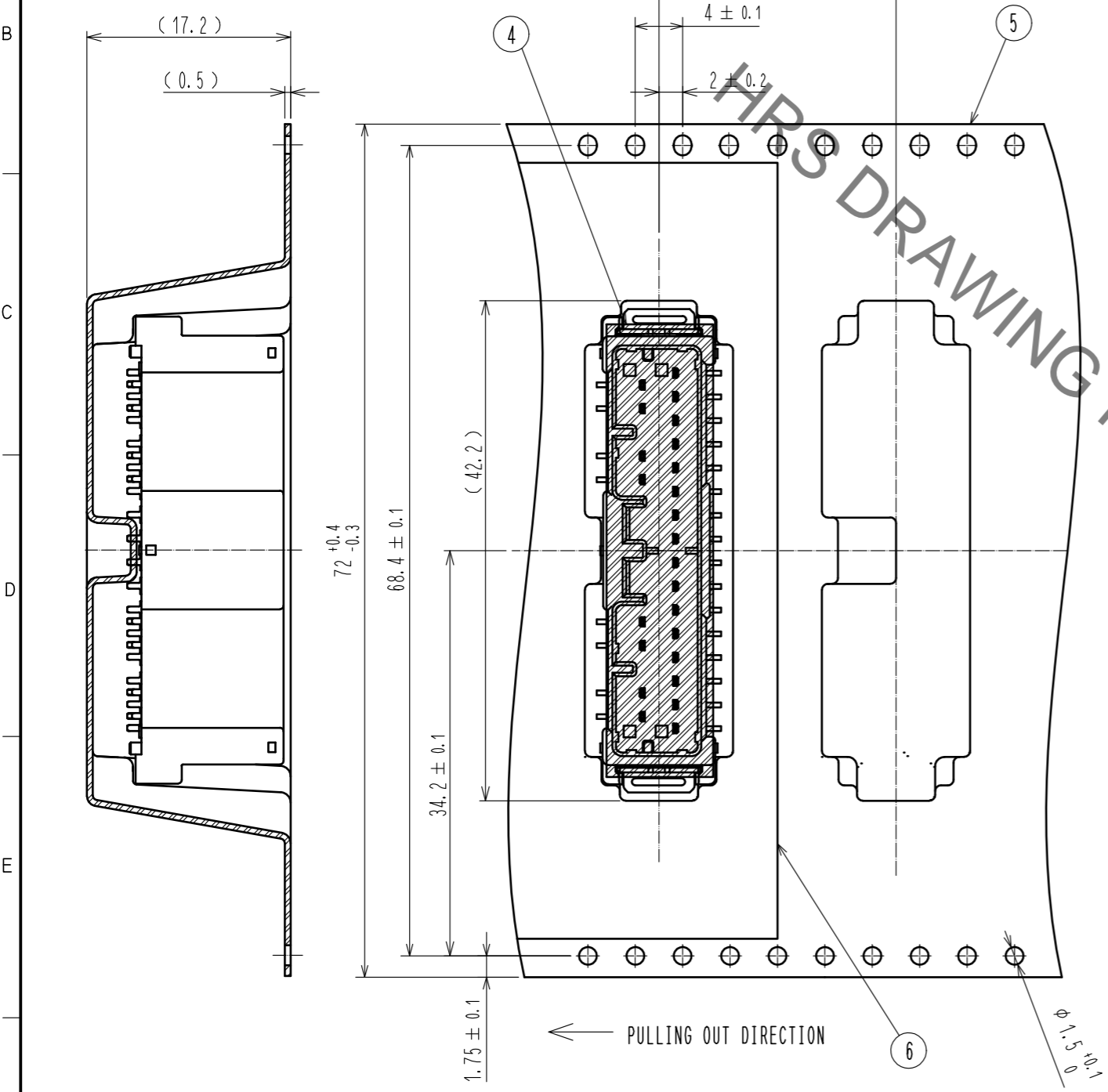
3	BRASS	SURFACE PLATING : TIN PLATING 1μm min UNDER PLATING : NICKEL 1μm min			
2	BRASS	SURFACE PLATING : TIN PLATING 1μm min UNDER PLATING : NICKEL 1μm min	6	POLYESTER	
1	PA	BLACK UL94V-0	5	POLYSTYRENE	
			4	POLYIMIDE	PICK & PLACE TAPE
NO.	MATERIAL	FINISH . REMARKS	NO.	MATERIAL	FINISH . REMARKS
UNITS mm	SCALE 2 : 1		COUNT 1	DESCRIPTION OF REVISIONS DIS-T-00006332	
APPROVED : HK. UMEHARA			20190517	DESIGNED YH. MAMADA	
CHECKED : OM. MIYAMOTO			20190517	CHECKED HH. TSUKUMO	
DESIGNED : TY. ISHIGURO			20190517	DATE 20200703	
DRAWN : GYEONGMIN LEE			20190515	DRAWING NO. EDC-379835-00-00	
HRS HIROSE ELECTRIC CO., LTD.			PART NO. ZE05H-24DP-2V		
			CODE NO. CL752-2316-0-00		

Sep.1.2021 Copyright 2021 HIROSE ELECTRIC CO., LTD. All Rights Reserved.
 In case of consideration for using Automotive equipment / device which demand high reliability, kindly contact our sales window correspondents.

PACKING STYLE

REEL DIMENSION

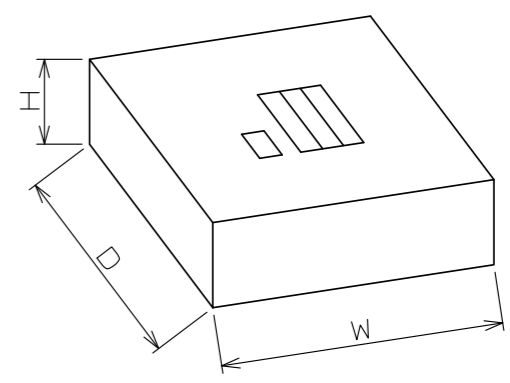
PACKING STYLE DRAWING



250 PCS/REEL

CARDBOARD DIMENSION (FREE)

W=(405) (mm)
 D=(405) (mm)
 H=(80) (mm)



HRS	DRAWING NO.	EDC-379835-00-00	2/2
	PART NO.	ZE05H-24DP-2V	
	CODE NO.	CL752-2316-0-00	