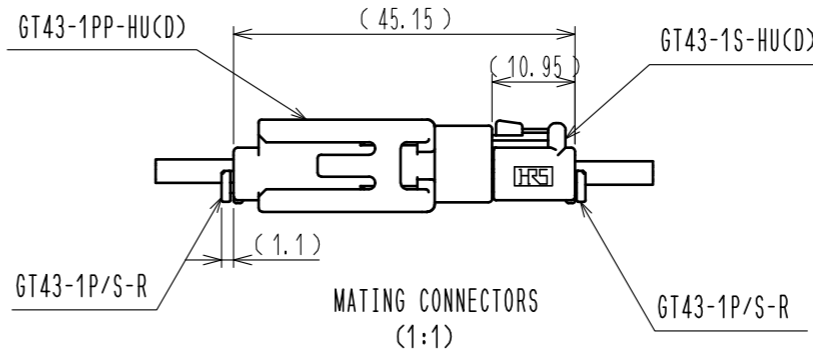
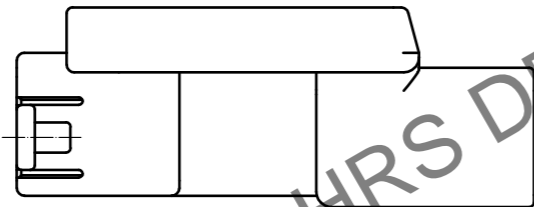
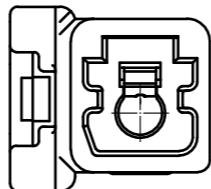
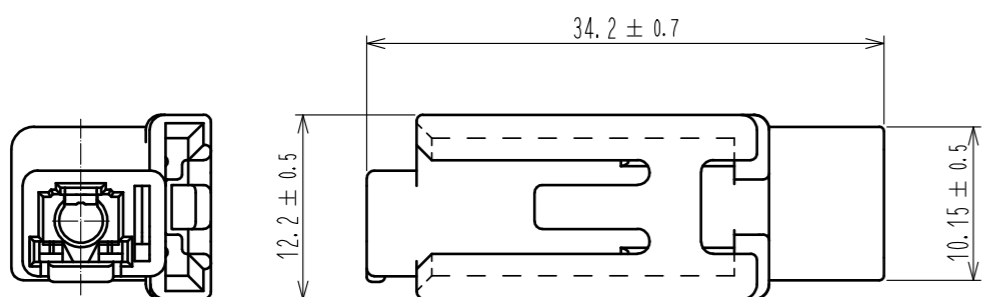
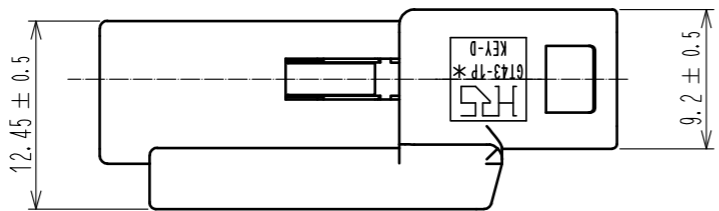
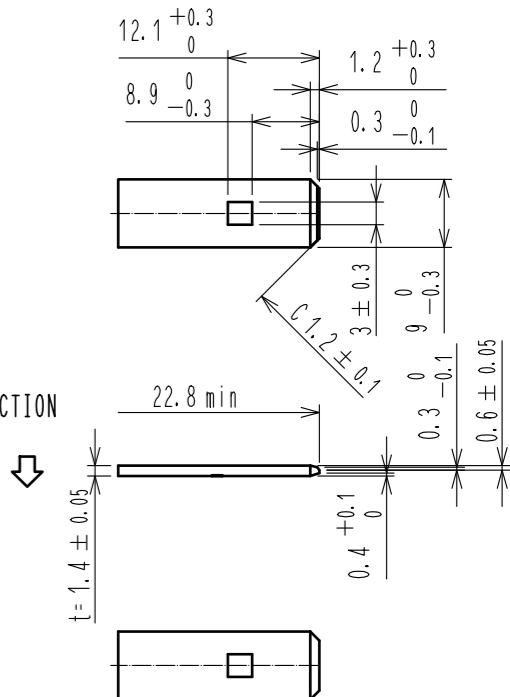


Apr.1.2025 Copyright 2025 HIROSE ELECTRIC CO., LTD. All Rights Reserved.
 In case of consideration for using Automotive equipment / device which demand high reliability, kindly contact our sales window correspondents.

ELV. RoHS COMPLIANT



MOLD PEELING DIRECTION



RECOMMENDED DIMENSION FOR METAL PEG (1:1)

1	PBT	BLACK						
NO.	MATERIAL	FINISH .	REMARKS	NO.	MATERIAL	FINISH .	REMARKS	
UNITS		SCALE	COUNT	DESCRIPTION OF REVISIONS		DESIGNED	CHECKED	DATE
mm		2 : 1	△					
HIROSE ELECTRIC CO., LTD.		APPROVED	: KI. HIROKAWA	18.03.07	DRAWING NO. EDC-376888-00-00			
		CHECKED	: KI. HIROKAWA	18.03.07	PART NO. GT43-1PP-HU(D)			
		DESIGNED	: KT. OKABE	18.03.07	CODE NO. CL753-1006-0-00			
		DRAWN	: GYEONGMIN LEE	18.03.07	1/1			