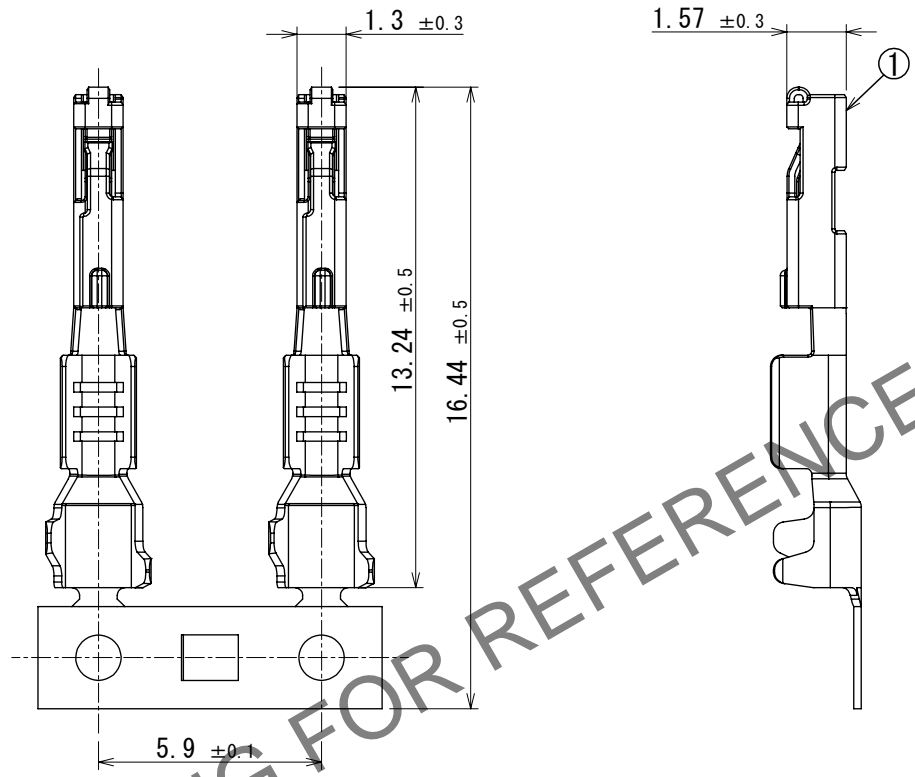
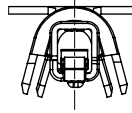
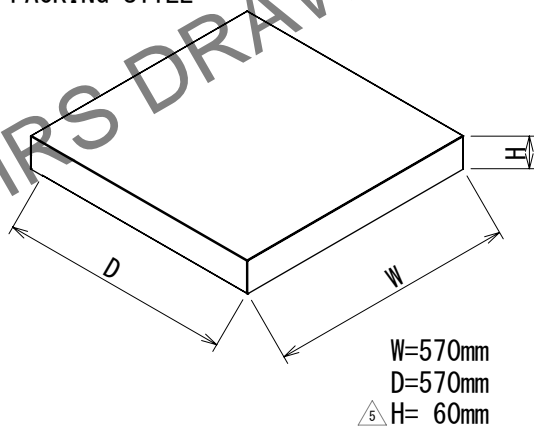


Jun.1.2024 Copyright 2024 HIROSE ELECTRIC CO., LTD. All Rights Reserved.
In case of consideration for using Automotive equipment / device which demand high reliability, kindly contact our sales window correspondents.

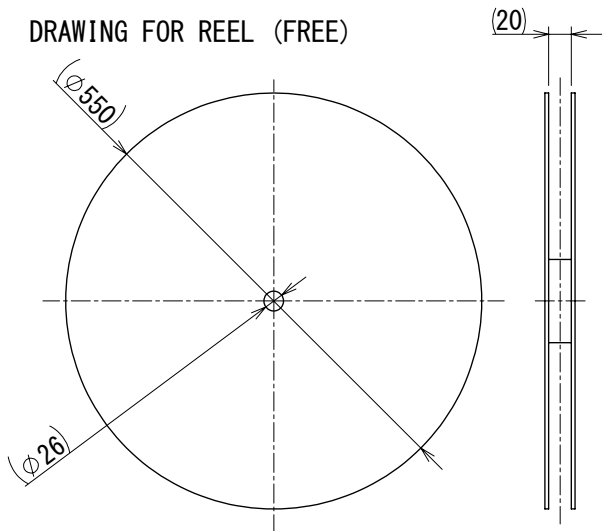
ELV, RoHS COMPLIANT



PACKING STYLE



DRAWING FOR REEL (FREE)



NOTE 1. 13,000 PCS PER REEL.

2. REGARDING HOW TO HANDLE THE PACKAGED PRODUCTS, PLEASE REFER TO THE ATAD-T0946-00 「INSTRUCTION MANUAL FOR HANDLING OF REEL PACKAGING CONTAINING CRIMP TERMINALS」.

3. PLEASE REFER TO INSTRUCTION SHEET ETAD-T0644-00 AND ETAD-T0667-00 BEFORE USE.

1	COPPER ALLOY	SURFACE : TIN PLATING 1μm min UNDER PLATING : COPPER PLATING 0.3μm min						
NO.	MATERIAL	FINISH	REMARKS	NO.	MATERIAL	FINISH	REMARKS	
F	UNITS mm		SCALE 5:1	COUNT 2	DESCRIPTION OF REVISIONS DIS-T-00018293	DESIGNED AS. SHIBAHARA	CHECKED TY. MOGI	DATE 2023.06.03
HIROSE ELECTRIC CO., LTD.		APPROVED : AH. EDASHIGE	2018.06.26	DRAWING NO. EDC-372039-00-00				
		CHECKED : AH. EDASHIGE	2018.06.26	PART NO. ZE064-2022SCF				
		DESIGNED : HH. TSUKUMO	2018.06.26	CODE NO. CL0753-2001-0-00				
		DRAWN : HH. TSUKUMO	2018.06.26	1/1				