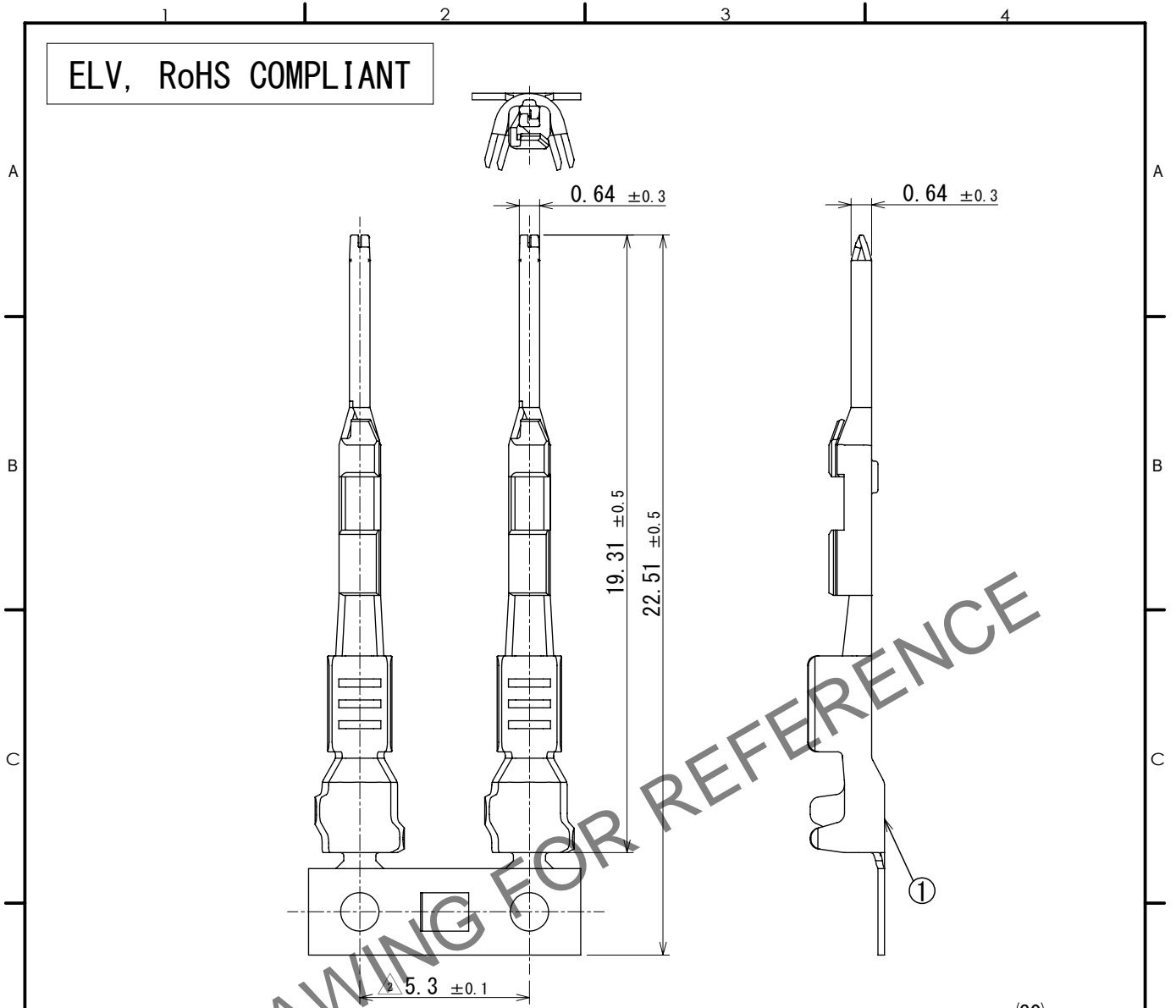
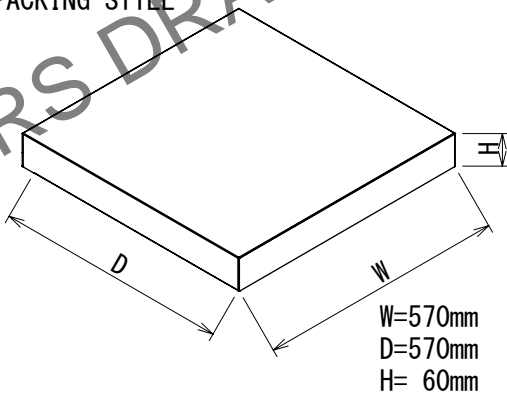


Jun.1.2024 Copyright 2024 HIROSE ELECTRIC CO., LTD. All Rights Reserved.  
In case of consideration for using Automotive equipment / device which demand high reliability, kindly contact our sales window correspondents.

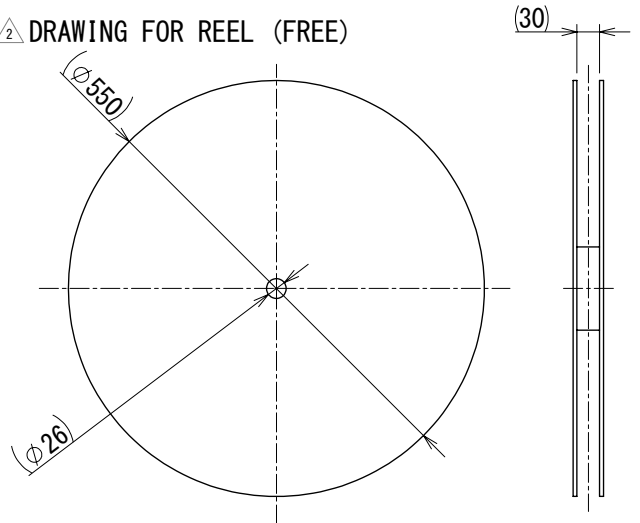
ELV, RoHS COMPLIANT



△ PACKING STYLE



△ DRAWING FOR REEL (FREE)



NOTE 1. 15,000 PCS PER REEL.

2. REGARDING HOW TO HANDLE THE PACKAGED PRODUCTS, PLEASE REFER TO THE ATAD-T0946-00 「INSTRUCTION MANUAL FOR HANDLING OF REEL PACKAGING CONTAINING CRIMP TERMINALS」.

△ 3. PLEASE REFER TO INSTRUCTION SHEET ETAD-T0668-00 AND ETAD-T0670-00 BEFORE USE.

1	COPPER ALLOY	SURFACE : TIN PLATING 1μm min UNDER PLATING : COPPER PLATING 0.3μm min						
NO.	MATERIAL	FINISH	REMARKS	NO.	MATERIAL	FINISH	REMARKS	
F	UNITS mm		SCALE 5:1	COUNT 4	DESCRIPTION OF REVISIONS DIS-T-00018293	DESIGNED AS. SHIBAHARA	CHECKED TY. MOGI	DATE 2023.06.03
HIROSE ELECTRIC CO., LTD.		APPROVED : AH. EDASHIGE	2018.06.26	DRAWING NO.		EDC-372040-00-00		
		CHECKED : AH. EDASHIGE	2018.06.26	PART NO.		ZE064-2022PCF		
		DESIGNED : HH. TSUKUMO	2018.06.26	CODE NO.		CL0753-2002-0-00		
		DRAWN : HH. TSUKUMO	2018.06.26					