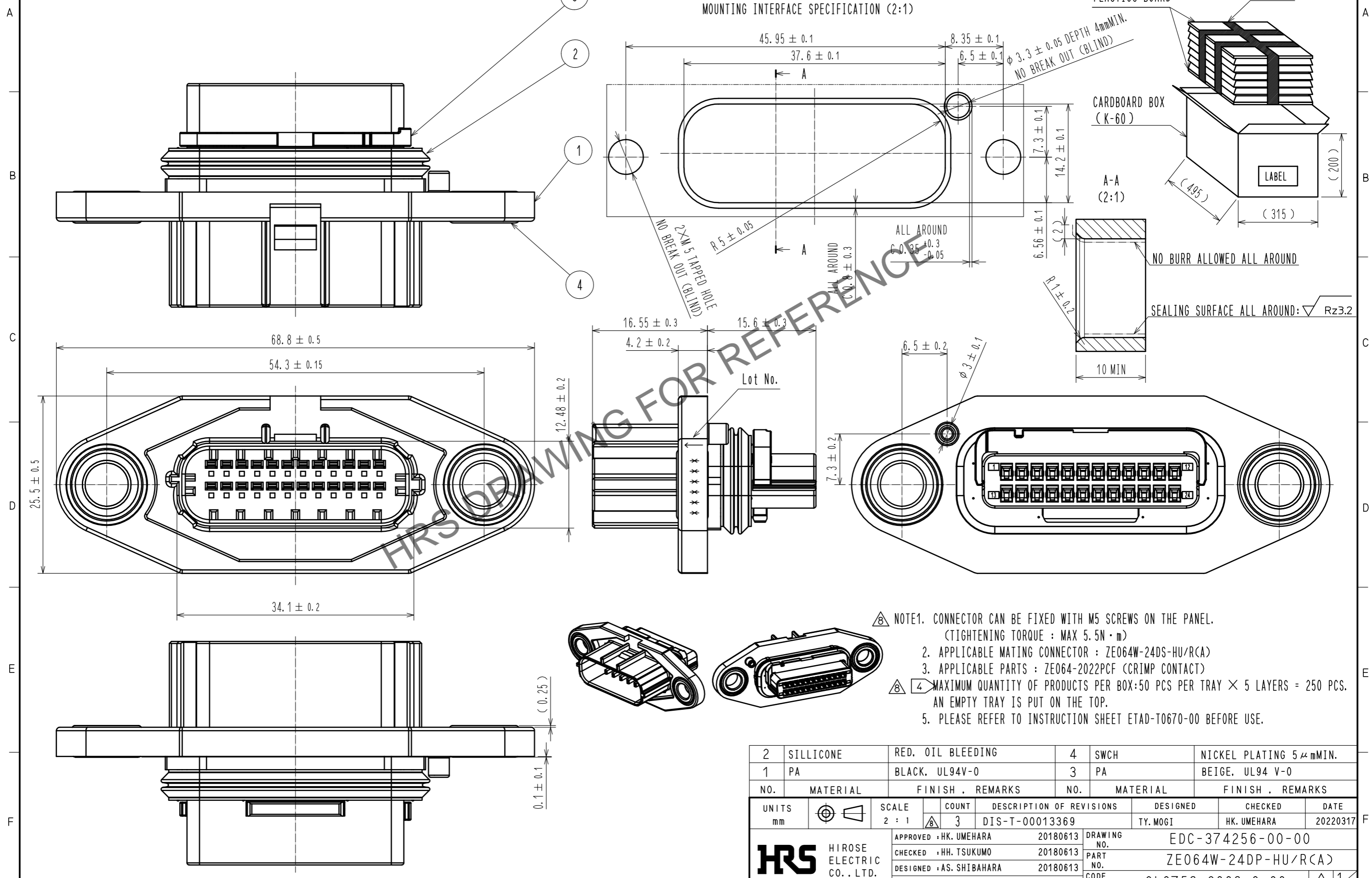


Feb.1.2025 Copyright 2025 HIROSE ELECTRIC CO., LTD. All Rights Reserved.  
 In case of consideration for using Automotive equipment / device which demand high reliability, kindly contact our sales window correspondents.

ELV. RoHS COMPLIANT

PACKING STYLE

MOUNTING INTERFACE SPECIFICATION (2:1)



- NOTE1. CONNECTOR CAN BE FIXED WITH M5 SCREWS ON THE PANEL.  
(TIGHTENING TORQUE : MAX 5.5N · m)
- 2. APPLICABLE MATING CONNECTOR : ZE064W-24DS-HU/R(A)
- 3. APPLICABLE PARTS : ZE064-2022PCF (CRIMP CONTACT)
- 4. MAXIMUM QUANTITY OF PRODUCTS PER BOX:50 PCS PER TRAY × 5 LAYERS = 250 PCS.  
AN EMPTY TRAY IS PUT ON THE TOP.
- 5. PLEASE REFER TO INSTRUCTION SHEET ETAD-T0670-00 BEFORE USE.

|                                      |          |                                   |                              |  |                         |                        |                  |
|--------------------------------------|----------|-----------------------------------|------------------------------|--|-------------------------|------------------------|------------------|
| 2                                    | SILICONE | RED. OIL BLEEDING                 | 4                            | SWCH                                       | NICKEL PLATING 5 μmMIN. |                        |                  |
| 1                                    | PA       | BLACK. UL94V-0                    | 3                            | PA   | BEIGE. UL94 V-0         |                        |                  |
| NO.                                  | MATERIAL | FINISH . REMARKS                  | NO.                          | MATERIAL                                   | FINISH . REMARKS        |                        |                  |
| UNITS<br>mm                          |          | SCALE<br>2 : 1                    | COUNT<br>3                   | DESCRIPTION OF REVISIONS<br>DIS-T-00013369 | DESIGNED<br>TY. MOGI    | CHECKED<br>HK. UMEHARA | DATE<br>20220317 |
| <b>HRS</b> HIROSE ELECTRIC CO., LTD. |          | APPROVED : HK. UMEHARA 20180613   | DRAWING NO. EDC-374256-00-00 |  |                         |                        |                  |
|                                      |          | CHECKED : HH. TSUKUMO 20180613    | PART NO. ZE064W-24DP-HU/R(A) |  |                         |                        |                  |
|                                      |          | DESIGNED : AS. SHIBAHARA 20180613 | CODE NO. CL0753-2003-0-00    |  |                         |                        |                  |
|                                      |          | DRAWN : GYEONGMIN LEE 20180613    |                              |  |                         |                        |                  |

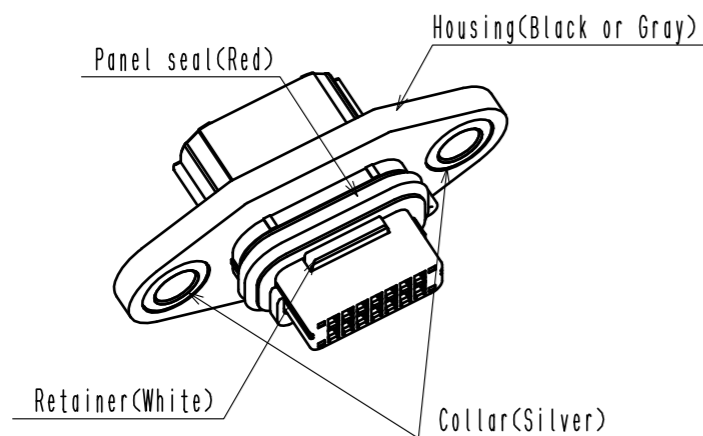
Feb.1.2025 Copyright 2025 HIROSE ELECTRIC CO., LTD. All Rights Reserved.  
In case of consideration for using Automotive equipment / device which demand high reliability, kindly contact our sales window correspondents.

## ⚠ PRECAUTIONS

THIS CONNECTOR HAS A STRUCTURE IN WHICH THE PANEL SEAL, WHICH IS A PART FOR MAINTAINING THE WATERPROOFNESS, IS EXPOSED OUTSIDE. IF NOT USED CORRECTLY, THE PANEL SEAL MAY NOT FUNCTION PROPERLY AND THE WATERPROOF PROPERTY MAY BE IMPAIRED. SO THE INSTRUCTION SHEET ETAD-T0670-00 NEED TO BE FOLLOWED.

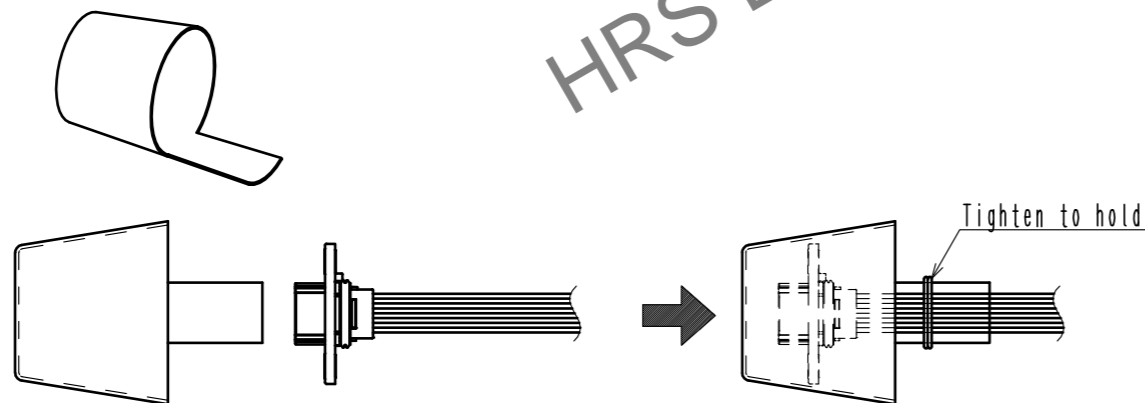
THE FOLLOWING IS AN EXCERPT OF NOTES REGARDING PANEL SEAL.

- Please hold connectors except panel seal part.  
And also be careful that the oil of the panel seal not to be touched with other objects except connector housing and retainer.

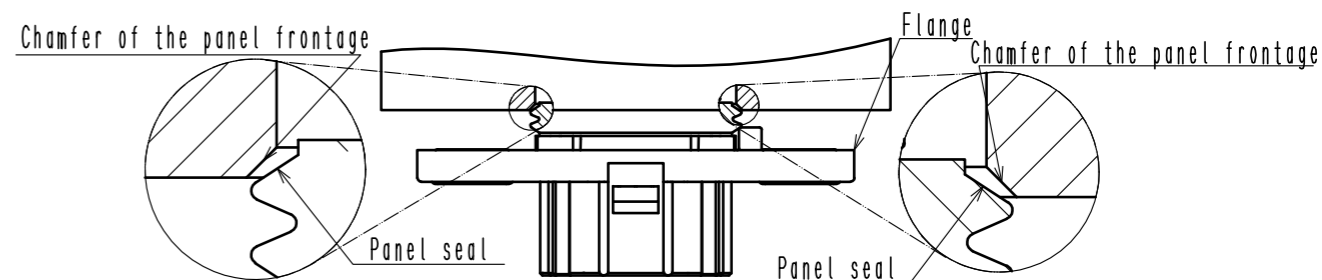


- Please protect the panel seal not to be touched with other objects after insert the terminals and set the retainer. The protector is required not to be deformed excessively during packaging, shipping and being stored.

e. x.) Cover the hole part of connector with plastic cup and tighten the cables to hold.



- Lightly press the panel seal against the chamfer of the panel frontage to position the connector.



While in this position, press on the male connector housing or collar and push the male connector straight into the enclosure opening. Push straight in until the male connector flange touches the panel.

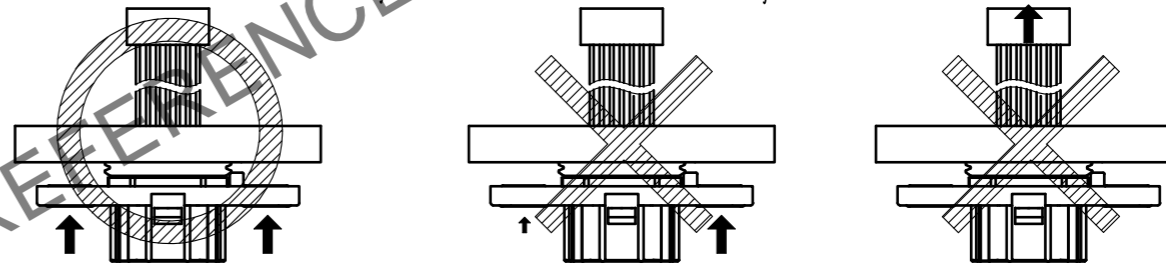
- ※ Pushing the male connector diagonally or pulling the harness side into the enclosure opening may cause excessive load on the male connector, which may result in damage.

OK :

Press both sides of the collar evenly

NG① : Press the collar unevenly.

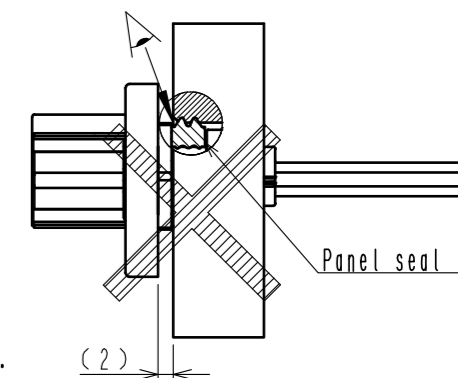
NG② : Pull on the end of the harness.



- Make sure that the connector does not rise excessively above the surface of the panel when you take your hand off the connector. If it floats up excessively, something may have gone wrong. In that case, pull the connector out of the panel and start the process all over again.

Approximate amount of lift :

2 mm or less, or no panel seal is visible through the gap.



- ※ Do not reattach the connector to the panel more than once, and only do so consecutively to the same panel. Before reattaching the harness, check the appearance of the panel seal, and if it is damaged or deformed, use a new harness. Also, reattaching the connector more than once or reattaching it to a different panel may cause excessive load on the panel seal, so please use a new harness in such cases.

**HRS**

|             |                     |
|-------------|---------------------|
| DRAWING NO. | EDC-374256-00-00    |
| PART NO.    | ZE064W-24DP-HU/R(A) |
| CODE NO.    | CL0753-2003-0-00    |

⚠ 2/2