

Jun.1.2024 Copyright 2024 HIROSE ELECTRIC CO., LTD. All Rights Reserved.
In case of consideration for using Automotive equipment / device which demand high reliability, kindly contact our sales window correspondents.

ELV, RoHS COMPLIANT

DELETE PAGES 2-5

PACKING STYLE

PLASTICS BOARD

PP BAND

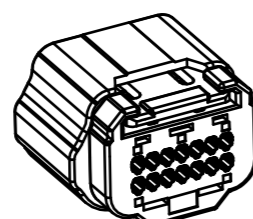
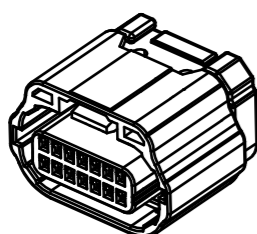
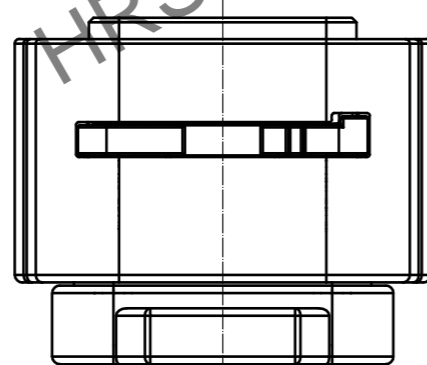
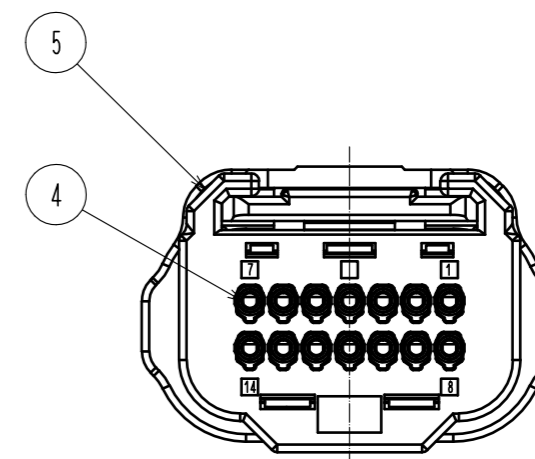
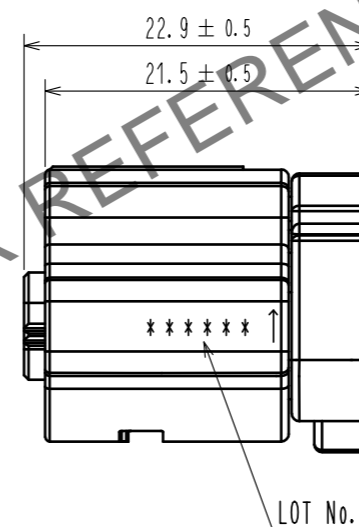
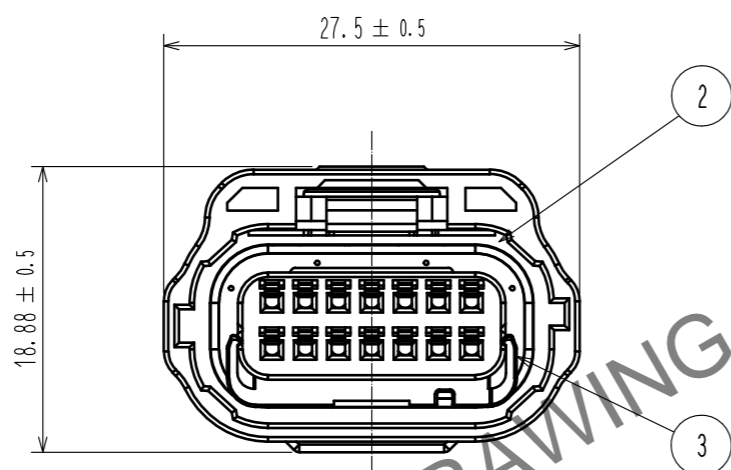
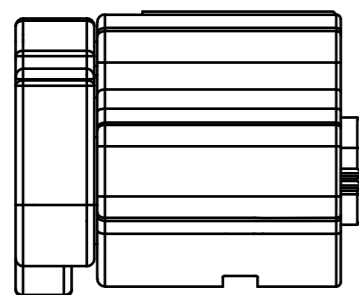
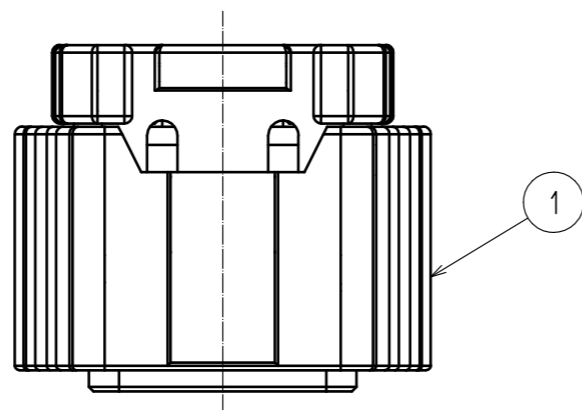
CARDBOARD BOX
(K-60)

LABEL

(495)

(315)

(200)



NOTE1. APPLICABLE MATING CONNECTOR : ZE064W-14DP-HU/R(A)

2. THE APPLICABLE PARTS ARE AS FOLLOWS.

CRIMP CONTACT : ZE064-2022SCF

WATERPROOF CAP : ZE064W-WCP(2022)

3. MAXIMUM NUMBER OF PRODUCT PER BOX: 96 PCS PER TRAY × 5 LAYERS = 480 PCS.

PUT AN EMPTY TRAY ON THE TOP ROW.

4. BEFORE USE, BE SURE TO REFER TO THE INSTRUCTION MANUAL ETAD-T0644-00.

NO.	MATERIAL	FINISH . REMARKS	NO.	MATERIAL	FINISH . REMARKS
3	PA	BEIGE, UL94 V-0			
2	SILICONE	RED, OIL BLEEDING	5	PBT	GRAY, UL94 V-0
1	PA	BLACK, UL94 V-0	4	SILICONE	RED, OIL BLEEDING

UNITS	SCALE	COUNT	DESCRIPTION OF REVISIONS	DESIGNED	CHECKED	DATE
mm	2 : 1	2	DIS-T-00016743	TY. MOGI	AH. EDASHIGE	20230124

APPROVED	: HK. UMEHARA	20190108	DRAWING NO.	EDC-378450-00-00
CHECKED	: HK. UMEHARA	20190108	PART NO.	ZE064W-14DS-HU/R(A)
DESIGNED	: HH. TSUKUMO	20190108	CODE NO.	CL0753-2010-0-00
DRAWN	: GYEONGMIN LEE	20190108		