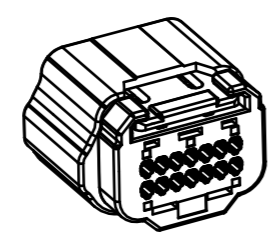
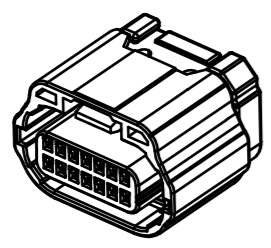
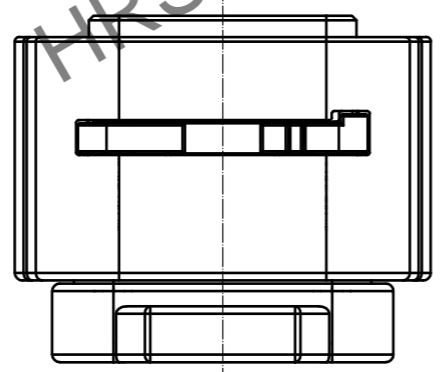
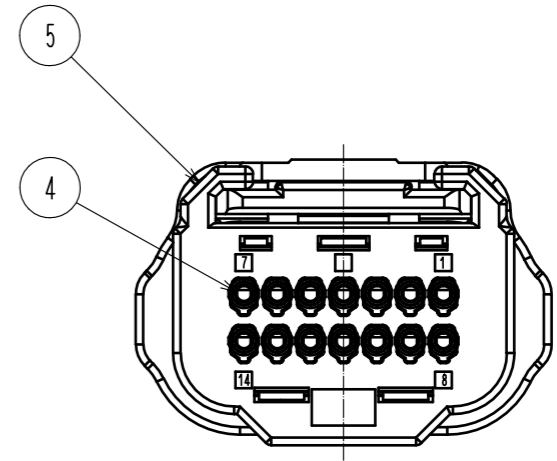
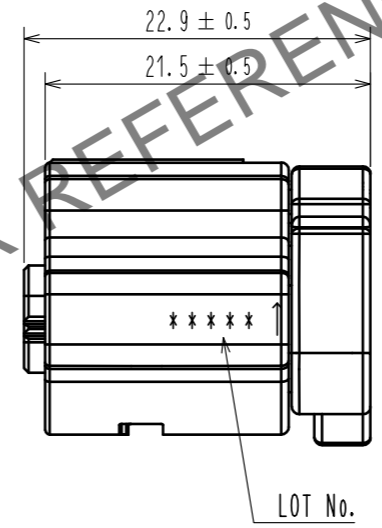
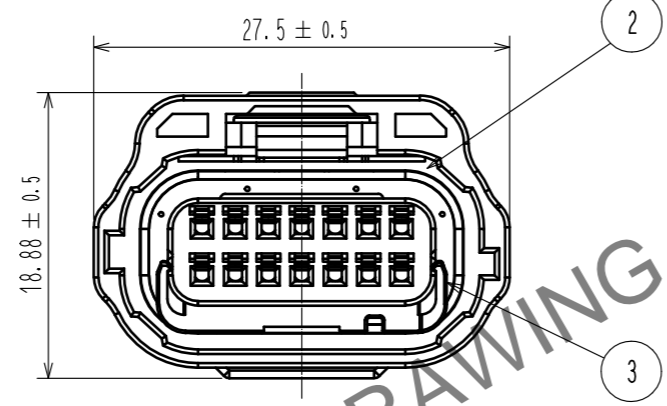
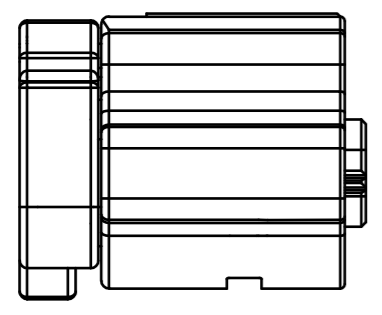
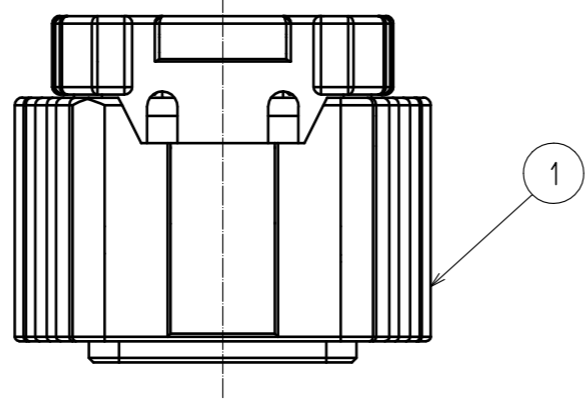
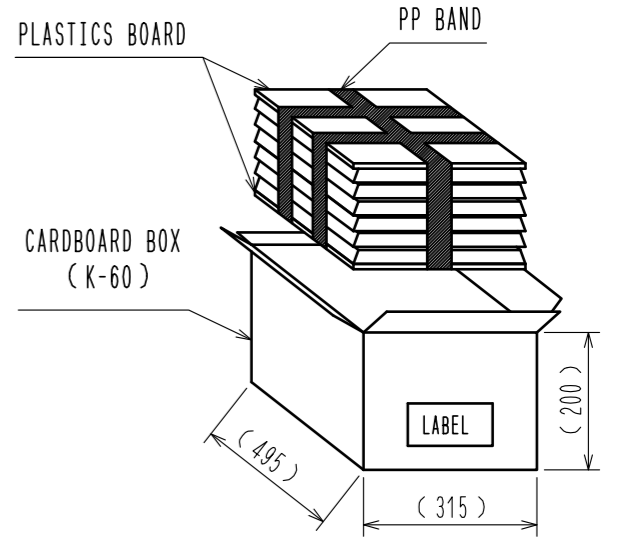


Feb.1.2025 Copyright 2025 HIROSE ELECTRIC CO., LTD. All Rights Reserved.
In case of consideration for using Automotive equipment / device which demand high reliability, kindly contact our sales window correspondents.

ELV, RoHS COMPLIANT DELETE PAGES 2-5

PACKING STYLE



- NOTE1. APPLICABLE MATING CONNECTOR : ZE064W-14DP-HU/R(B)
 2. THE APPLICABLE PARTS ARE AS FOLLOWS.
 CRIMP CONTACT : ZE064-2022SCF
 WATERPROOF CAP : ZE064W-WCP(2022)
 MAXIMUM NUMBER OF PRODUCT PER BOX: 96 PCS PER TRAY × 5 LAYERS = 480 PCS.
 PUT AN EMPTY TRAY ON THE TOP ROW.
 4. BEFORE USE, BE SURE TO REFER TO THE INSTRUCTION MANUAL ETAD-T0644-00.

NO.	MATERIAL	FINISH . REMARKS	NO.	MATERIAL	FINISH . REMARKS
3	PA	BEIGE, UL94 V-0	5	PBT	GRAY, UL94 V-0
2	SILICONE	RED, OIL BLEEDING	4	SILICONE	RED, OIL BLEEDING
1	PA	GRAY, UL94 V-0			

UNITS mm		SCALE 2 : 1	COUNT 4	DESCRIPTION OF REVISIONS DIS-T-00016744	DESIGNED TY. MOGI	CHECKED AH. EDASHIGE	DATE 20230124
HRS HIROSE ELECTRIC CO., LTD.		APPROVED : HK. UMEHARA	20190108	DRAWING NO.	EDC-378451-00-00		
		CHECKED : HK. UMEHARA	20190108	PART NO.	ZE064W-14DS-HU/R(B)		
		DESIGNED : HH. TSUKUMO	20190108	CODE NO.	CL0753-2011-0-00		
		DRAWN : GYEONGMIN LEE	20190108		1/1		