

Apr.1.2026 Copyright 2026 HIROSE ELECTRIC CO., LTD. All Rights Reserved.
 In case of consideration for using Automotive equipment / device which demand high reliability, kindly contact our sales window correspondents.

ELV, RoHS COMPLIANT

DELETE PAGES 2-5

PACKING STYLE

PLASTICS BOARD

PP BAND

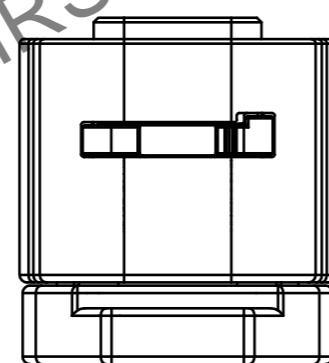
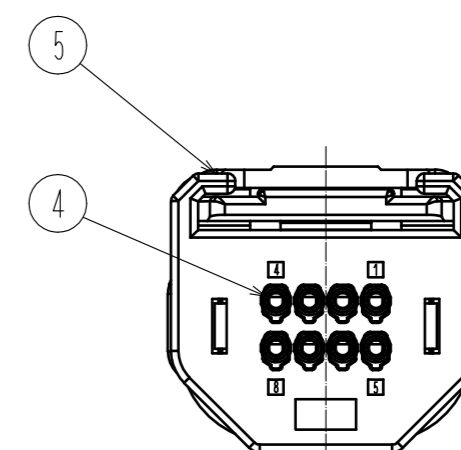
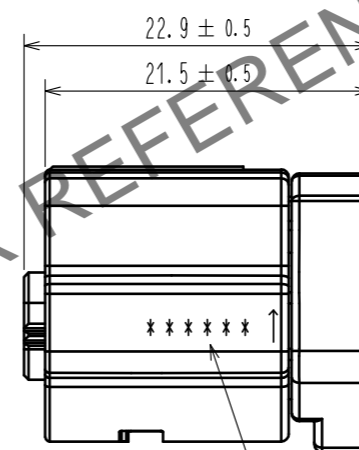
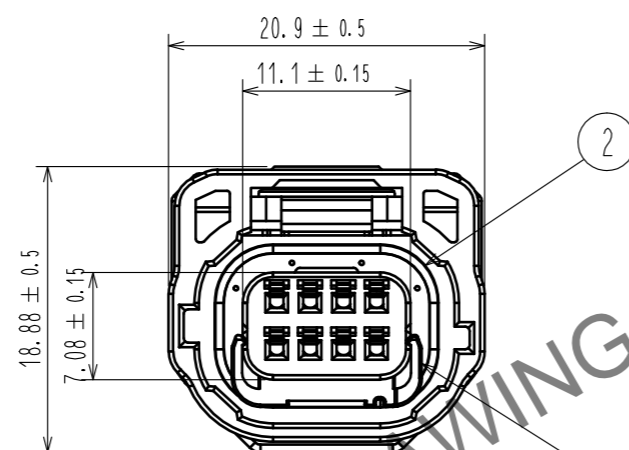
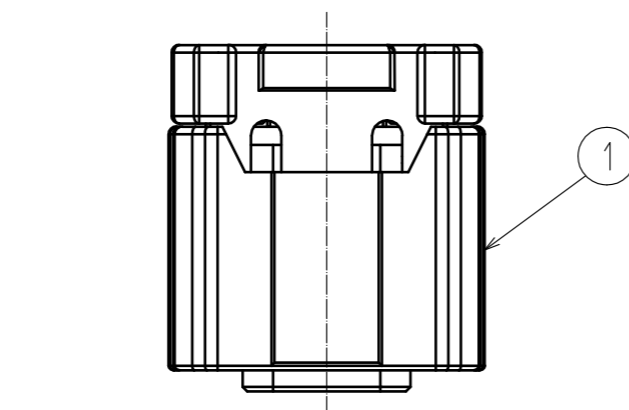
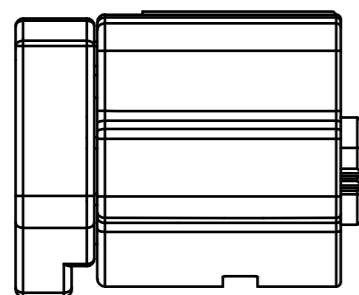
CARDBOARD BOX (K-60)

LABEL

(495)

(315)

(200)



LOT No.

NOTE1. APPLICABLE MATING CONNECTOR : ZE064W-8DP-HU/R(B)

2. THE APPLICABLE PARTS ARE AS FOLLOWS.

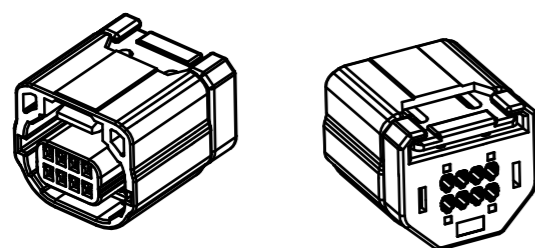
CRIMP CONTACT : ZE064-2022SCF

WATERPROOF CAP : ZE064W-WCP(2022)

3. MAXIMUM NUMBER OF PRODUCT PER BOX: 120 PCS PER TRAY × 5 LAYERS = 600 PCS.

PUT AN EMPTY TRAY ON THE TOP ROW.

4. BEFORE USE, BE SURE TO REFER TO THE INSTRUCTION MANUAL ETAD-T0644-00.



NO.	MATERIAL	FINISH . REMARKS	NO.	MATERIAL	FINISH . REMARKS
3	PA	BEIGE, UL94 V-0	5	PBT	GRAY, UL94 V-0
2	SILICONE	RED, OIL BLEEDING	4	SILICONE	RED, OIL BLEEDING
1	PA	GRAY, UL94 V-0			

UNITS	SCALE	COUNT	DESCRIPTION OF REVISIONS	DESIGNED	CHECKED	DATE
mm	2 : 1	4	DIS-T-00016744	TY.MOGI	AH.EDASHIGE	20230124

APPROVED	: HK. UMEHARA	20190216	DRAWING NO.	EDC-381038-00-00
CHECKED	: HK. UMEHARA	20190216	PART NO.	ZE064W-8DS-HU/R(B)
DESIGNED	: HH. TSUKUMO	20190216	CODE NO.	CL0753-2016-0-00
DRAWN	: DS. HIROWATARI	20190216		