

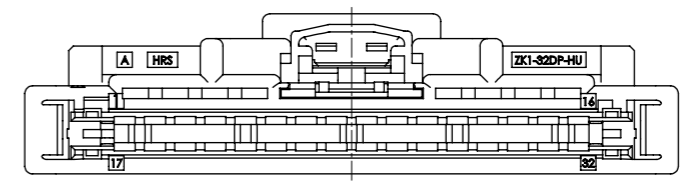
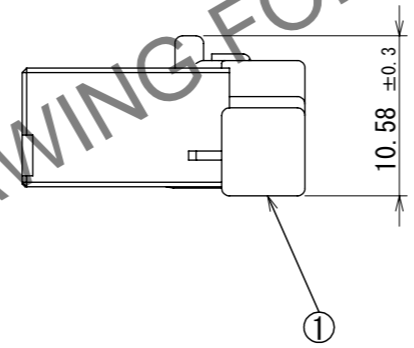
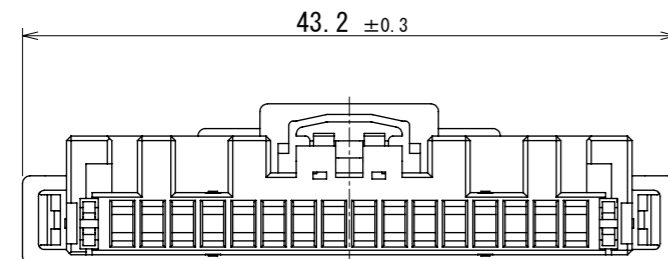
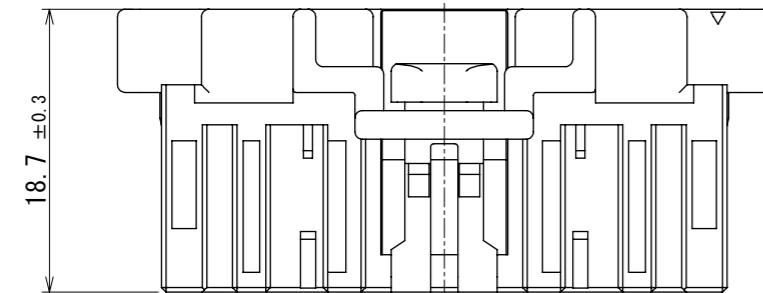
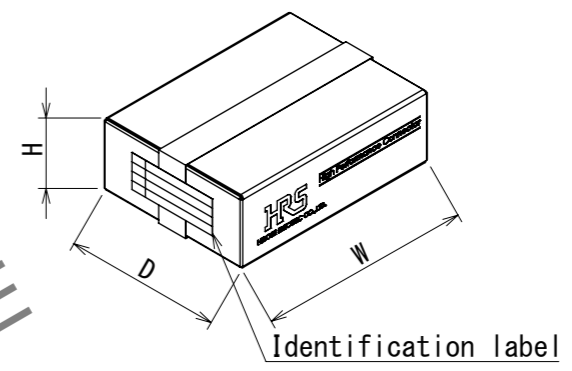
Oct.1.2024 Copyright 2024 HIROSE ELECTRIC CO., LTD. All Rights Reserved.
In case of consideration for using Automotive equipment / device which demand high reliability, kindly contact our sales window correspondents.

ELV, RoHS COMPLIANT

PACKAGING SPECIFICATION

- (1) 100pcs parts are contained in a plastic bag.
- (2) 5 plastic bags are contained in a carton. (total 500 pcs in one carton)
- (3) Close the box and seal with packing tape.

W= (349) mm
D= (258) mm
H= (118) mm

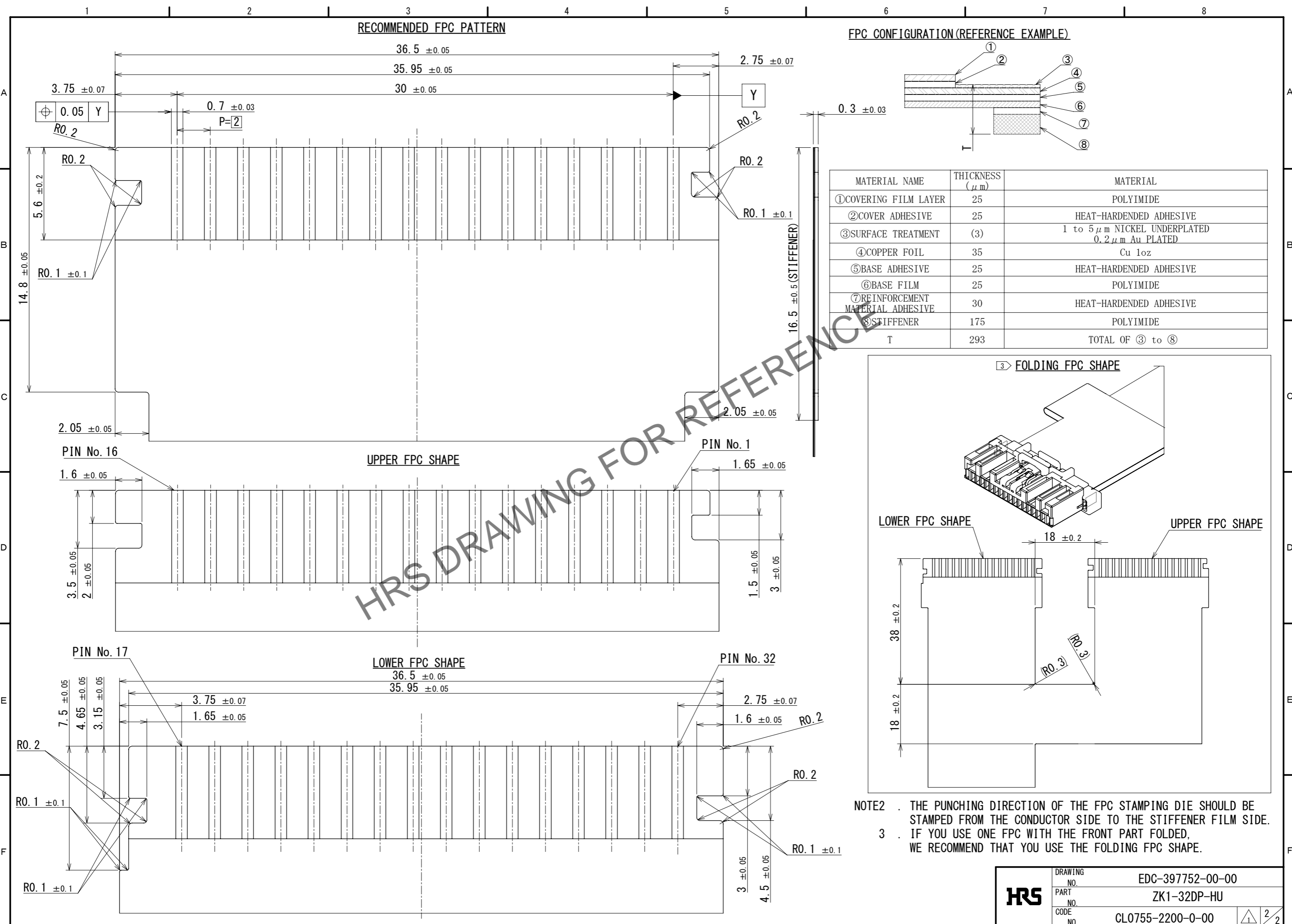


△ Correction of pin No.

NOTE1. RETAINER ZK1-32DP-R (CL755-2201-0-00) SHOULD BE USED.

1	PA	BLACK						
NO.	MATERIAL	FINISH	REMARKS	NO.	MATERIAL	FINISH	REMARKS	
UNITS		SCALE	COUNT	DESCRIPTION OF REVISIONS		DESIGNED	CHECKED	DATE
mm		2:1	1	DIS-T-00020122		AN. SAIKI	HH. TSUKUMO	2024. 02. 09
HRS HIROSE ELECTRIC CO., LTD.		APPROVED : AH. EDASHIGE	2023. 10. 23	DRAWING NO.		EDC-397752-00-00		
		CHECKED : HH. TSUKUMO	2023. 10. 23	PART NO.		ZK1-32DP-HU		
		DESIGNED : TS. SHIMIZU	2023. 10. 23	CODE NO.		CL0755-2200-0-00		
		DRAWN : MA. TAGUCHI	2023. 10. 23					

Oct.1.2024 Copyright 2024 HIROSE ELECTRIC CO., LTD. All Rights Reserved.
 In case of consideration for using Automotive equipment / device which demand high reliability, kindly contact our sales window correspondents.



NOTE2 . THE PUNCHING DIRECTION OF THE FPC STAMPING DIE SHOULD BE STAMPED FROM THE CONDUCTOR SIDE TO THE STIFFENER FILM SIDE.
 3 . IF YOU USE ONE FPC WITH THE FRONT PART FOLDED, WE RECOMMEND THAT YOU USE THE FOLDING FPC SHAPE.

HRS	DRAWING NO.	EDC-397752-00-00
	PART NO.	ZK1-32DP-HU
	CODE NO.	CL0755-2200-0-00
		2/2