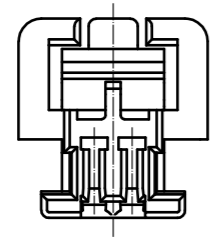
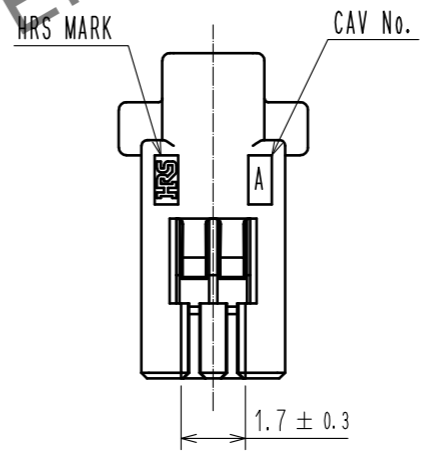
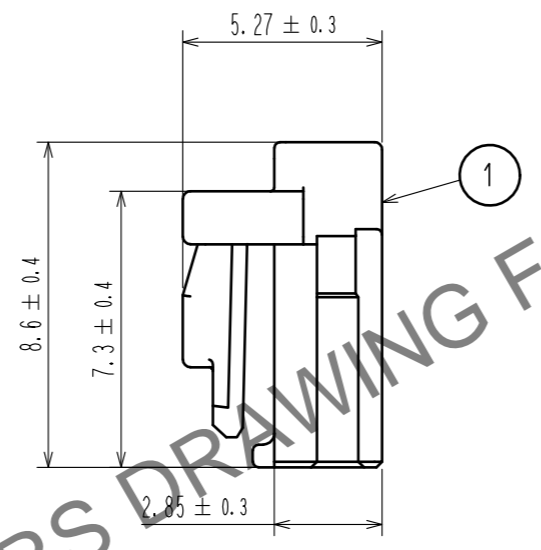
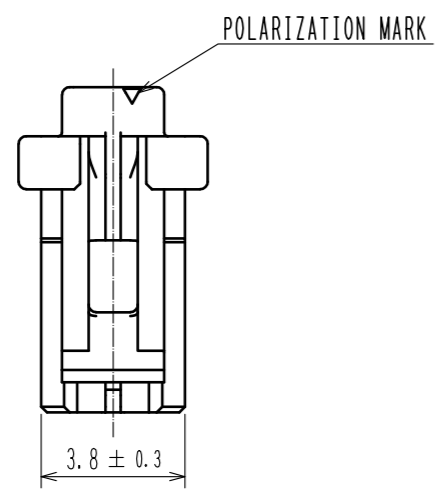
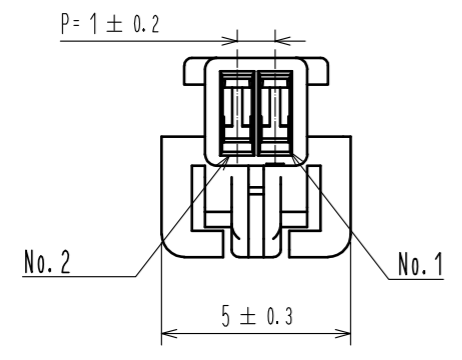


Dec.1.2024 Copyright 2024 HIROSE ELECTRIC CO., LTD. All Rights Reserved.
 In case of consideration for using Automotive equipment / device which demand high reliability, kindly contact our sales window correspondents.

ELV, RoHS COMPLIANT



HRS DRAWING FOR REFERENCE

NOTE1. PER PACK : 100 PIECES

NO.		MATERIAL		FINISH . REMARKS		1		PBT		UL94V-0. BLACK			
UNITS mm		SCALE 5 : 1		COUNT		DESCRIPTION OF REVISIONS		DESIGNED		CHECKED		DATE	
HIROSE ELECTRIC CO., LTD.		APPROVED : HK. UMEHARA		20200806		DRAWING NO.		EDC-392586-00-00					
		CHECKED : OM. MIYAMOTO		20200805		PART NO.		GT50-2S-1C					
		DESIGNED : YT. TAKANASHI		20200805		CODE NO.		CL760-1003-0-00					
		DRAWN : GY. YOON		20200805									