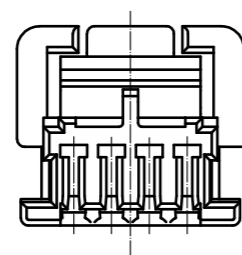
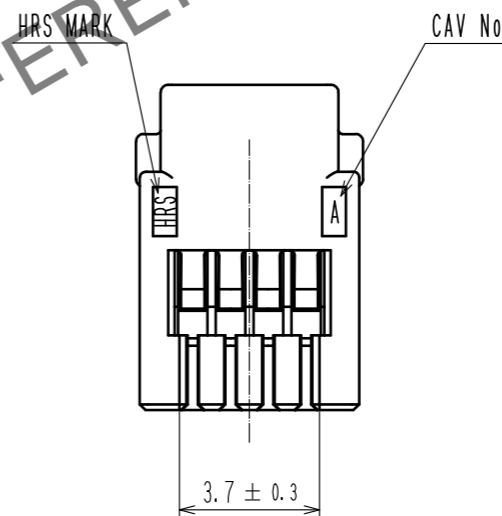
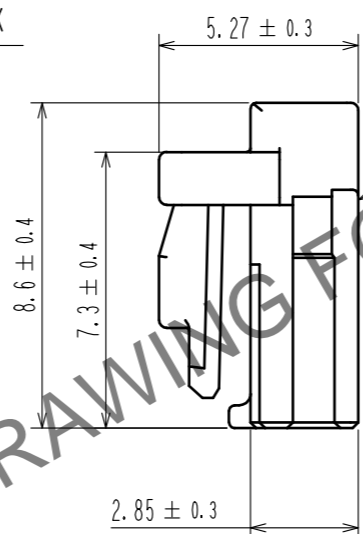
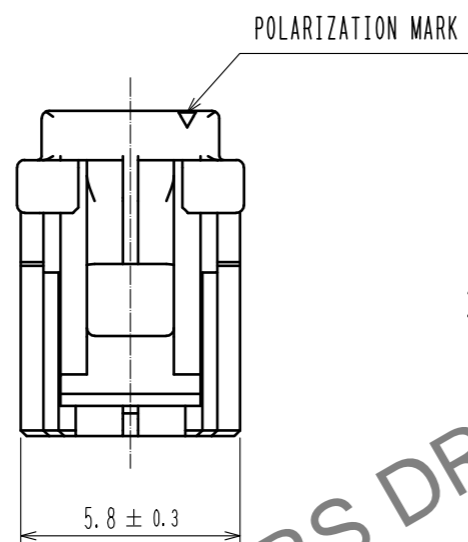
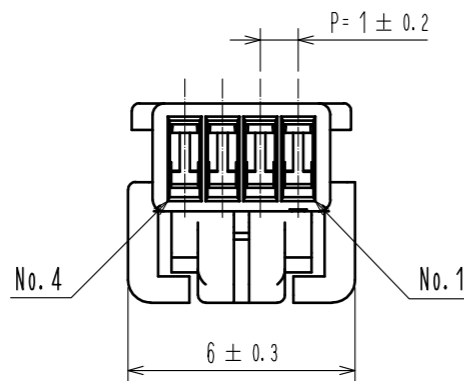


Dec.1.2024 Copyright 2024 HIROSE ELECTRIC CO., LTD. All Rights Reserved.
 In case of consideration for using Automotive equipment / device which demand high reliability, kindly contact our sales window correspondents.

ELV, RoHS COMPLIANT



HRS DRAWING FOR REFERENCE

NOTE 1. PER PACK : 100 PIECES

NO.	MATERIAL	FINISH . REMARKS	NO.	MATERIAL	FINISH . REMARKS		
			1	PBT	UL94V-0. BLACK		
UNITS	SYMBOL	SCALE	COUNT	DESCRIPTION OF REVISIONS	DESIGNED	CHECKED	DATE
mm		5 : 1					
HRS HIROSE ELECTRIC CO., LTD.		APPROVED : HK. UMEHARA	20210624	DRAWING NO. EDC-392588-00-00			
		CHECKED : OM. MIYAMOTO	20210624	PART NO. GT50-4S-1C			
		DESIGNED : YT. TAKANASHI	20210624	CODE NO. CL0760-1005-0-00			
		DRAWN : YT. TAKANASHI	20210624			1/1	