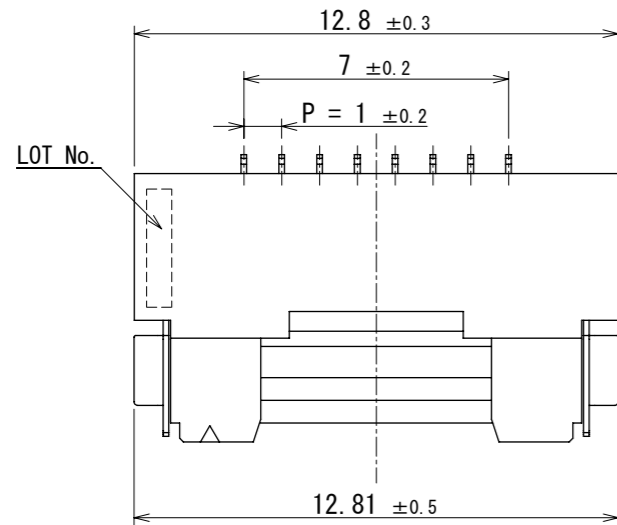
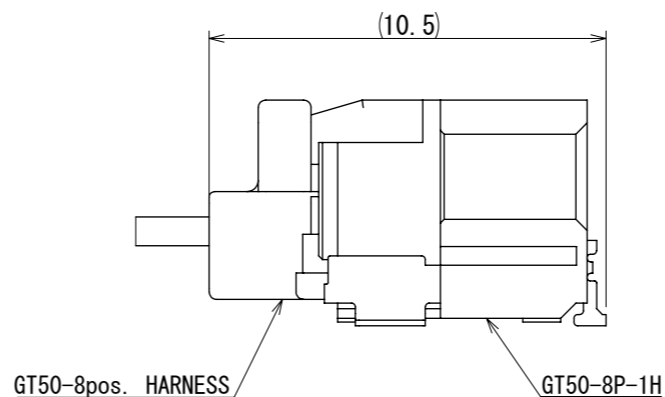


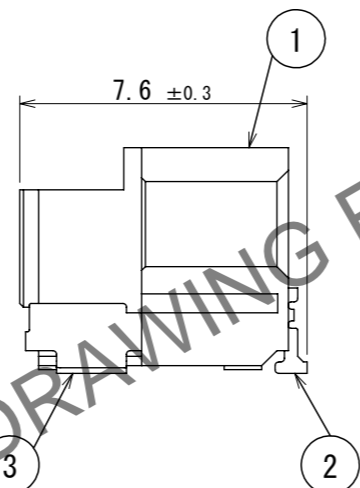
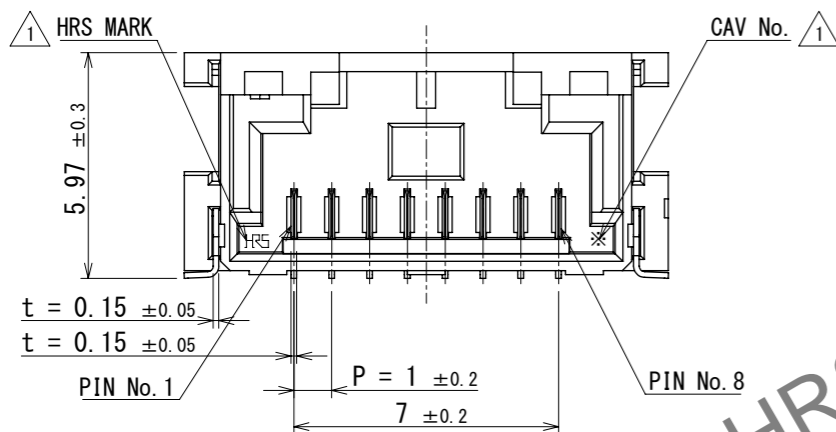
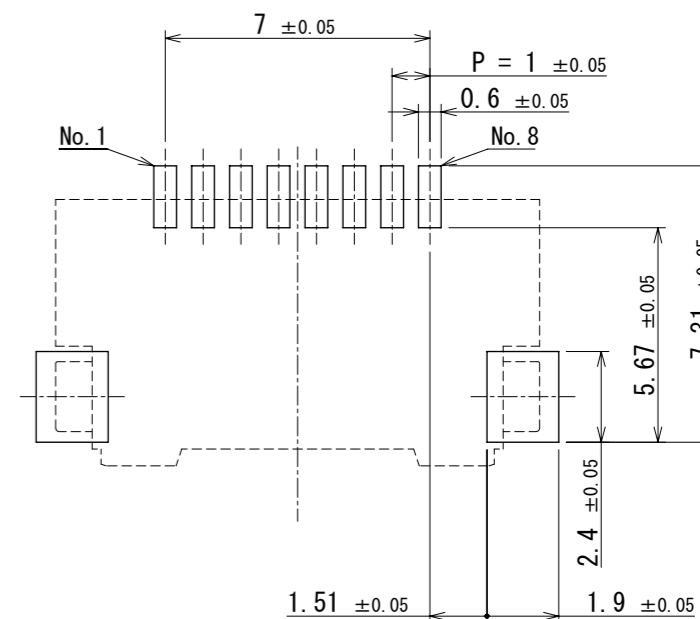
ELV. RoHS COMPLIANT



MATED CONNECTORS (FREE)

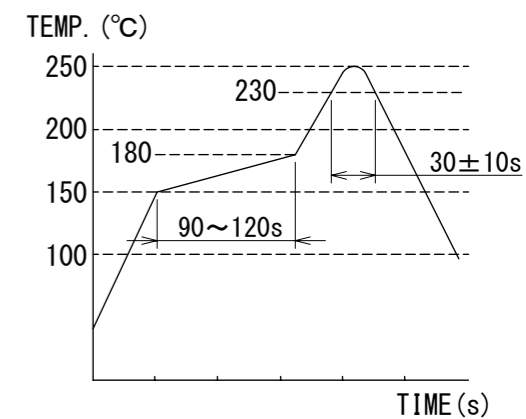


RECOMMENDED PCB PATTERN (FREE)
OPEN AREA RATIO : 100%



HRS DRAWING FOR REFERENCE

- NOTE 1. RECOMMENDED TEMPERATURE PROFILE FOR REFLOW (REFER TO RIGHT FIG.)
USED REFLOW SYSTEM
NO. OF CYCLES : 2 MAX
PEAK : 250°C
OVER 230°C : 20~40s
PREHEAT : 150~180°C
90~120s
2. TEMPERATURE FOR SOLDERING IRON : 350~380°C WITHIN 5s
3. CO-PLANARITY : 0.1mm MAX
4. RECOMMENDED SOLDER THICKNESS : 0.10mm



| 3 | BRASS | TIN PLATING | 6 | POLYSTYRENE | | | | |
|-------------------------|----------|--------------|---------|-------------|--------------------------|------------------|-------------|--------------|
| 2 | BRASS | Au PLATING | 5 | POLYESTER | | | | |
| 1 | LCP | BLACK | 4 | POLYSTYRENE | | | | |
| NO. | MATERIAL | FINISH | REMARKS | NO. | MATERIAL | FINISH | REMARKS | |
| UNITS | mm | SCALE | 5:1 | COUNT | DESCRIPTION OF REVISIONS | DESIGNED | CHECKED | DATE |
| | | | | | DIS-T-00020330 | RS. TAKAGI | HH. TSUKUMO | 2024. 03. 05 |
| APPROVED : AH. EDASHIGE | | 2023. 10. 12 | | DRAWING NO. | | EDC-392591-00-00 | | |
| CHECKED : HH. TSUKUMO | | 2023. 10. 12 | | PART NO. | | GT50-8P-1H | | |
| DESIGNED : RS. TAKAGI | | 2023. 10. 11 | | CODE NO. | | CL0760-1008-0-00 | | |
| DRAWN : RS. TAKAGI | | 2023. 10. 11 | | | | | | |

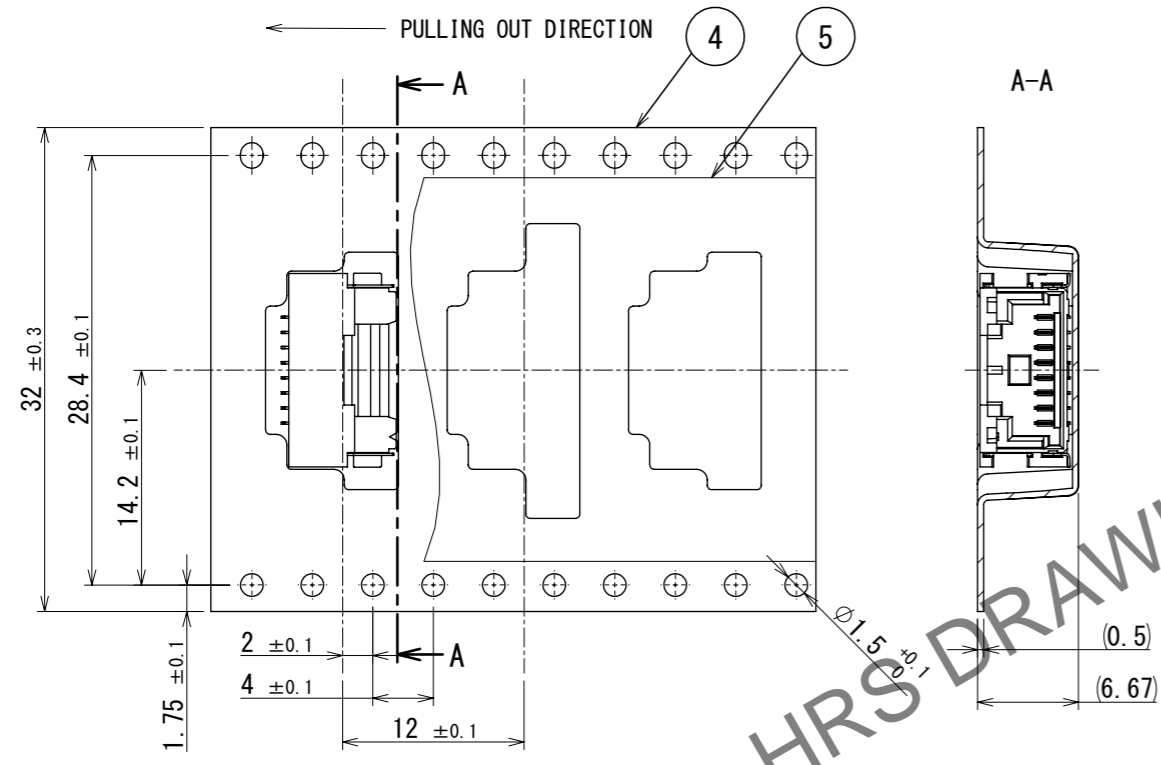
Oct.1.2024 Copyright 2024 HIROSE ELECTRIC CO., LTD. All Rights Reserved. In case of consideration for using Automotive equipment / device which demand high reliability, kindly contact our sales window correspondents.

Oct.1.2024 Copyright 2024 HIROSE ELECTRIC CO., LTD. All Rights Reserved.
 In case of consideration for using Automotive equipment / device which demand high reliability, kindly contact our sales window correspondents.

PACKING STYLE (FREE)

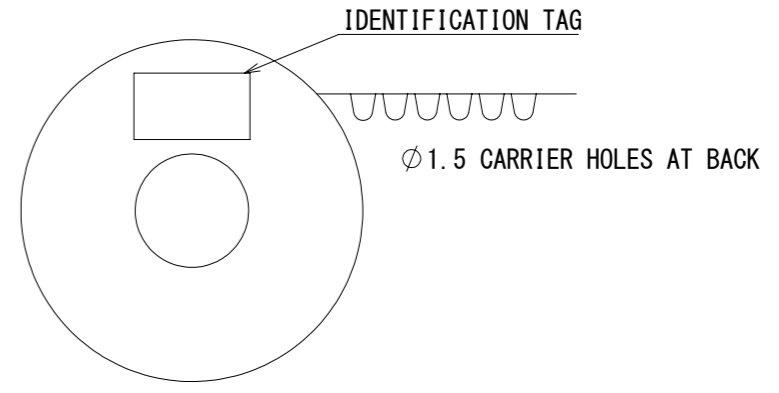
A
B
C
D
E
F

PACKING STYLE DRAWING

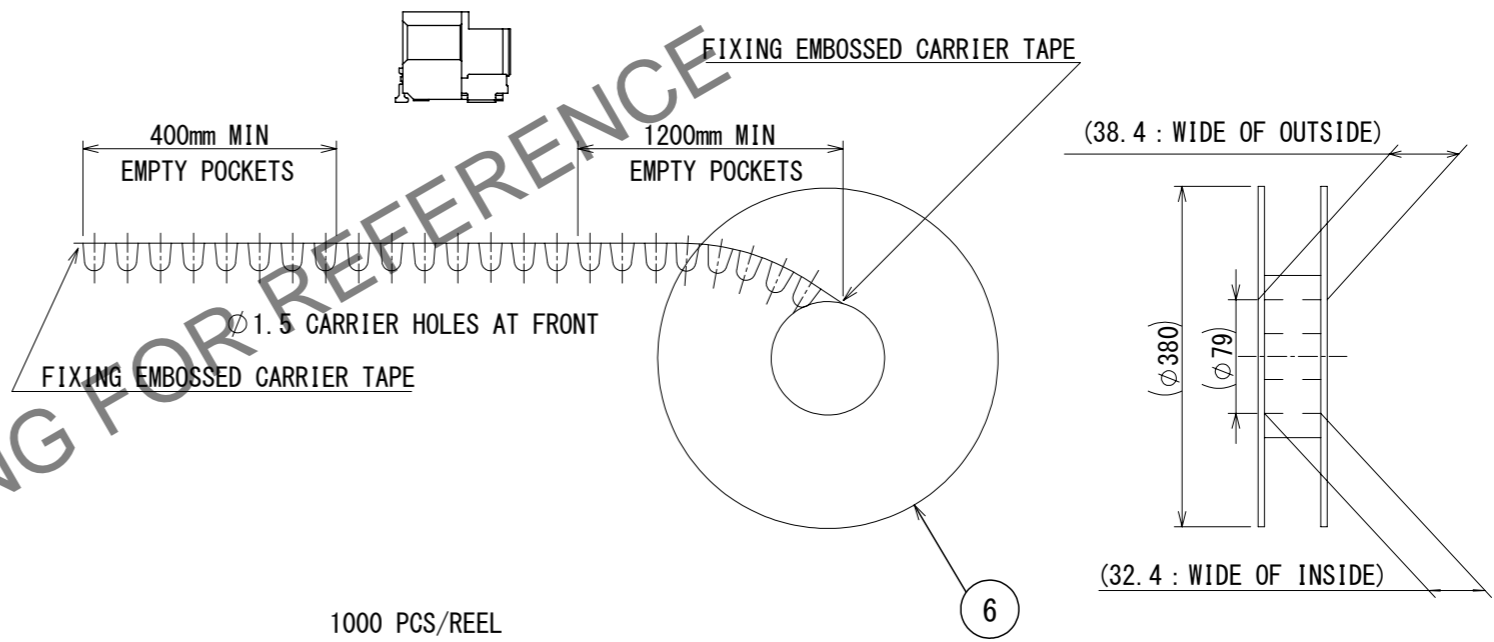


※Embossed pocket has a different shape to prevent overlapping, and the drawing shows a representative shape.

REEL DIMENSION



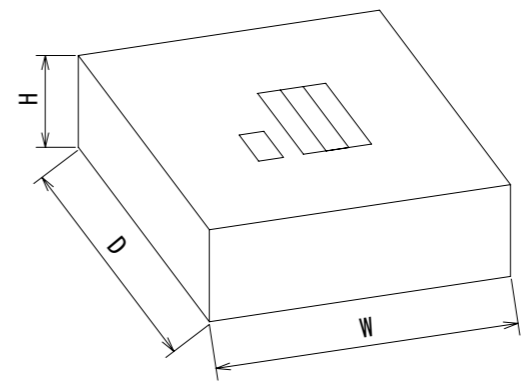
PRODUCTS DIRECTION



1000 PCS/REEL

CARDBOARD DIMENSION

W = (405) (mm)
 D = (405) (mm)
 H = (39) (mm)



| | | | |
|------------|-------------|------------------|-----|
| HRS | DRAWING NO. | EDC-392591-00-00 | 2/2 |
| | PART NO. | GT50-8P-1H | |
| | CODE NO. | CL0760-1008-0-00 | |
| | | | |