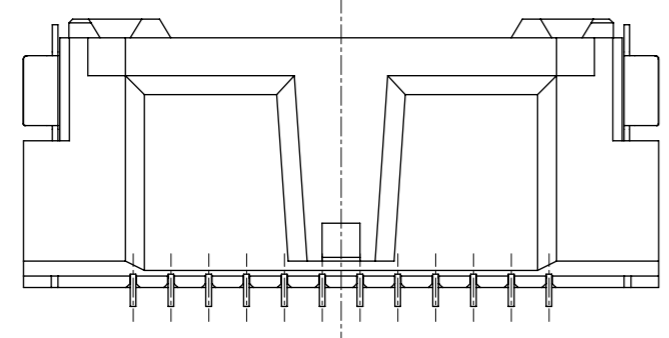
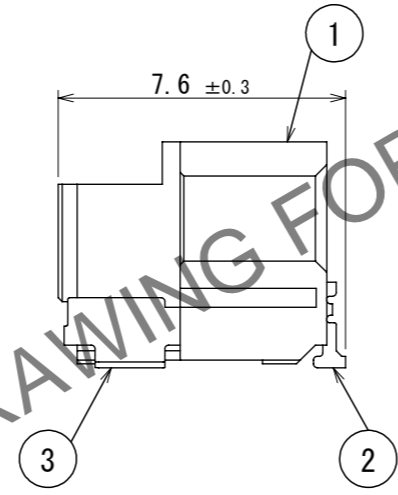
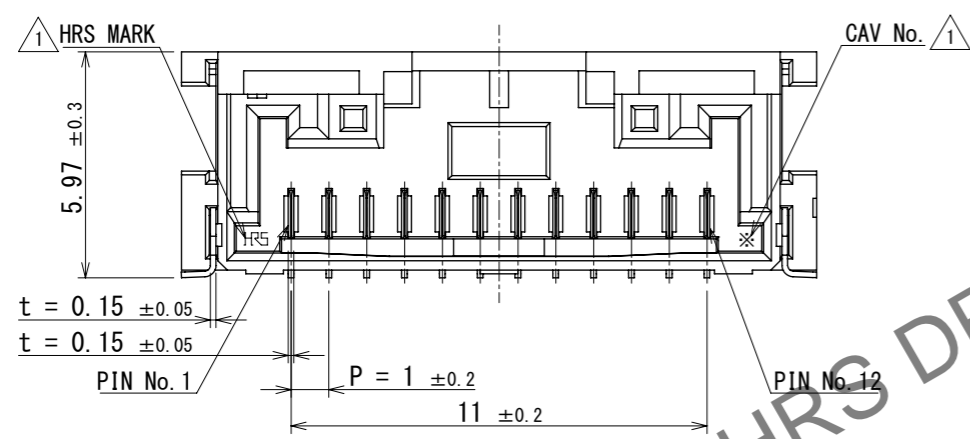
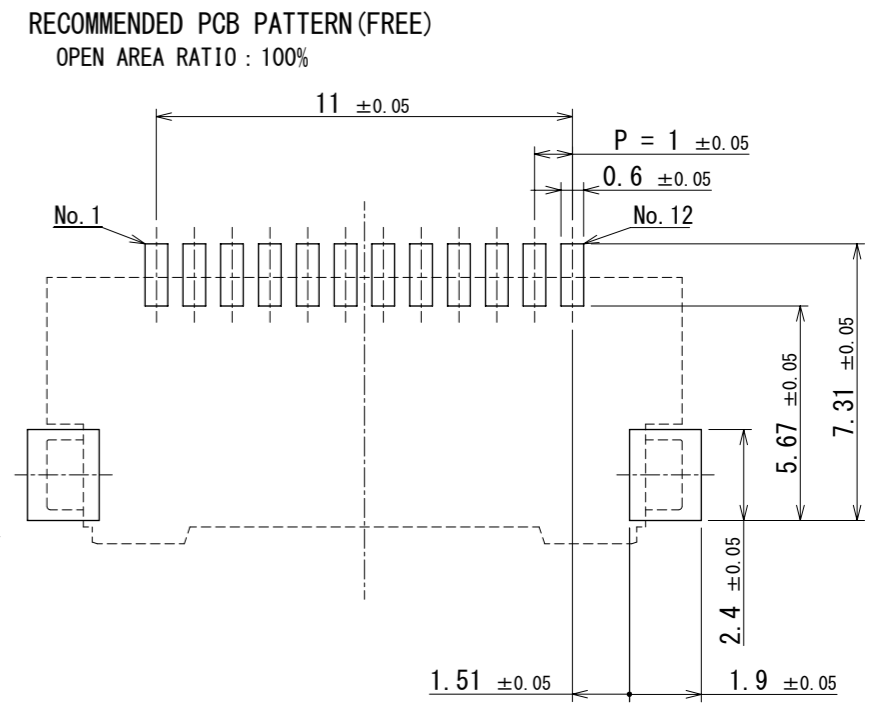
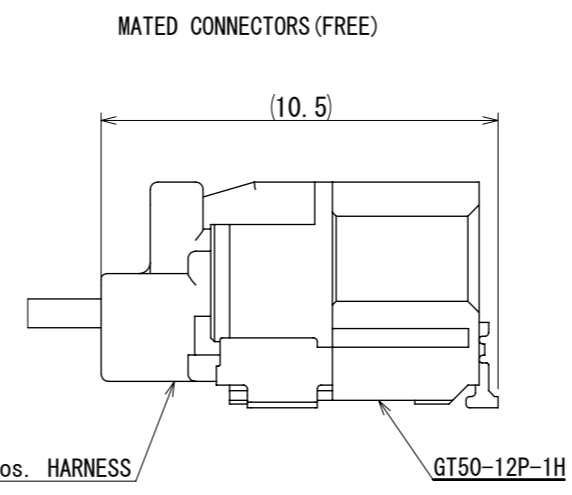
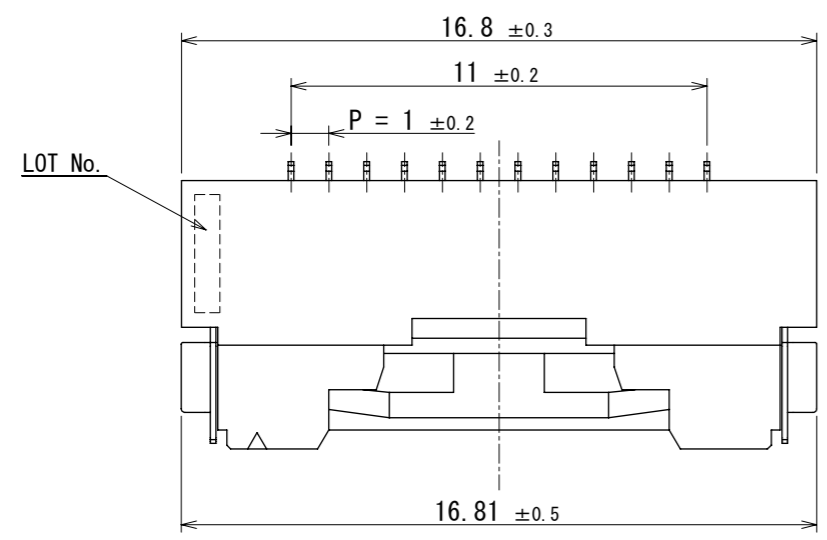
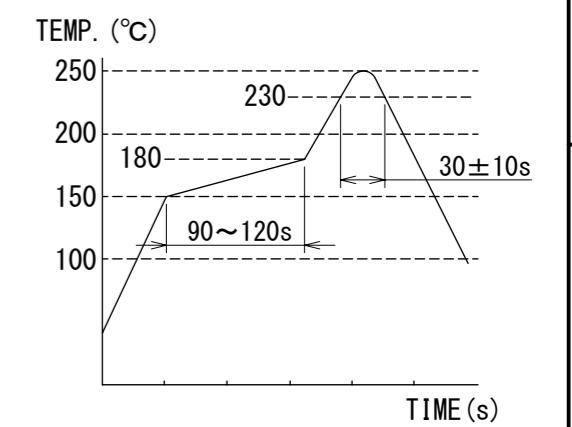


Oct.1.2024 Copyright 2024 HIROSE ELECTRIC CO., LTD. All Rights Reserved.  
In case of consideration for using Automotive equipment / device which demand high reliability, kindly contact our sales window correspondents.

**ELV. RoHS COMPLIANT**



- NOTE 1. RECOMMENDED TEMPERATURE PROFILE FOR REFLOW (REFER TO RIGHT FIG.)  
USED REFLOW SYSTEM : IR IN THE AIR OR NITROGEN  
NO. OF CYCLES : 2 MAX  
PEAK : 250°C  
OVER 230°C : 20~40s  
PREHEAT : 150~180°C  
90~120s
- △ 2. TEMPERATURE FOR SOLDERING IRON : 350~380°C WITHIN 5s
3. CO-PLANARITY : 0.1mm MAX
4. RECOMMENDED SOLDER THICKNESS : 0.10mm



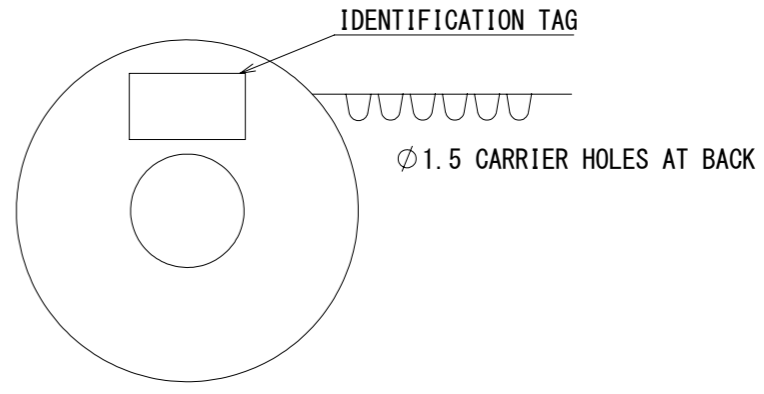
3	BRASS	TIN PLATING	6	POLYSTYRENE			
2	BRASS	Au PLATING	5	POLYESTER			
1	LCP	BLACK	4	POLYSTYRENE			
NO.	MATERIAL	FINISH	REMARKS	NO.	MATERIAL	FINISH	REMARKS
UNITS	mm	SCALE	5:1	COUNT	3	DESCRIPTION OF REVISIONS	DIS-T-00020330
APPROVED : AH. EDASHIGE 2023. 10. 12				DESIGNED : RS. TAKAGI			
CHECKED : HH. TSUKUMO 2023. 10. 12				CHECKED : HH. TSUKUMO			
DESIGNED : RS. TAKAGI 2023. 10. 11				DATE : 2024. 03. 05			
DRAWN : RS. TAKAGI 2023. 10. 11				DRAWING NO. : EDC-392593-00-00			
HRS HIROSE ELECTRIC CO., LTD.				PART NO. : GT50-12P-1H			
				CODE NO. : CL0760-1010-0-00			

Oct.1.2024 Copyright 2024 HIROSE ELECTRIC CO., LTD. All Rights Reserved.  
 In case of consideration for using Automotive equipment / device which demand high reliability, kindly contact our sales window correspondents.

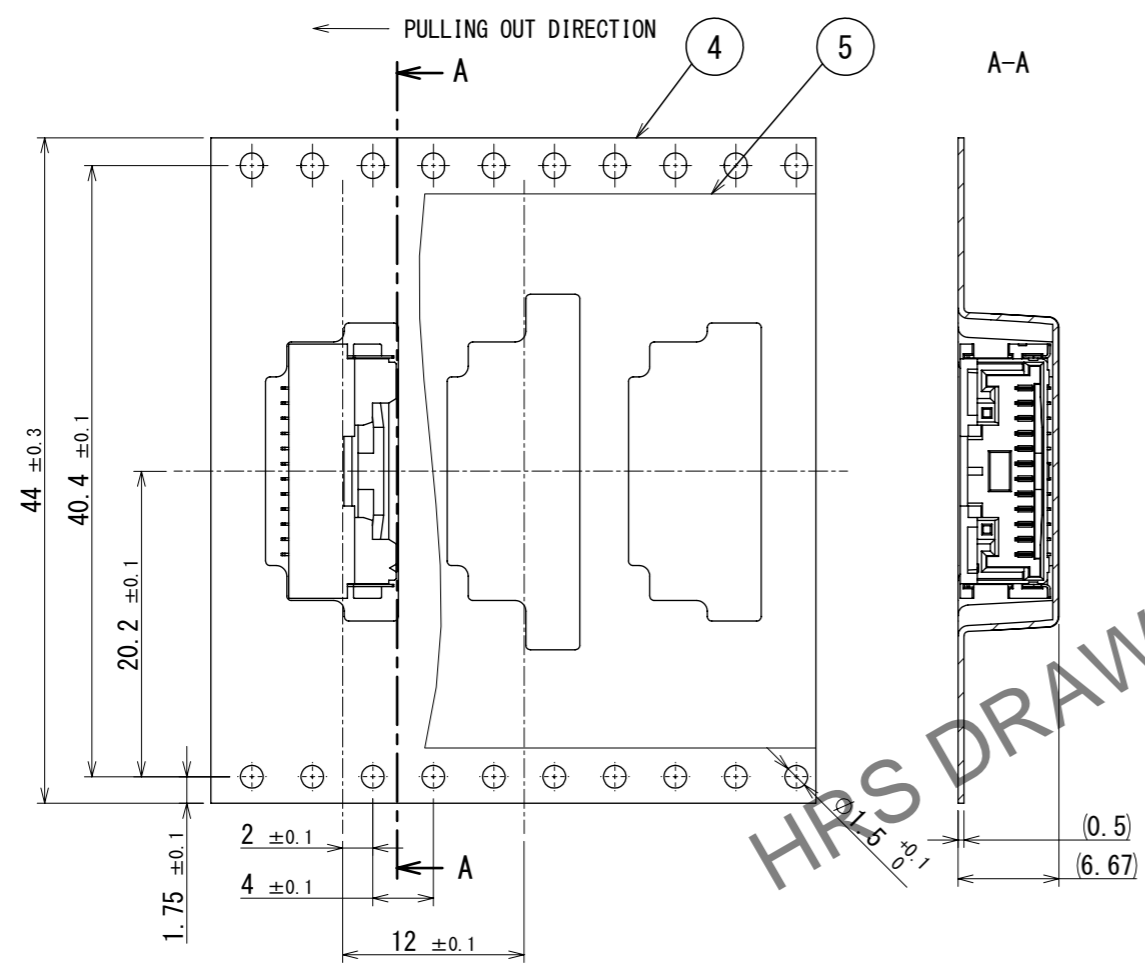
# PACKING STYLE (FREE)

A  
B  
C  
D  
E  
F

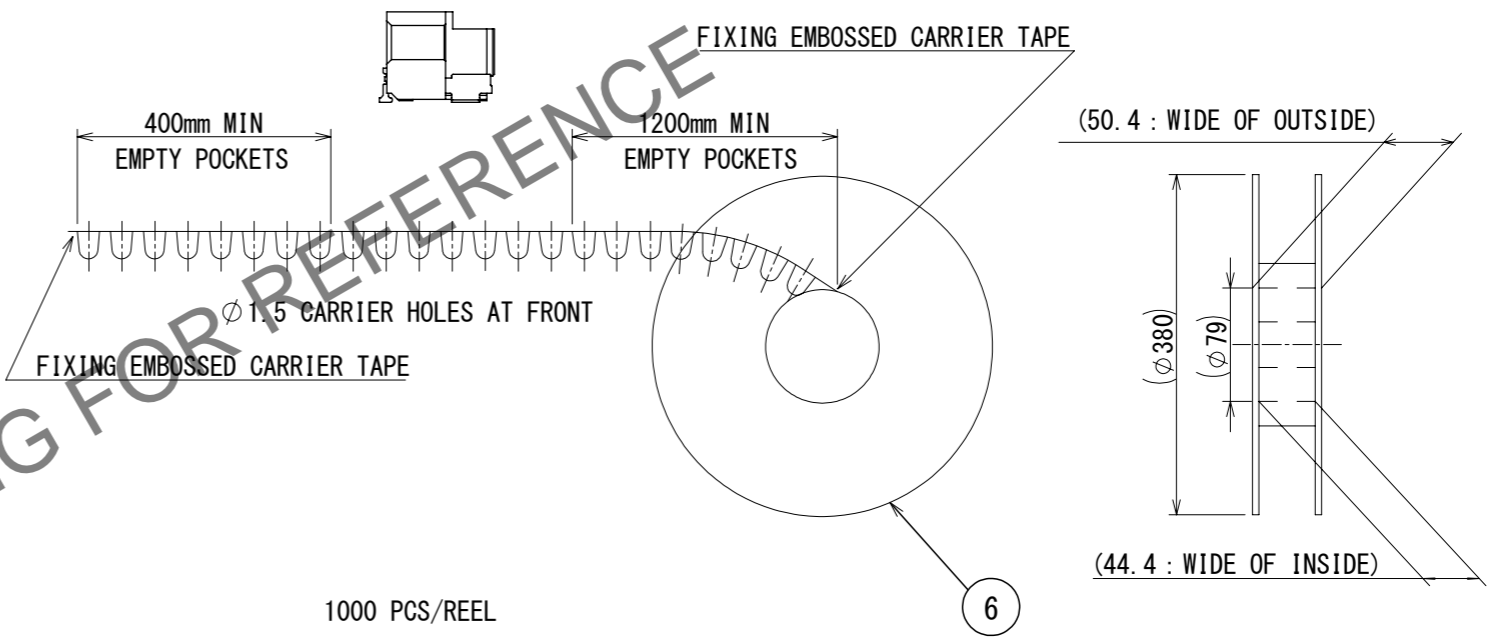
## REEL DIMENSION



## PACKING STYLE DRAWING



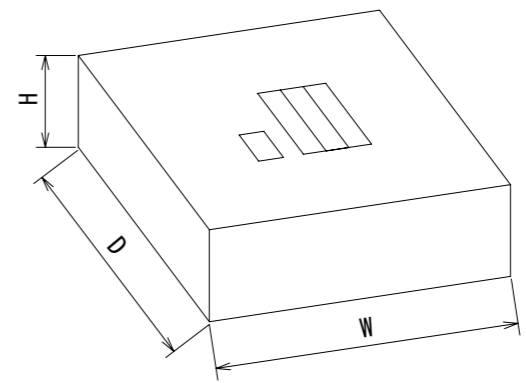
## PRODUCTS DIRECTION



1000 PCS/REEL

## CARDBOARD DIMENSION

W = (405) (mm)  
 D = (405) (mm)  
 H = (51) (mm)



※Embossed pocket has a different shape to prevent overlapping, and the drawing shows a representative shape.

<b>HRS</b>	DRAWING NO.	EDC-392593-00-00	
	PART NO.	GT50-12P-1H	
	CODE NO.	CL0760-1010-0-00	
	NO.	2/2	