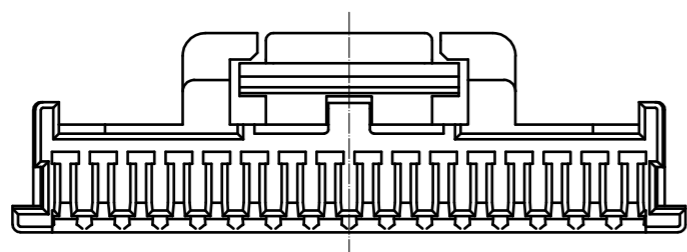
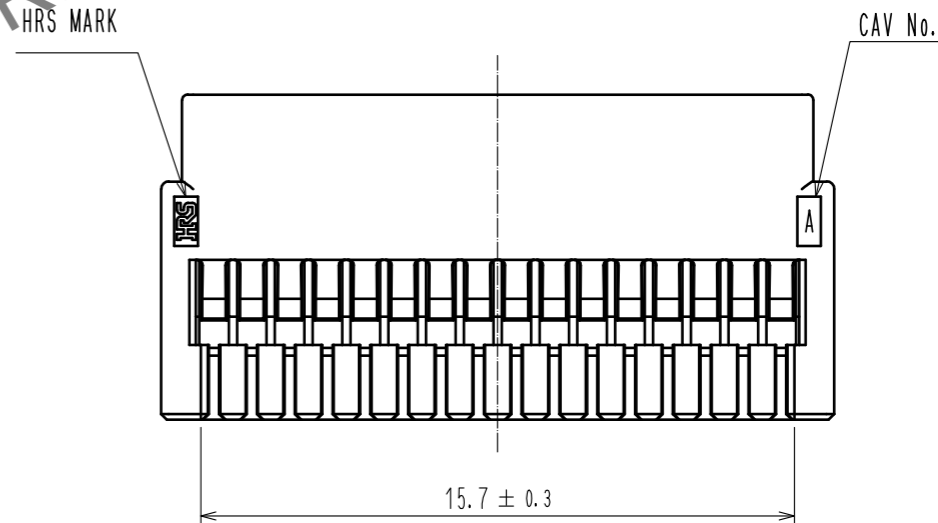
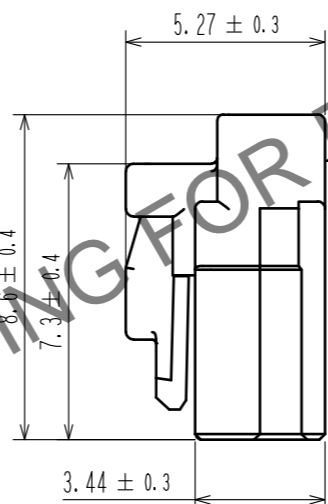
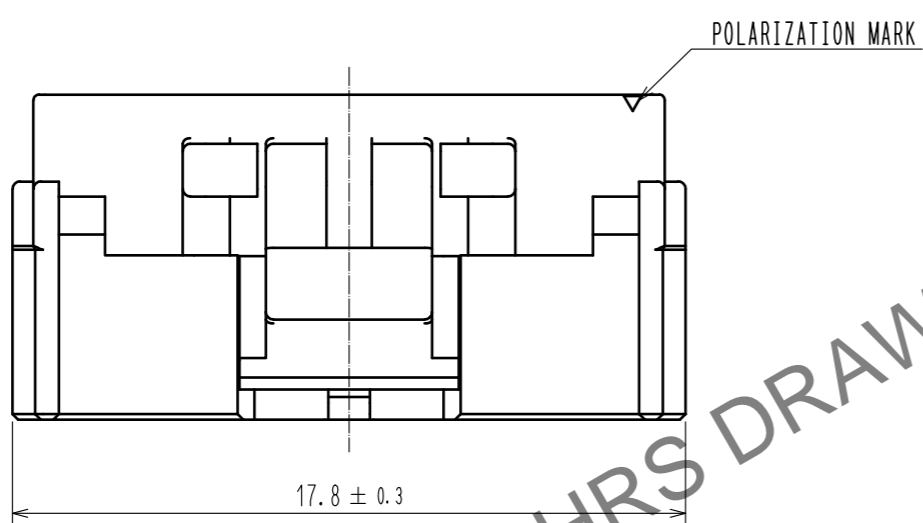
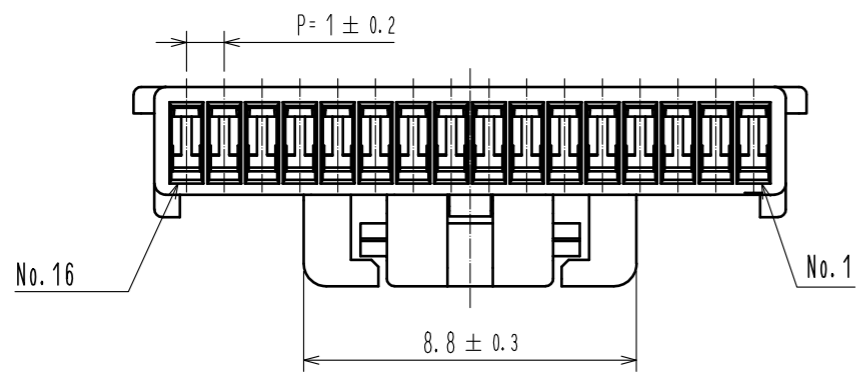


Dec.1.2024 Copyright 2024 HIROSE ELECTRIC CO., LTD. All Rights Reserved.  
 In case of consideration for using Automotive equipment / device which demand high reliability, kindly contact our sales window correspondents.

ELV, RoHS COMPLIANT



NOTE1. PER PACK : 100 PIECES

NO.		MATERIAL		FINISH . REMARKS		1	PBT	UL94V-0. BLACK		
UNITS		SCALE		COUNT		DESCRIPTION OF REVISIONS		DESIGNED	CHECKED	DATE
mm		5 : 1		△						
HIROSE ELECTRIC CO., LTD.		APPROVED : HK. UMEHARA		20200806		DRAWING NO.		EDC-392596-00-00		
		CHECKED : OM. MIYAMOTO		20200805		PART NO.		GT50-16S-1C		
		DESIGNED : YT. TAKANASHI		20200805		CODE NO.		CL760-1013-0-00		
		DRAWN : GY. YOON		20200805						