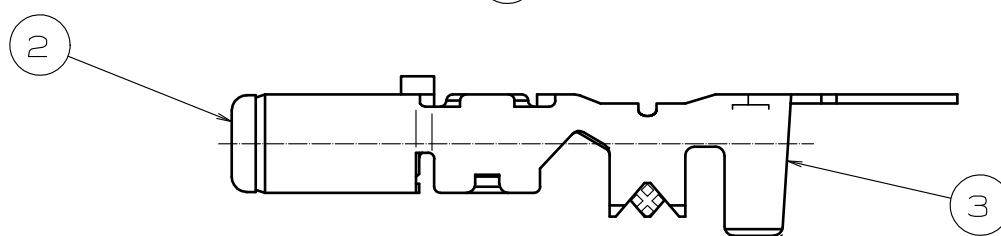
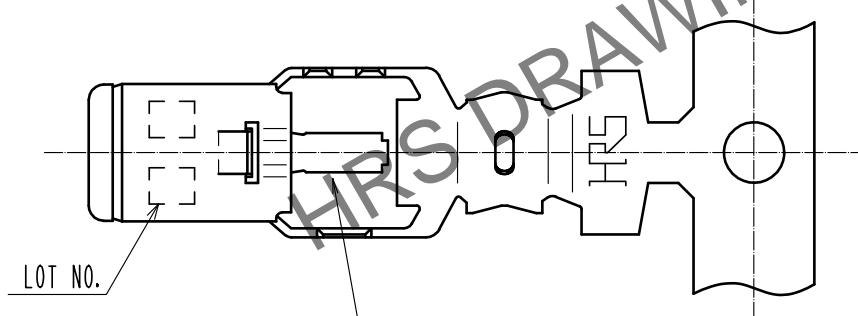
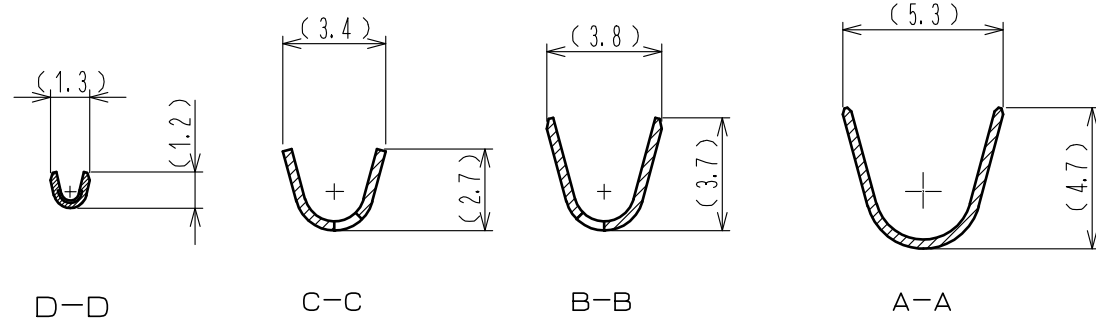
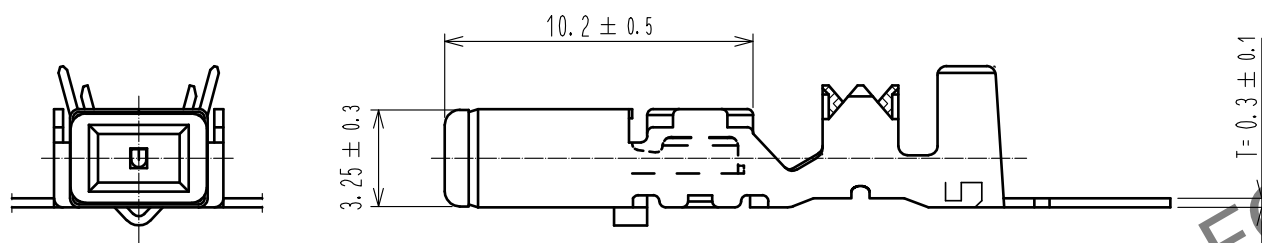
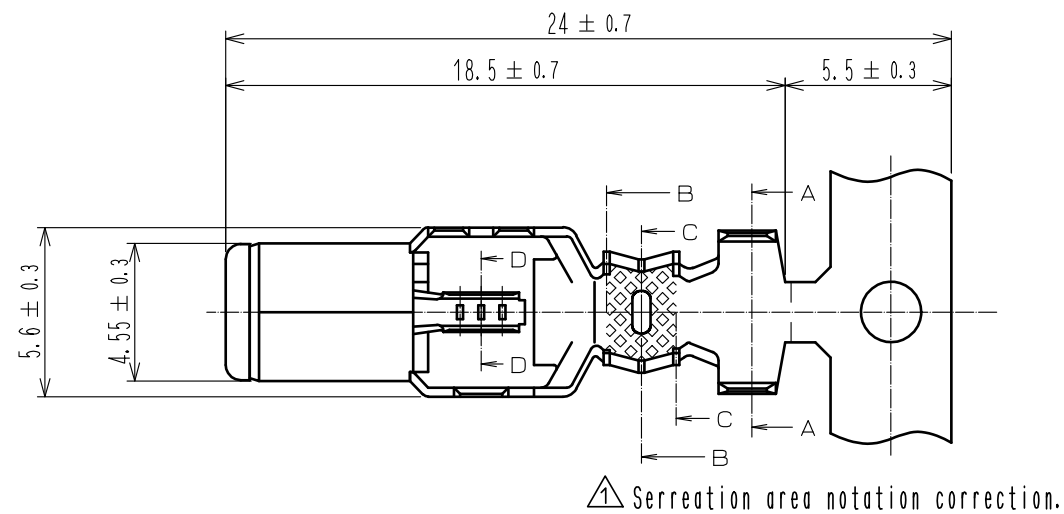


Apr.1.2025 Copyright 2025 HIROSE ELECTRIC CO., LTD. All Rights Reserved.  
 In case of consideration for using Automotive equipment / device which demand high reliability, kindly contact our sales window correspondents.

ELV. RoHS COMPLIANT



NOTE1. ONE REEL CONSISTS OF 4000 PIECES OF CONTACTS.

1	BRASS	TIN PLATED	3	BRASS	TIN PLATED
2	PBT	DARK GLAY	2	PBT	DARK GLAY
NO.	MATERIAL	FINISH . REMARKS	NO.	MATERIAL	FINISH . REMARKS
UNITS mm			SCALE 4 : 1	COUNT 1	DESCRIPTION OF REVISIONS DIS-T-00005110
APPROVED : KS. SATOH			20061122	DESIGNED	CHKD
CHECKED : KS. SATOH			20061122	MO. OKADA	MO. OKADA
DESIGNED : SB. KURIYA			20061122	DATE	20190830
DRAWN : SB. KURIYA			20061122	DRAWING NO.	EDC3-165831-01
PART NO.			GT13-30/1.6-2.9PCF(70)		
CODE NO.			CL763-0041-8-70		