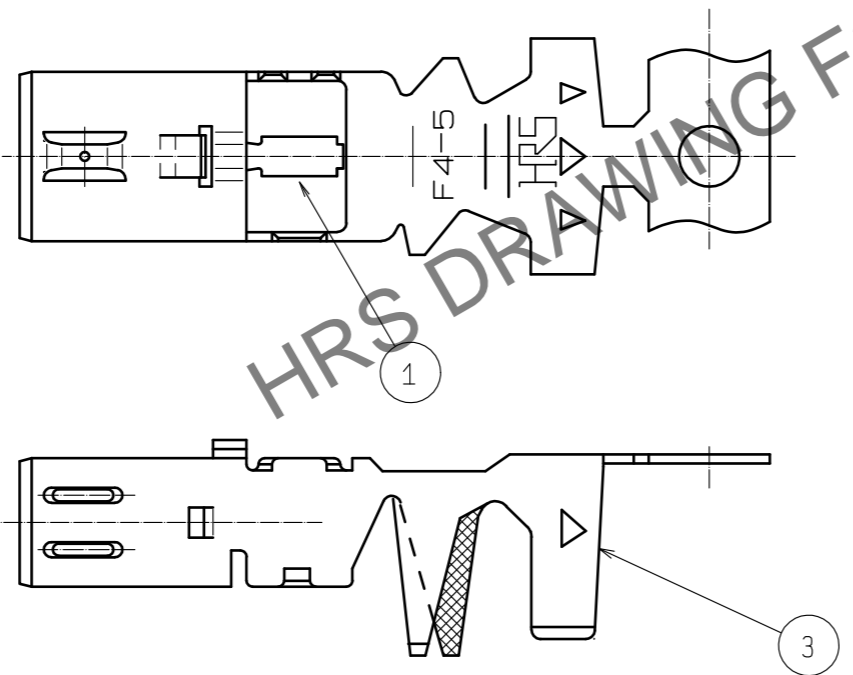
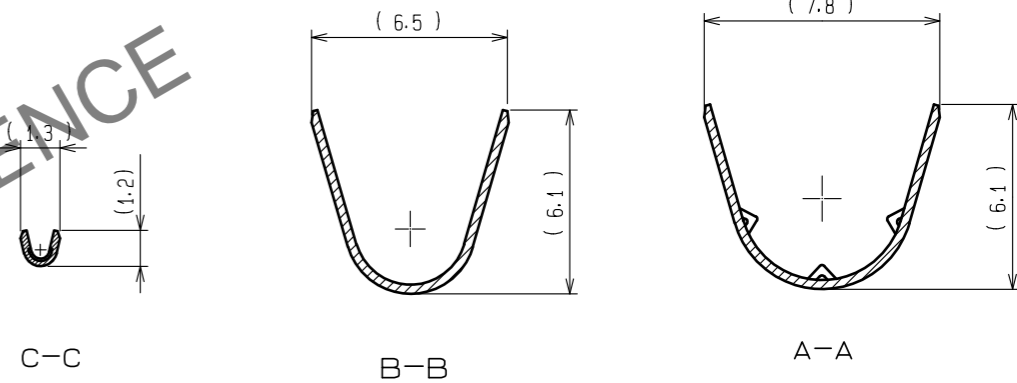
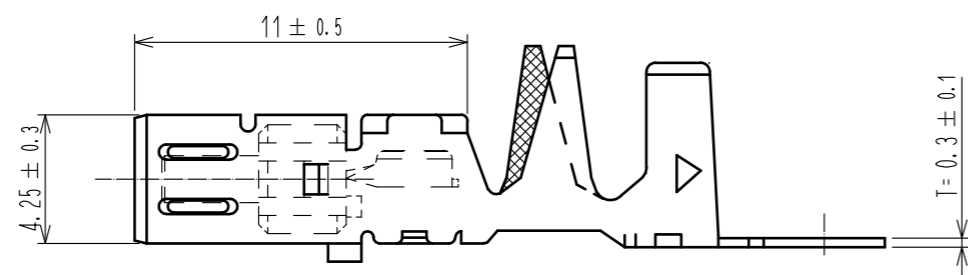
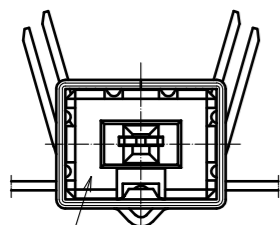
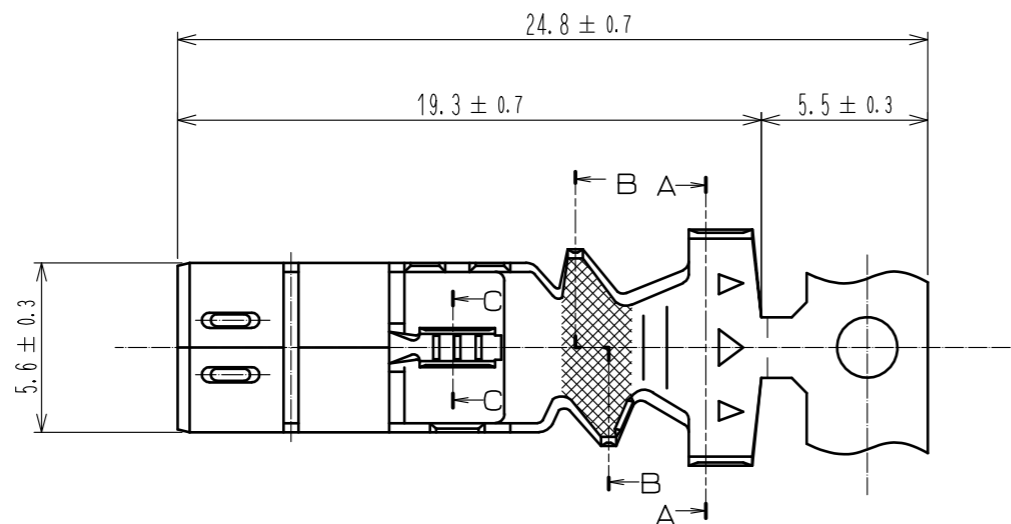


Apr.1.2025 Copyright 2025 HIROSE ELECTRIC CO., LTD. All Rights Reserved.
 In case of consideration for using Automotive equipment / device which demand high reliability, kindly contact our sales window correspondents.

ELV. RoHS COMPLIANT



HRS DRAWING FOR REFERENCE

NOTE
 1. PER REEL : 2200 CONTACTS.
 2. THIS REEL DIAMETER SHALL BE $\phi 750$, AND CRIMPING MACHINE NEEDS ADDITIONAL PARTS AS CM 105/RS-ED.

1	COPPER ALLOY	TIN PLATING	3	COPPER ALLOY	TIN PLATING			
2	PBT	DARK GRAY	2	PBT	DARK GRAY			
NO.	MATERIAL	FINISH . REMARKS	NO.	MATERIAL	FINISH . REMARKS			
UNITS mm			SCALE 4 : 1	COUNT 	DESCRIPTION OF REVISIONS	DESIGNED	CHECKED	DATE
HIROSE ELECTRIC CO., LTD.			APPROVED : KI. HIROKAWA	20200327	DRAWING NO.	EDC-166147-55-00		
			CHECKED : MO. OKADA	20200327	PART NO.	GT13-30/F4-5SCF(55)		
			DESIGNED : NK. IKUTA	20200327	CODE NO.	CL763-0067-1-55		
			DRAWN : YK. MITSUISHI	20200318		1/1		