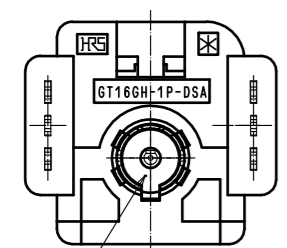
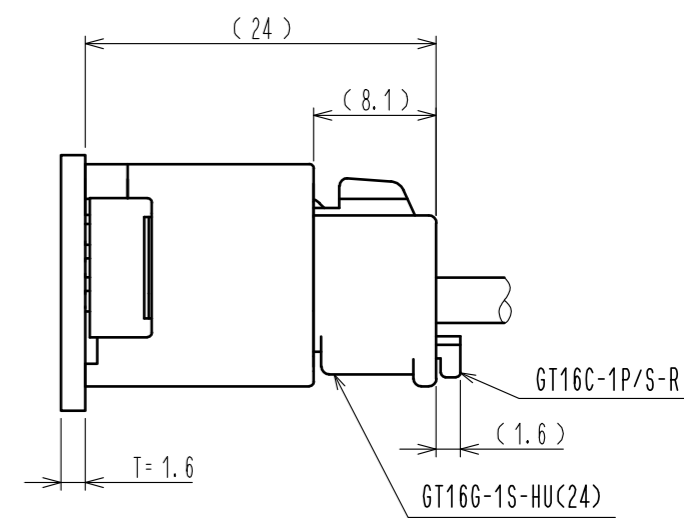
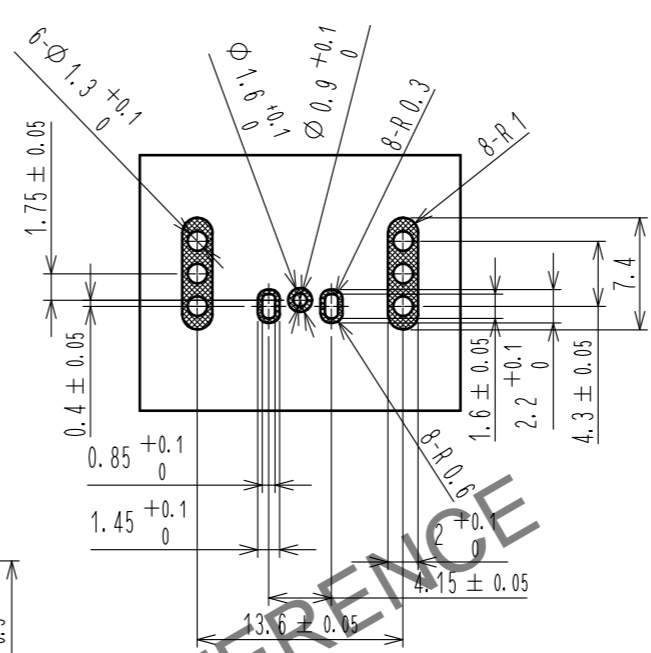


Jan.1.2025 Copyright 2025 HIROSE ELECTRIC CO., LTD. All Rights Reserved.
 In case of consideration for using Automotive equipment / device which demand high reliability, kindly contact our sales window correspondents.

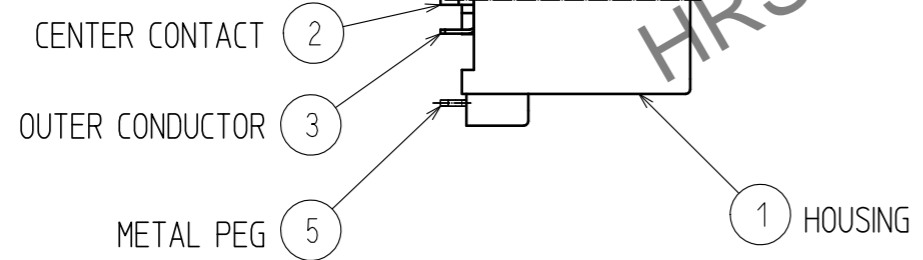
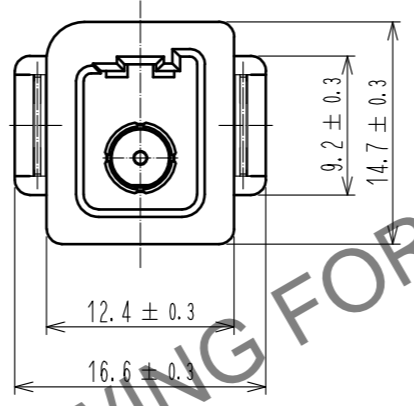
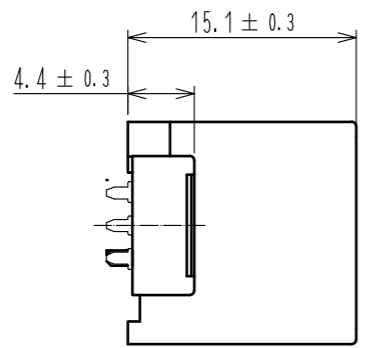
ELV, RoHS COMPLIANT

RECOMMENDED PC BOARD PATTERN

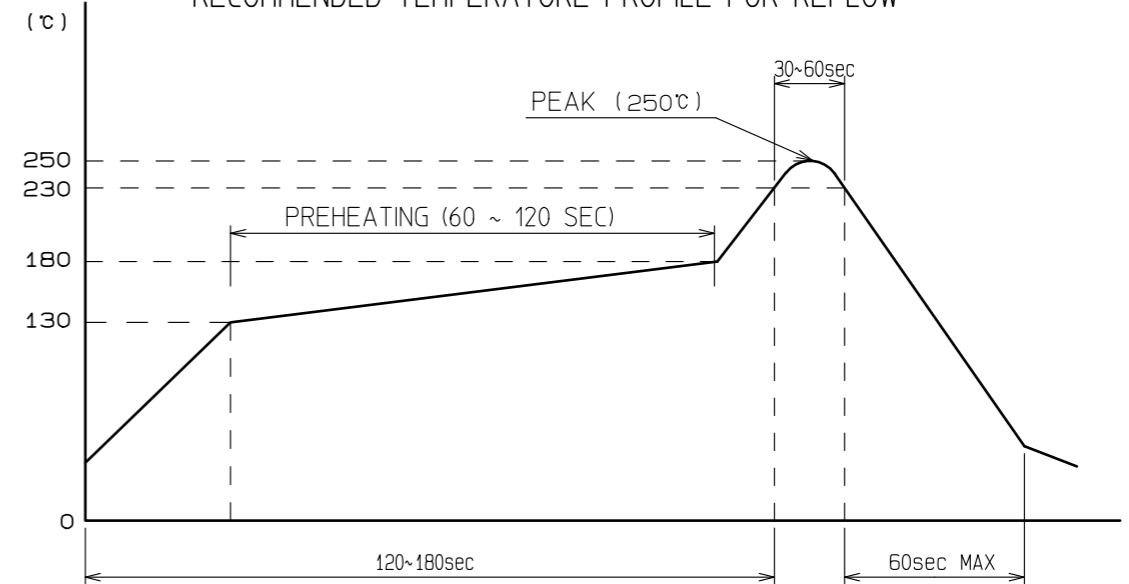
MATED CONNECTORS



4 INSULATOR



RECOMMENDED TEMPERATURE PROFILE FOR REFLOW



Note1. THE RECOMMENDED REFLOW TEMPERATURE PROFILE IS AS FIGURE.
 2. RECOMMENDED PCB THICKNESS IS 1.6mm.
 3. PACKING STYLE REFERS TO ATAP-T0507-00.

| 3 | PHOSPHOR BRONZE | TIN PLATING | | | |
|--------------------------------------|-----------------|------------------|-------------------------|--------------------------|------------------------------|
| 2 | PHOSPHOR BRONZE | TIN PLATING | 5 | BRASS | TIN PLATING |
| 1 | PPS | BLACK | 4 | PPS | NATURAL |
| NO. | MATERIAL | FINISH . REMARKS | NO. | MATERIAL | FINISH . REMARKS |
| UNITS | | SCALE | COUNT | DESCRIPTION OF REVISIONS | |
| mm | | 2 : 1 | | DESIGNED | CHECKED |
| HRS HIROSE ELECTRIC CO., LTD. | | | APPROVED : KI. HIROKAWA | 18. 04. 17 | DRAWING NO. EDC-359267-00-00 |
| | | | CHECKED : MO. OKADA | 18. 04. 12 | PART NO. GT16GH-1P-DSA |
| | | | DESIGNED : AM. YAMAUCHI | 18. 04. 10 | CODE NO. CL766-0112-3-00 |
| | | | DRAWN : MN. SATOH | 18. 03. 30 | |