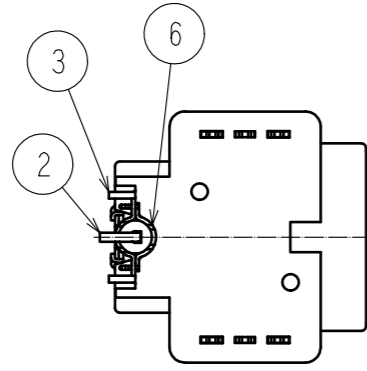
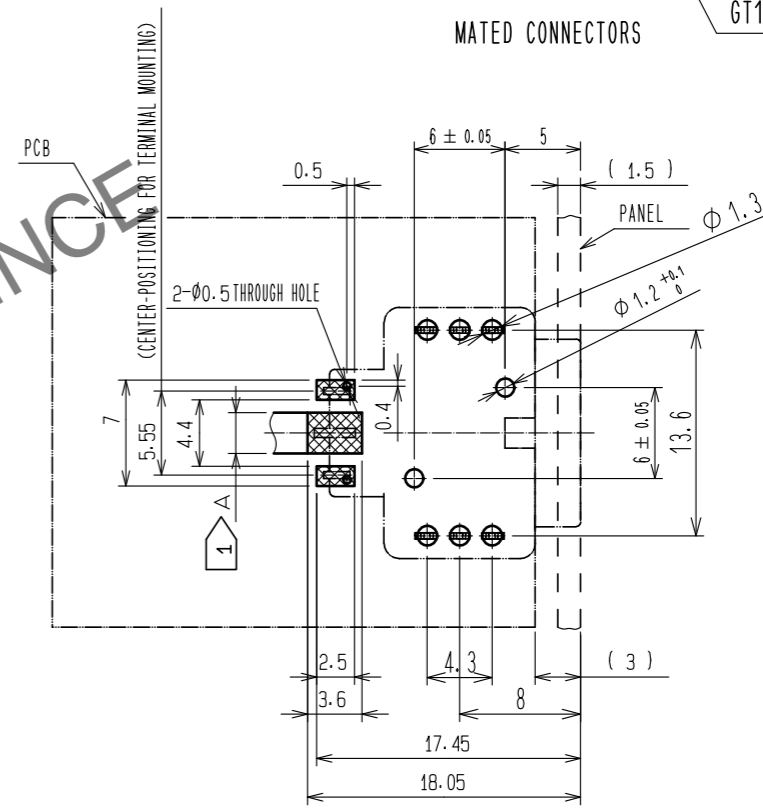
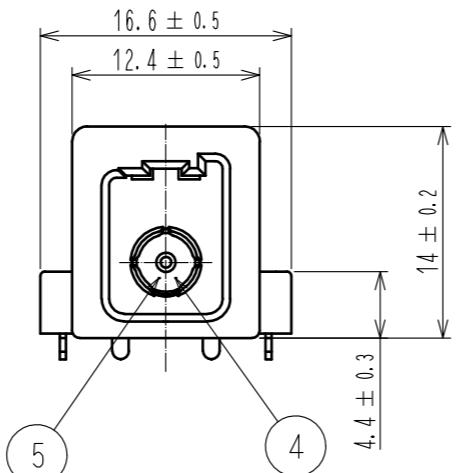
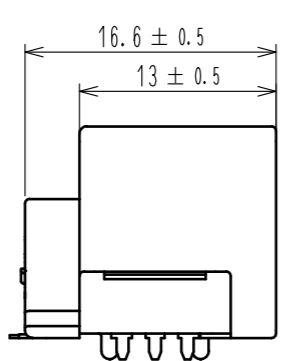
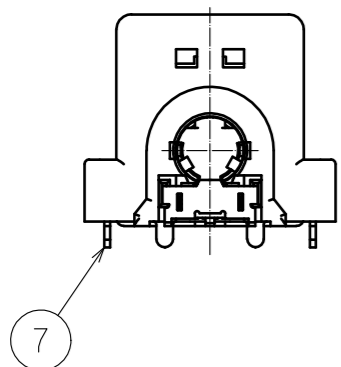
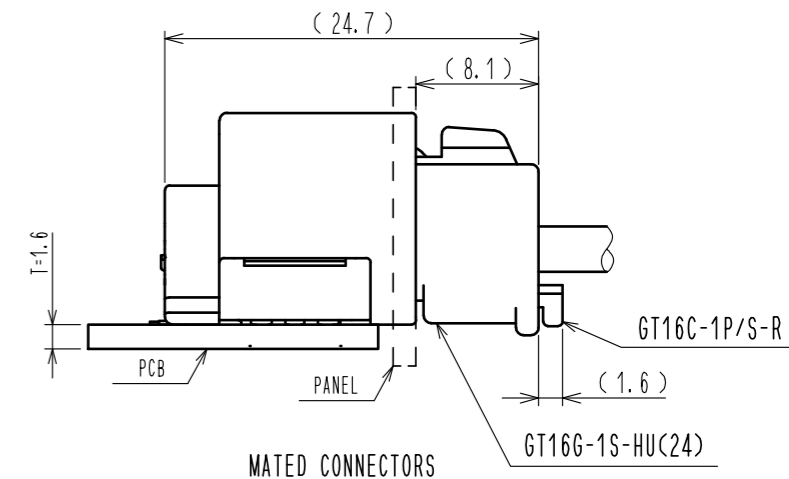
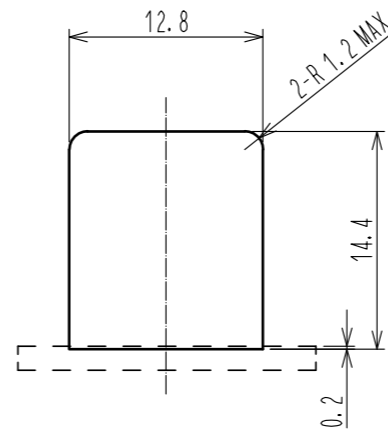
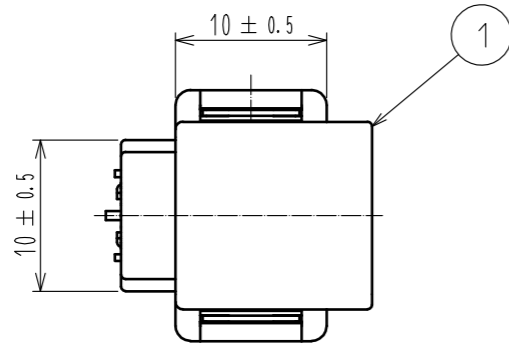
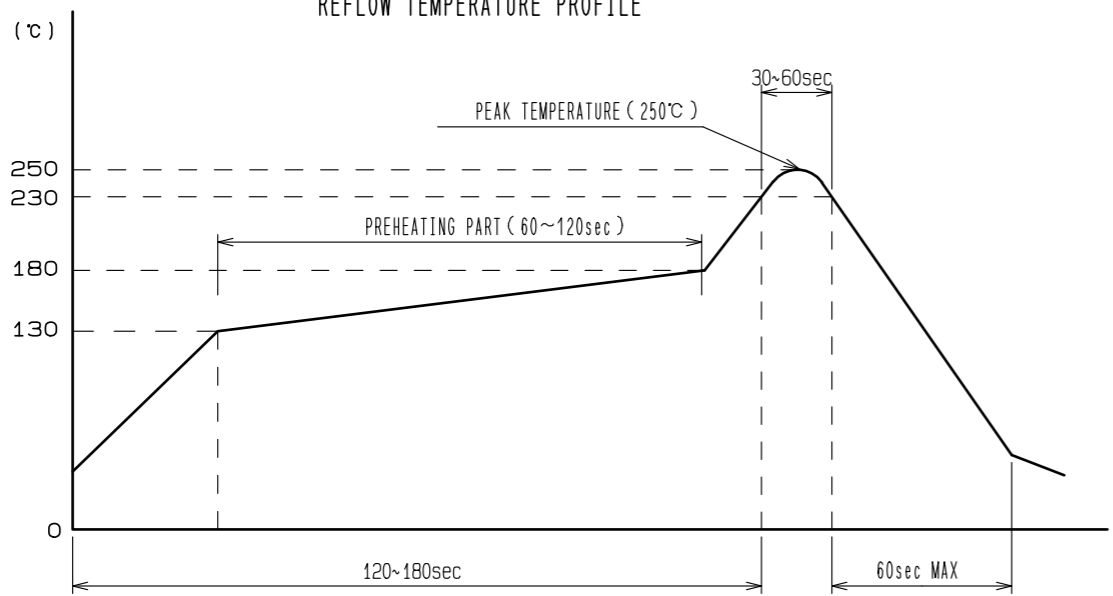


Jan.1.2025 Copyright 2025 HIROSE ELECTRIC CO., LTD. All Rights Reserved.  
In case of consideration for using Automotive equipment / device which demand high reliability, kindly contact our sales window correspondents.

ELV. RoHS COMPLIANT



REFLOW TEMPERATURE PROFILE



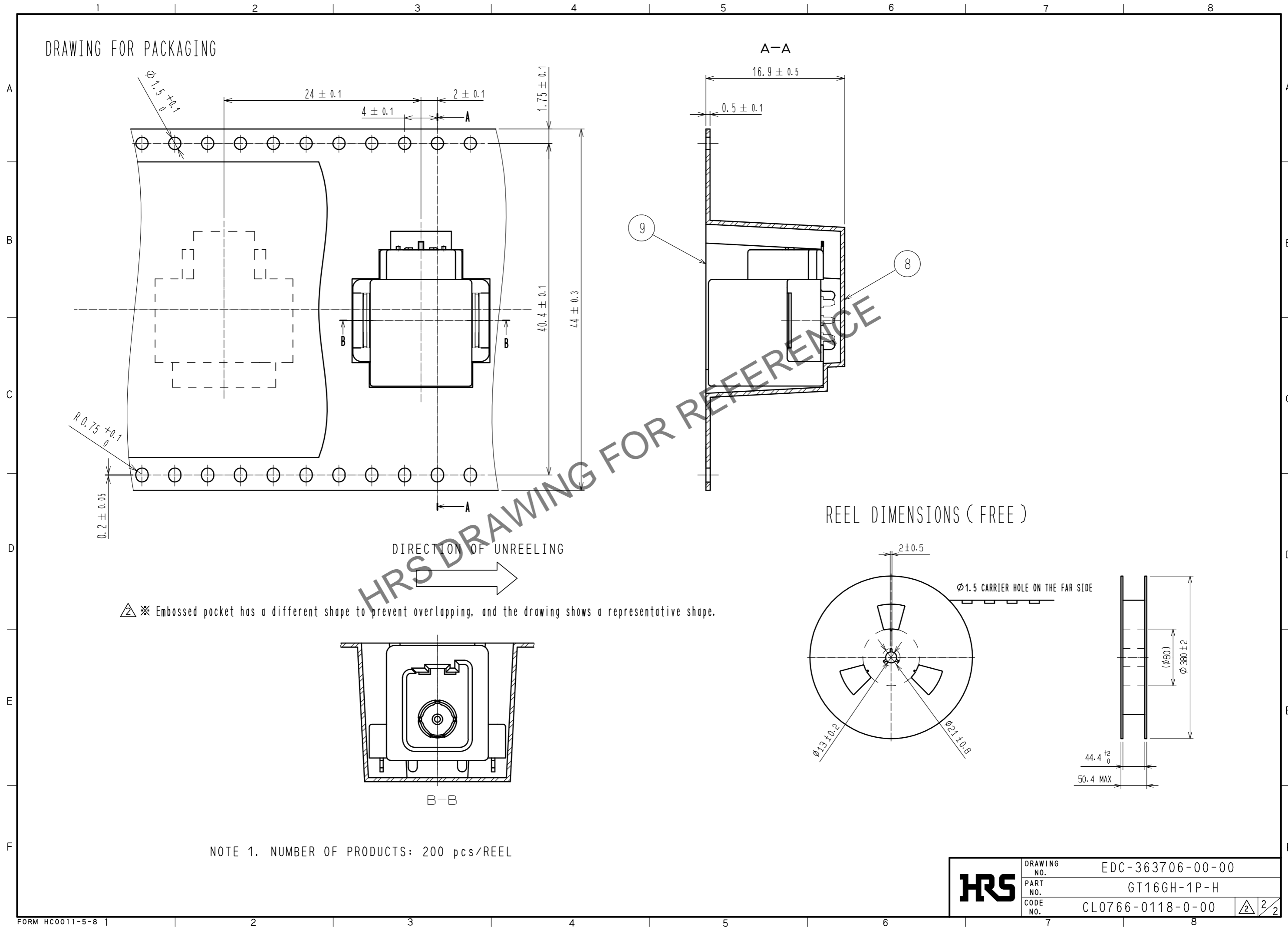
HRS DRAWING FOR REFERENCE

- NOTE 1. A MUST BE TAKEN TO OBTAIN IMPEDANCE CHARACTERISTIC OF 50Ω.  
 2. THE RECOMMENDED REFLOW TEMPERATURE PROFILE IS AS FIGURE.  
 3. LEAD CO-PLANALITY INCLUDE REINFORCED FITTINGS SHALL BE 0.15mm MAX.

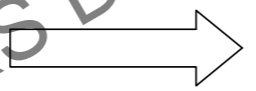
| 5                                | PPS             | NATURAL             |                              |  |                       |
|----------------------------------|-----------------|---------------------|------------------------------|--|-----------------------|
| 4                                | PPS             | NATURAL             | 9                            | PET  | COVER TAPE            |
| 3                                | PHOSPHOR BRONZE | TIN PLATED          | 8                            | PS   | EMBOSSED CARRIER TAPE |
| 2                                | PHOSPHOR BRONZE | TIN PLATED          | 7                            | BRASS                                      | TIN PLATED            |
| 1                                | PPS             | BLACK               | 6                            | PHOSPHOR BRONZE                            | TIN PLATED            |
| NO.                              | MATERIAL        | FINISH . REMARKS    | NO.                          | MATERIAL                                   | FINISH . REMARKS      |
| UNITS<br>mm                      |                 | SCALE<br>2 : 1      | COUNT<br>1                   | DESCRIPTION OF REVISIONS<br>DIS-T-00018049 |                       |
| DESIGNED<br>TS. KUBOTA           |                 | CHECKED<br>KT. MAKI |                              | DATE<br>20230512                           |                       |
| APPROVED : KI. HIROKAWA 20171122 |                 |                     | DRAWING NO. EDC-363706-00-00 |  |                       |
| CHECKED : KT. MAKI 20171122      |                 |                     | PART NO. GT16GH-1P-H         |  |                       |
| DESIGNED : AM. YAMAUCHI 20171121 |                 |                     | CODE NO. CL0766-0118-0-00    |  |                       |
| DRAWN : YP. SHEN 20171121        |                 |                     | 1/2                          |  |                       |

Jan.1.2025 Copyright 2025 HIROSE ELECTRIC CO., LTD. All Rights Reserved.  
 In case of consideration for using Automotive equipment / device which demand high reliability, kindly contact our sales window correspondents.

DRAWING FOR PACKAGING



DIRECTION OF UNREELING



⚠️ Embossed pocket has a different shape to prevent overlapping, and the drawing shows a representative shape.

NOTE 1. NUMBER OF PRODUCTS: 200 pcs/REEL

|            |             |                  |  |     |
|------------|-------------|------------------|--|-----|
| <b>HRS</b> | DRAWING NO. | EDC-363706-00-00 |  | 2/2 |
|            | PART NO.    | GT16GH-1P-H      |  |     |
|            | CODE NO.    | CL0766-0118-0-00 |  |     |
|            |             |                  |  |     |