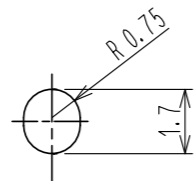
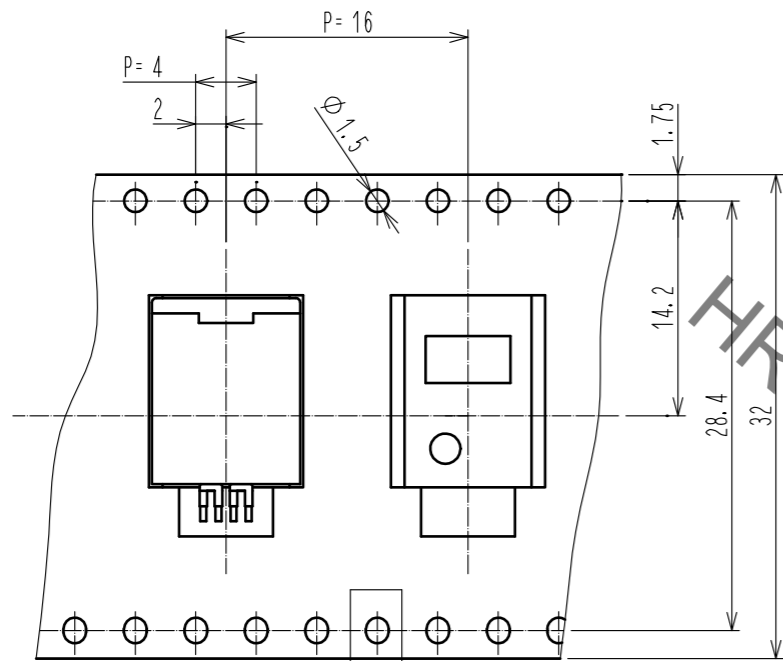


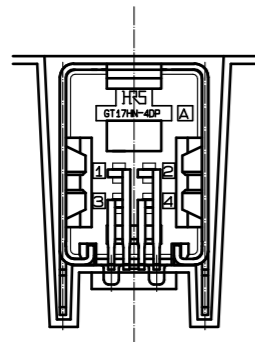


Oct. 1.2021 Copyright 2021 HIROSE ELECTRIC CO., LTD. All Rights Reserved.  
 In case of consideration for using Automotive equipment / device which demand high reliability, kindly contact our sales window correspondents.

REEL DIRECTION 

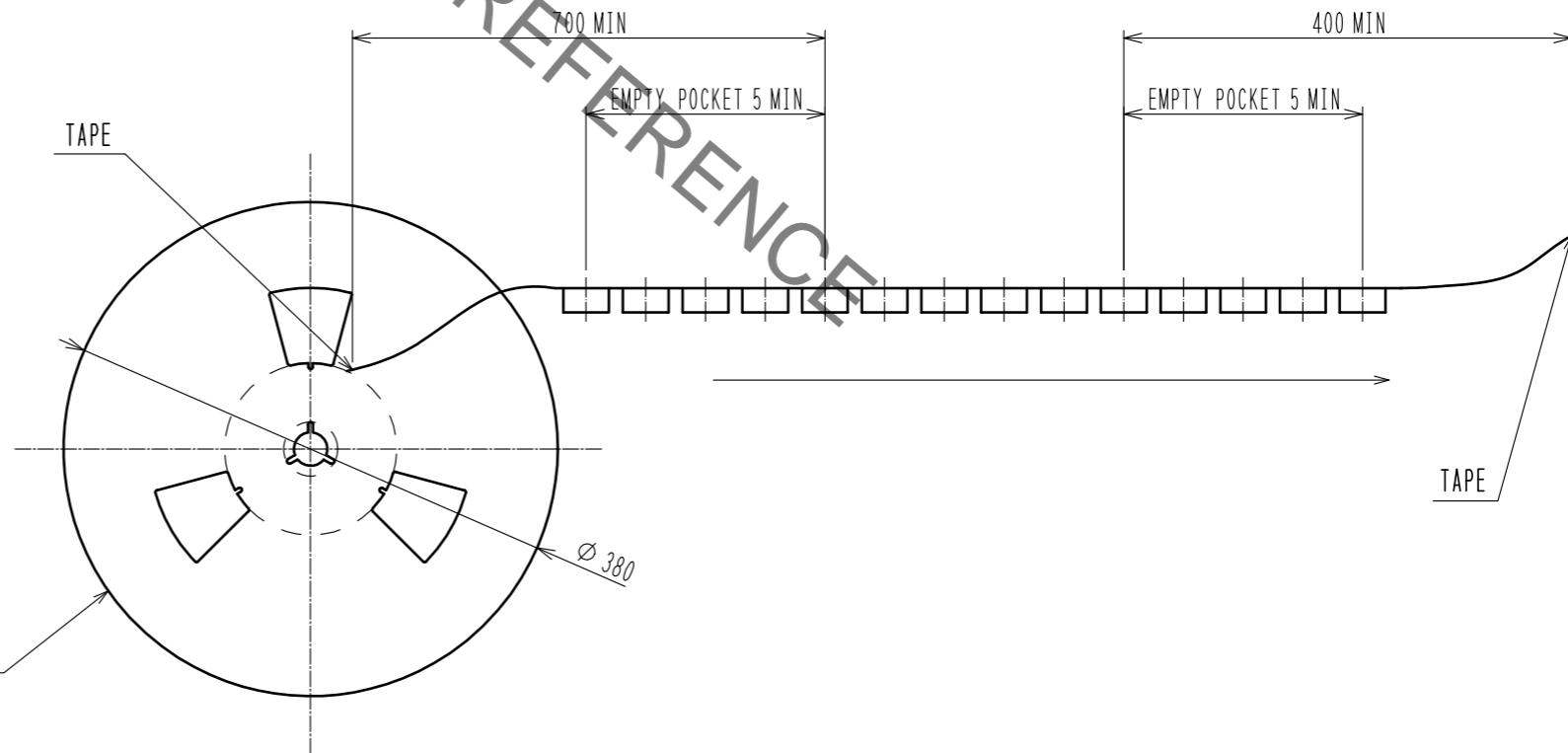



E (5:1)



PACKAGE STYLE  
300PCS/REEL

 PLASTIC REEL



<b>HRS</b>	DRAWING NO.	EDC-169398-58-00	 2/2
	PART NO.	GT17HN2-4DP-2H(C)(58)	
	CODE NO.	CL767-0295-1-58	