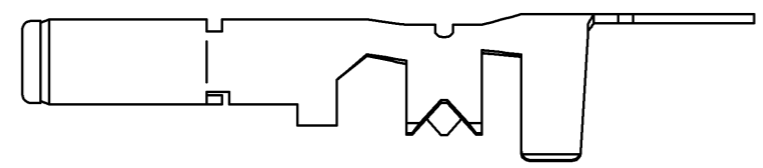
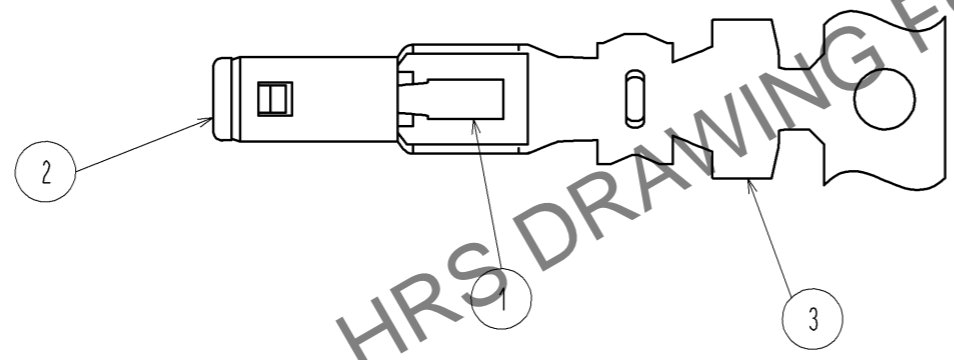
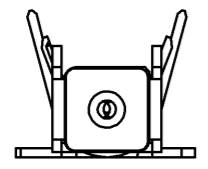
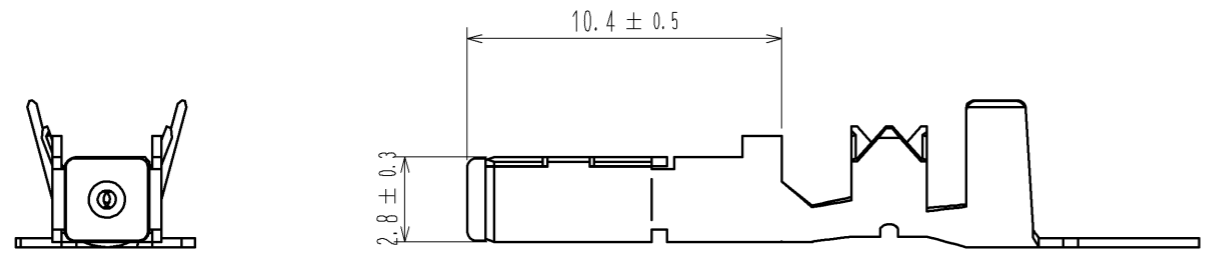
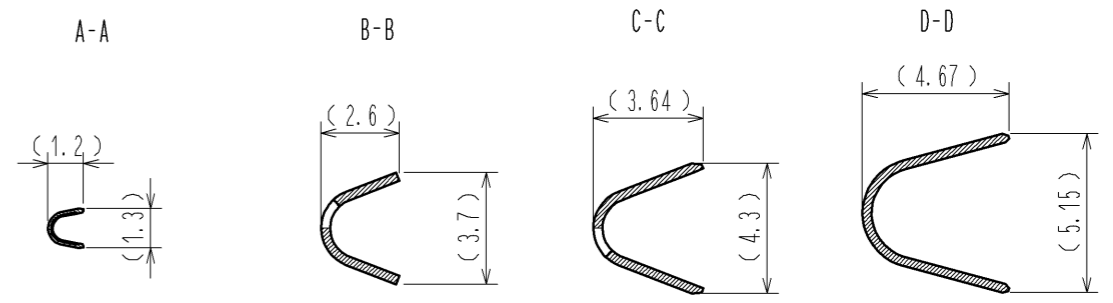
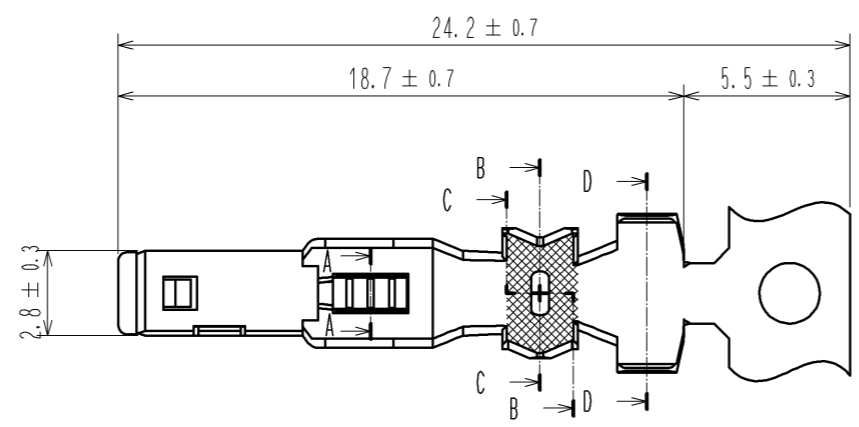


Feb.1.2025 Copyright 2025 HIROSE ELECTRIC CO., LTD. All Rights Reserved.  
In case of consideration for using Automotive equipment / device which demand high reliability, kindly contact our sales window correspondents.

ELV. RoHS COMPLIANT



HRS DRAWING FOR REFERENCE

NOTES  
 1. PER REEL:5500 CONTACTS.  
 2. THIS REEL DIAMETER SHALL BE  $\phi 800$ . AND CRIMPING MACHINE NEEDS ADDITIONAL PARTS AS CM105/RS-GT.

2	PPS	BLACK						
1	PHOSPHOR BRONZE	TIN PLATED	3	BRASS	TIN PLATED			
NO.	MATERIAL	FINISH . REMARKS	NO.	MATERIAL	FINISH . REMARKS			
UNITS mm			SCALE 4 : 1	COUNT 	DESCRIPTION OF REVISIONS	DESIGNED	CHECKED	DATE
<b>HRS</b> HIROSE ELECTRIC CO., LTD.		APPROVED : AR. SHIRAI	10.02.12	DRAWING NO. EDC3-167458-00				
		CHECED : NH. NAKATA	10.02.09	PART NO. GT21-2428/1.6-2.9SCF				
		DESIGNED : MO. OKADA	10.02.09	CODE NO. CL771-0004-6-00				
		DRAWN : MO. OKADA	10.02.09					